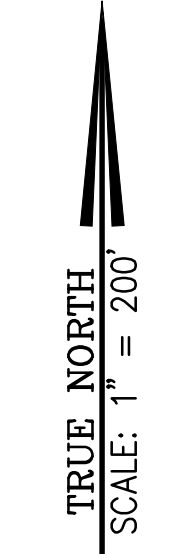
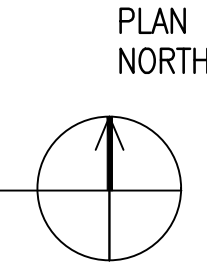


GENERAL PLAN
SCALE: 1" = 200'

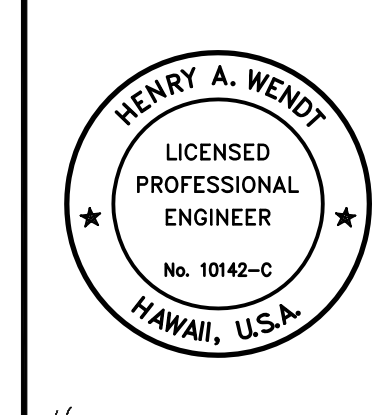


DK LOWERY & RUBOTA CONSULTING
Asst. Manager / Planning, Architecture/Engineering/Interior - Commercial/Industrial
1000 Kalia Road, Suite 1010
Honolulu, Hawaii 96813

APP#	DATE	DESCRIPTION
1	6/7/2022	APP#
2		
3		
4		
5		
6		
7		
8		
9		
10		

5/25/2022
DESIGN AND PROJECT MANAGEMENT BRANCH
DES: CP DRAW: RAL CHECK: HW

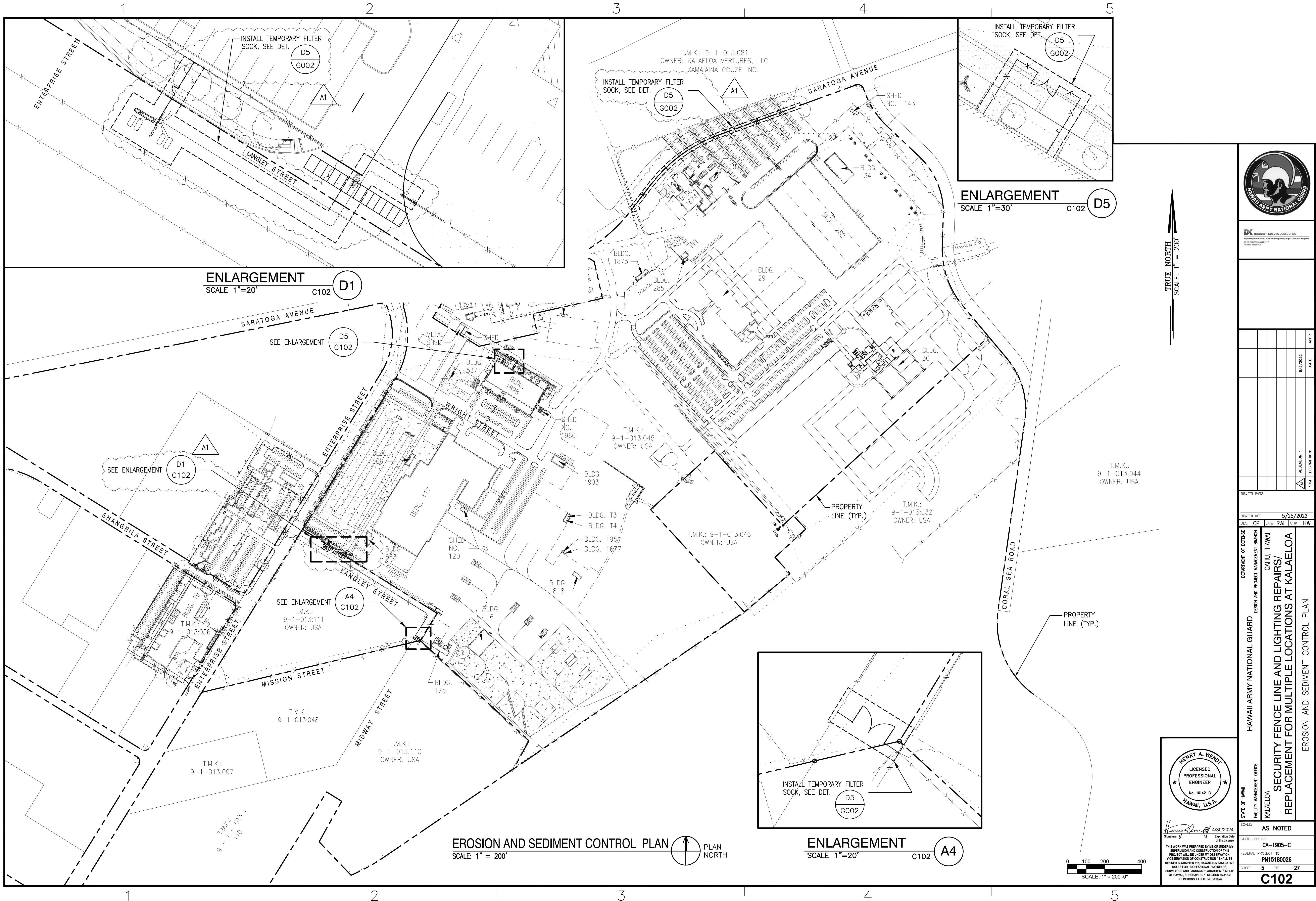
DEPARTMENT OF DEFENSE
HAWAII ARMY NATIONAL GUARD
DESIGN AND PROJECT MANAGEMENT BRANCH
OAHU, HAWAII
KALAELOA
SECURITY FENCE LINE AND LIGHTING REPAIRS/
REPLACEMENT FOR MULTIPLE LOCATIONS AT KALAELOA
GENERAL PLAN



Signature: Henry A. Wendt
4/30/2024
Expiration Date of the License

SCALE: AS NOTED
STATE JOB NO. CA-1905-C
FEDERAL PROJECT NO. PN15180026
SHEET 4 OF 27
C101

THIS WORK WAS PREPARED BY ME OR UNDER MY SUPERVISION AND CONSTRUCTION OF THIS PROJECT WILL BE UNDER MY OBSERVATION. OBSERVATION OF CONSTRUCTION SHALL BE DEFINED IN CHAPTER 15, HAWAII ADMINISTRATIVE RULES FOR PROFESSIONAL ENGINEERS, SURVEYORS AND LANDSCAPE ARCHITECTS STATE OF HAWAII, SUBCHAPTER 1, SECTION 16-115.2 (DEFINITIONS, EFFECTIVE 6/29/94)



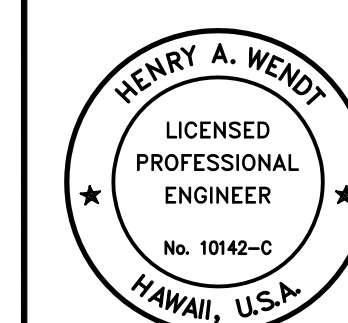
ENLARGEMENT
SCALE 1"=20'
C102 D1

ENLARGEMENT
SCALE 1"=30'
C102 D5

ENLARGEMENT
SCALE 1"=20'
C102 A4

EROSION AND SEDIMENT CONTROL PLAN
SCALE: 1" = 200'
PLAN NORTH

TRUE NORTH
SCALE: 1" = 200'



Signature: *Henry A. Wendt* 4/30/2024
Expiration Date of the License
THIS WORK WAS PREPARED BY ME OR UNDER MY SUPERVISION AND CONSTRUCTION OF THIS PROJECT WILL BE DONE BY OBSERVATION. OBSERVATION OF CONSTRUCTION SHALL BE DEFINED IN CHAPTER 15, HAWAII ADMINISTRATIVE RULES FOR PROFESSIONAL ENGINEERS, SURVEYORS AND LANDSCAPE ARCHITECTS STATE OF HAWAII, SUBCHAPTER 1, SECTION 16-152 (DEFINITIONS, EFFECTIVE 6/29/94)



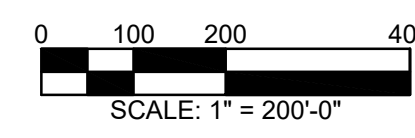
DK OWNERS + RUBOTA CONSULTING
Project Management | Planning | Architecture/Engineering | Surveying | Environmental Engineering
1000 Kalia Road, Suite 1012
Honolulu, Hawaii 96813

NO.	DATE	DESCRIPTION	BY	APPR.
1	6/7/2022			

SUBMITTAL DATE: 5/25/2022
DES: CP DRAW: RAL CHECK: HW

DEPARTMENT OF DEFENSE
DESIGN AND PROJECT MANAGEMENT BRANCH
OAHU, HAWAII
HAWAII ARMY NATIONAL GUARD
FACILITY MANAGEMENT OFFICE
KALAELOA
SECURITY FENCE LINE AND LIGHTING REPAIRS/
REPLACEMENT FOR MULTIPLE LOCATIONS AT KALAELOA
EROSION AND SEDIMENT CONTROL PLAN

SCALE: AS NOTED
STATE JOB NO.: CA-1905-C
FEDERAL PROJECT NO.: PN15180026
SHEET 5 OF 27
C102



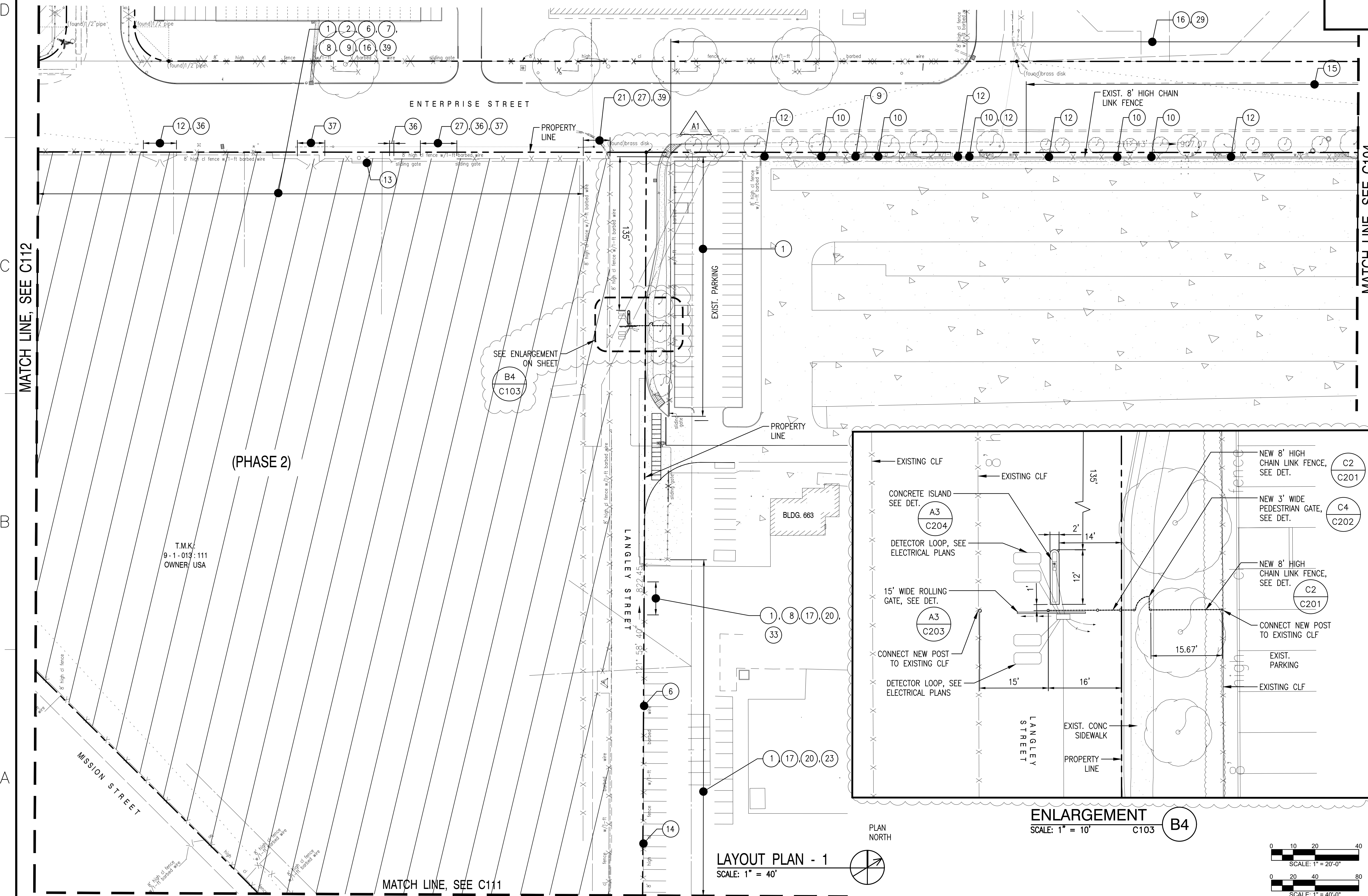
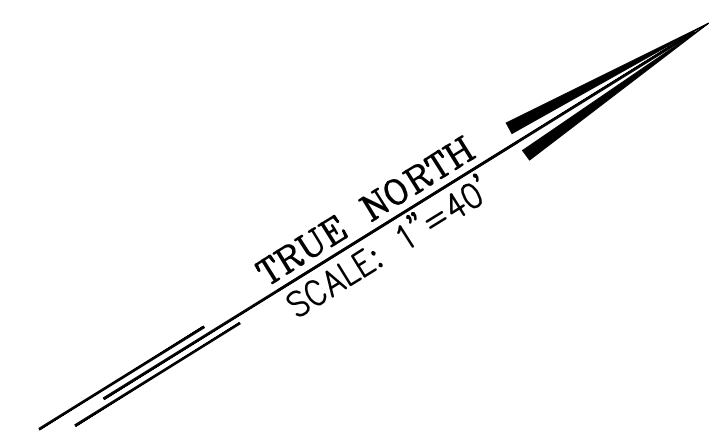
1

2

3

4

5



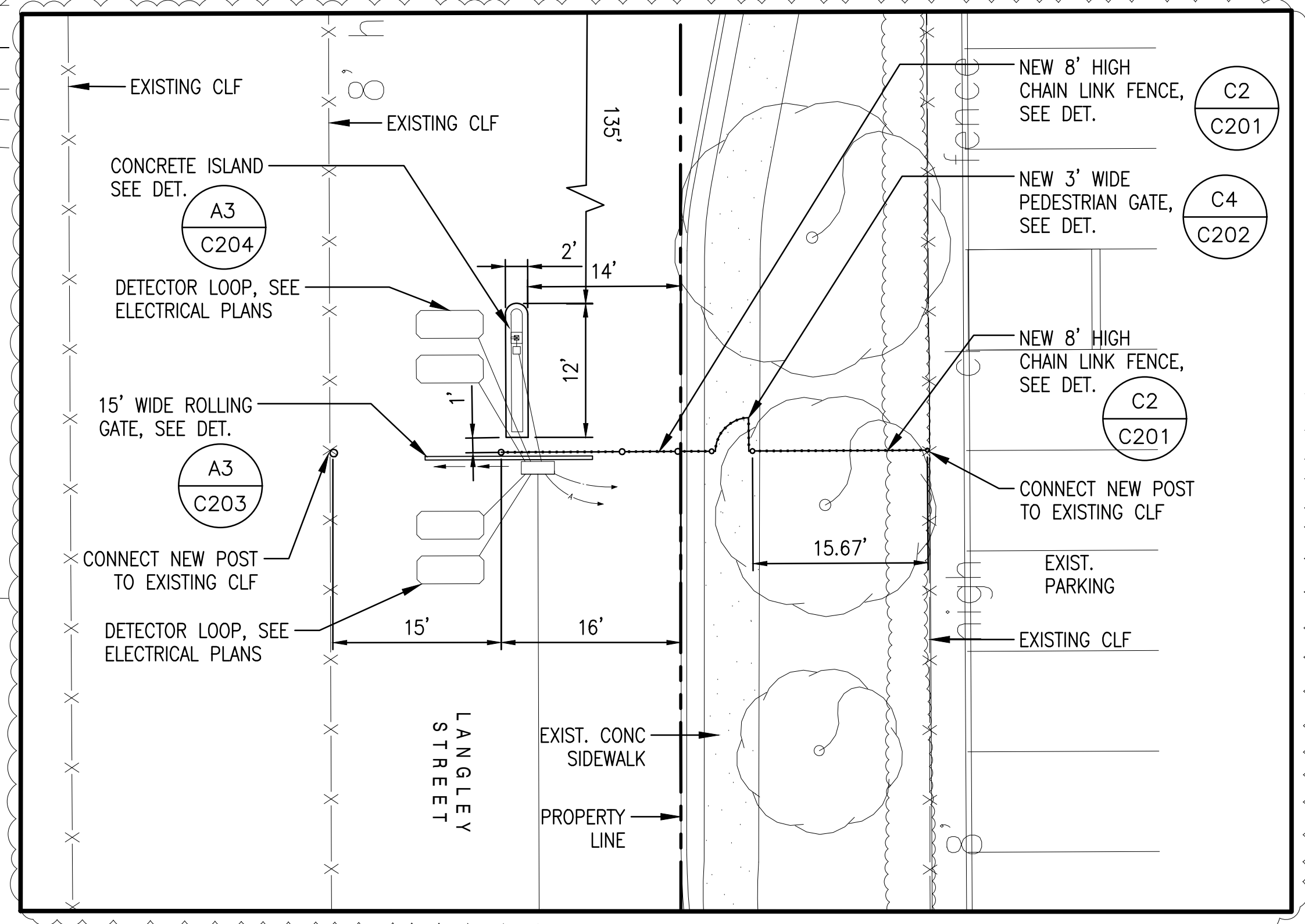
MATCH LINE, SEE C112

MATCH LINE, SEE C104

(PHASE 2)

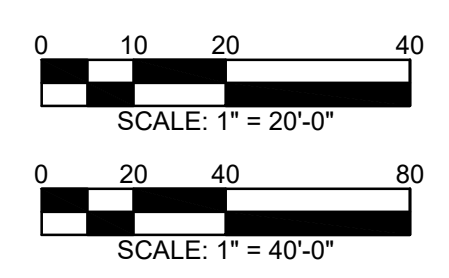
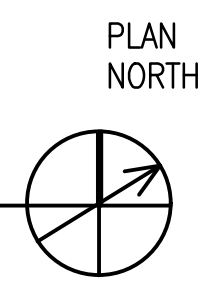
T.M.K.
9-1-013-111
OWNER/ USA

SEE ENLARGEMENT
ON SHEET
B4
C103



ENLARGEMENT
SCALE: 1" = 10'
C103 B4

LAYOUT PLAN - 1
SCALE: 1" = 40'



DK CONERS + RUBOTA CONSULTING
 4001 Kalia Road, Suite 100
 Honolulu, Hawaii 96815
 Phone: (808) 943-1111
 Fax: (808) 943-1112
 Email: info@dkconers.com

NO.	DATE	DESCRIPTION
1	4/7/2022	APPR
2		
3		
4		
5		
6		
7		
8		
9		
10		
11		
12		
13		
14		
15		
16		
17		
18		
19		
20		
21		
22		
23		
24		
25		
26		
27		
28		
29		
30		
31		
32		
33		
34		
35		
36		
37		
38		
39		

DATE: 5/25/2022

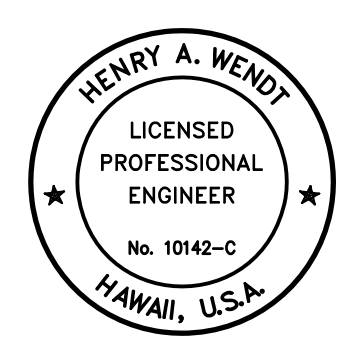
DESIGNER: CP DRAWN: RAI CHECK: HW

DEPARTMENT OF DEFENSE
DESIGN AND PROJECT MANAGEMENT BRANCH
OAHU, HAWAII

HAWAII ARMY NATIONAL GUARD
FACILITY MANAGEMENT OFFICE
KALAELOA

SECURITY FENCE LINE AND LIGHTING REPAIRS/
REPLACEMENT FOR MULTIPLE LOCATIONS AT KALAELOA

LAYOUT PLAN - 1



4/30/2024

THIS WORK WAS PREPARED BY ME OR UNDER MY SUPERVISION AND CONSTRUCTION OF THIS PROJECT WILL BE DONE BY OBSERVATION. OBSERVATION OF CONSTRUCTION SHALL BE DEFINED IN CHAPTER 15, HAWAII ADMINISTRATIVE RULES FOR PROFESSIONAL ENGINEERS, SURVEYORS AND LANDSCAPE ARCHITECTS STATE OF HAWAII, SUBCHAPTER 1, SECTION 16-152.2 (DEFINITIONS, EFFECTIVE 6/29/04)

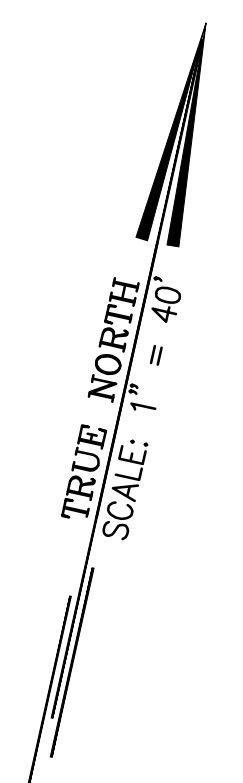
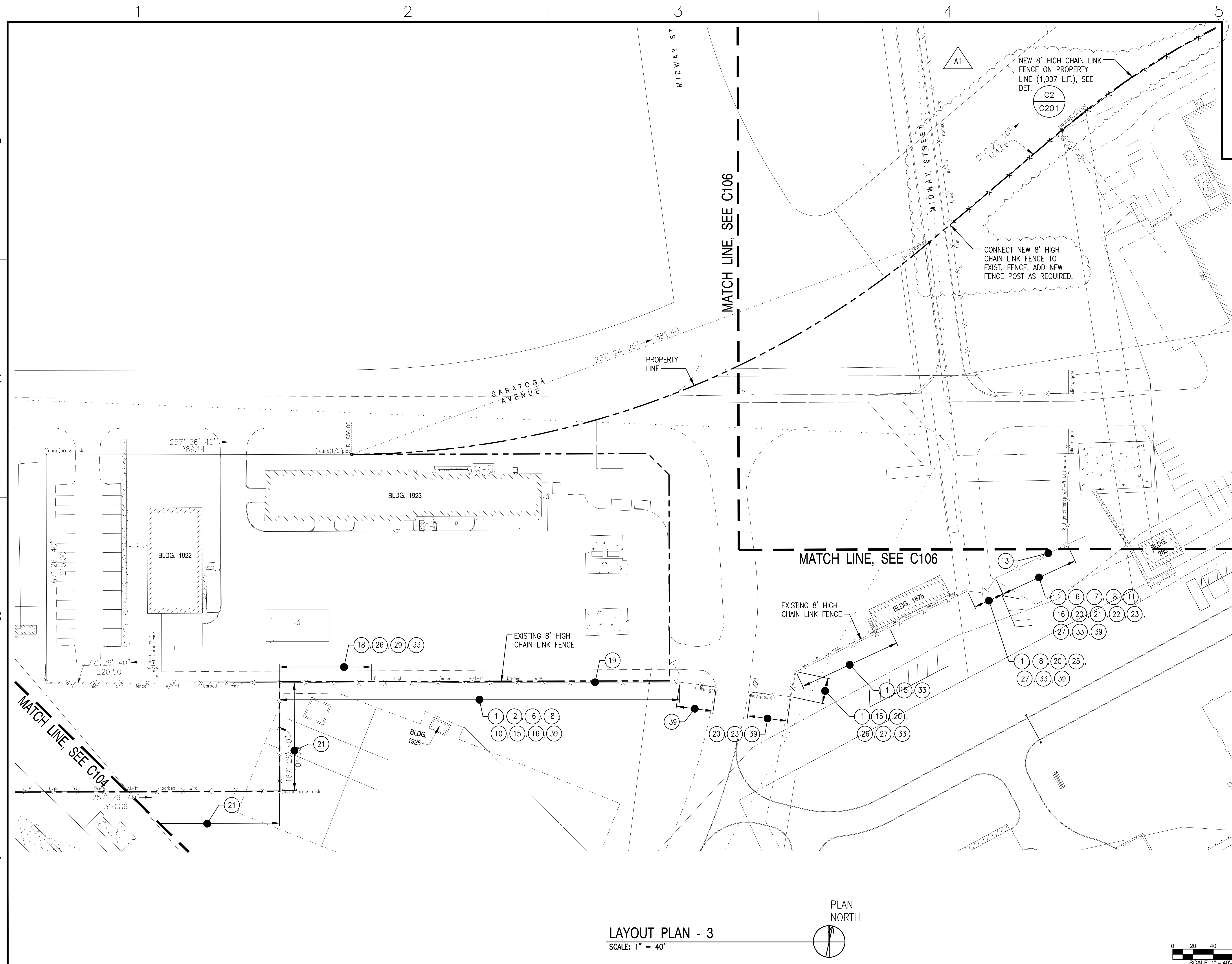
SCALE: AS NOTED

STATE JOB NO. CA-1905-C

FEDERAL PROJECT NO. PN15180026

SHEET 6 OF 27

C103



DK LOWERY & RUBOTA CONSULTING
 4441 Kalia Road, Suite 101
 Honolulu, Hawaii 96815
 Phone: (808) 943-1111
 Fax: (808) 943-1112

DATE	DESCRIPTION	APPR
6/7/2022		

DESIGNER	CP
CHECKER	RAI
DATE	5/25/2022
SCALE	HW

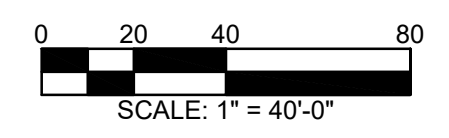
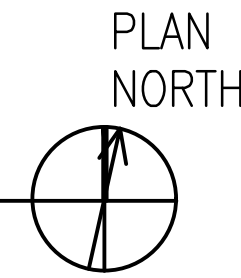
DEPARTMENT OF DEFENSE
 HAWAII ARMY NATIONAL GUARD
 OAHU, HAWAII
 SECURITY FENCE LINE AND LIGHTING REPAIRS/
 REPLACEMENT FOR MULTIPLE LOCATIONS AT KALAELOA
 LAYOUT PLAN - 3

HENRY A. WENDT
 LICENSED PROFESSIONAL ENGINEER
 No. 10142-C
 HAWAII, U.S.A.

Signature: *Henry Wendt* 4/30/2024
 Expiration Date of the License

THIS WORK WAS PREPARED BY ME OR UNDER MY SUPERVISION AND CONSTRUCTION OF THIS PROJECT WILL BE UNDER MY OBSERVATION. OBSERVATION OF CONSTRUCTION SHALL BE DEFINED IN CHAPTER 15, HAWAII ADMINISTRATIVE RULES FOR PROFESSIONAL ENGINEERS, SURVEYORS AND LANDSCAPE ARCHITECTS STATE OF HAWAII, SUBCHAPTER 1, SECTION 16-115.2 (DEFINITIONS, EFFECTIVE 6/29/04)

LAYOUT PLAN - 3
 SCALE: 1" = 40'



1

2

3

4

5

D

C

B

A

D

C

B

A

CURVE DATA

1

$D_a = 7.45'$
 $R = 769.50'$
 $\Delta = 32^\circ 37' 50''$
 $T = 225.24'$
 $L = 438.24'$
 $E = 32.29'$

A1

A1

NEW 8' HIGH CHAIN LINK FENCE ON PROPERTY LINE (1,007 L.F.), SEE DET.
C2
C201

CONNECT NEW 8' HIGH CHAIN LINK FENCE TO EXIST. FENCE. ADD NEW FENCE POST AS REQUIRED.

EXIST. FENCE

EXIST. FENCE

PROPERTY LINE

1

233°41'05"

432.34'

233°41'05"

432.34'

233°41'05"

432.34'

233°41'05"

432.34'

233°41'05"

432.34'

233°41'05"

432.34'

233°41'05"

432.34'

233°41'05"

432.34'

233°41'05"

432.34'

233°41'05"

432.34'

233°41'05"

432.34'

233°41'05"

432.34'

233°41'05"

432.34'

233°41'05"

432.34'

233°41'05"

432.34'

233°41'05"

432.34'

233°41'05"

2 7 15 28
32 33 39

39

39

2 29

39

39

39

39

39

39

39

39

39

39

39

39

39

39

39

39

39

39

39

39

39

39

39

39

39

39

39

39

39

39

39

39

39

39

39

39

39

MIDWAY STREET

MIDWAY STREET

SARATOGA AVENUE

BLDG. 1874

BLDG. 1876

R=769.50'

R=769.50'

39.96'

39.96'

39.96'

39.96'

39.96'

39.96'

TRUE NORTH
SCALE: 1" = 40'

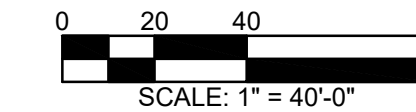
MATCH LINE, SEE C107

MATCH LINE, SEE C105

MATCH LINE, SEE C105

LAYOUT PLAN - 4
SCALE: 1" = 40'

PLAN NORTH



DK LOWERY & RUBOTA CONSULTING
Professional Engineers & Surveyors
1000 Kalia Road, Suite 100
Honolulu, Hawaii 96813

NO.	SYMBOL	DESCRIPTION	DATE	APPROVED
1	A1	ASSEMBLY 1	6/7/2022	

SUBMITAL PHASE

SUBMITAL DATE: 5/25/2022

DESIGN: CP DRAW: RAI CHECK: HW

DEPARTMENT OF DEFENSE

DESIGN AND PROJECT MANAGEMENT BRANCH

OAHU, HAWAII

KALAELOA

SECURITY FENCE LINE AND LIGHTING REPAIRS/
REPLACEMENT FOR MULTIPLE LOCATIONS AT KALAELOA

LAYOUT PLAN - 4

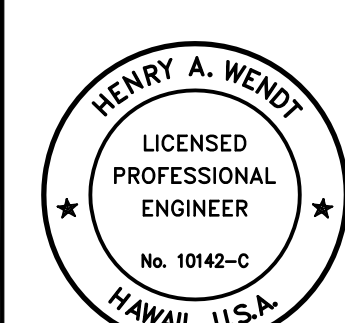
SCALE: AS NOTED

STATE JOB NO. CA-1905-C

FEDERAL PROJECT NO. PN15180026

SHEET 9 OF 27

C106



Signature: Henry A. Wendt 4/30/2024

Expiration Date of the License

THIS WORK WAS PREPARED BY ME OR UNDER MY SUPERVISION AND CONSTRUCTION OF THIS PROJECT WILL BE UNDER MY OBSERVATION. OBSERVATION OF CONSTRUCTION SHALL BE DEFINED IN CHAPTER 15, HAWAII ADMINISTRATIVE RULES FOR PROFESSIONAL ENGINEERS, SURVEYORS AND LANDSCAPE ARCHITECTS STATE OF HAWAII, SUBCHAPTER 1, SECTION 16-152 (DEFINITIONS, EFFECTIVE 6/29/94)

1

2

3

4

5

D

C

B

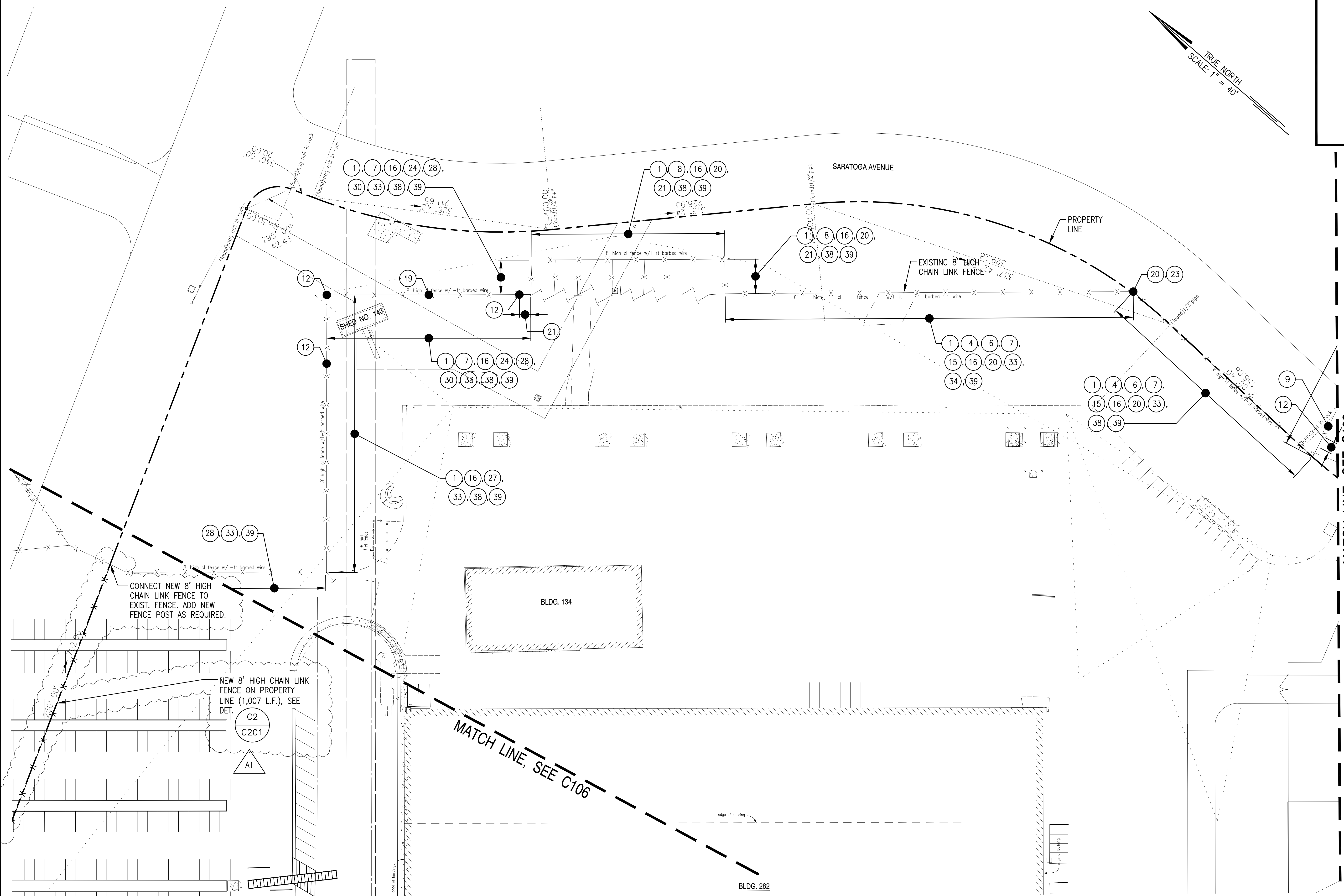
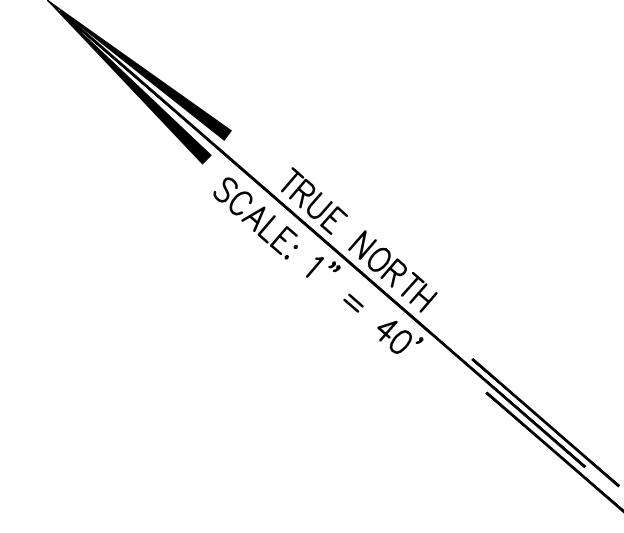
A

D

C

B

A



MATCH LINE, SEE C108

MATCH LINE, SEE C106



DK CONERS + KUBOTA CONSULTING
 4000 Kalia Road, Suite 1000
 Honolulu, Hawaii 96815

SYN	DESCRIPTION	DATE	APPR
1	AS NOTED	6/7/2022	

SUBMITTAL PHASE

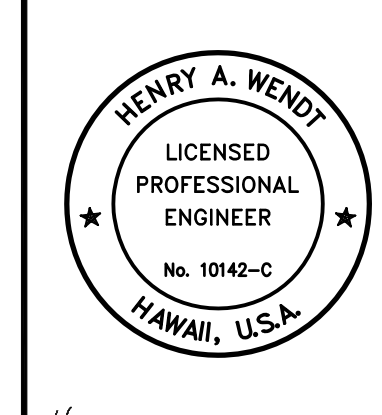
SUBMITTAL DATE: 5/25/2022
 DES: CP DRAW: RAL CHECK: HW

DEPARTMENT OF DEFENSE
 DESIGN AND PROJECT MANAGEMENT BRANCH
 OAHU, HAWAII

HAWAII ARMY NATIONAL GUARD
 FACILITY MANAGEMENT OFFICE
 KALAELOA

SECURITY FENCE LINE AND LIGHTING REPAIRS/
 REPLACEMENT FOR MULTIPLE LOCATIONS AT KALAELOA

LAYOUT PLAN - 5



Signature: Henry A. Wendt
 Date: 4/30/2024
 Expiration Date of the License:

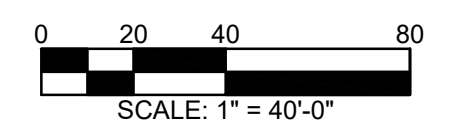
THIS WORK WAS PREPARED BY ME OR UNDER MY SUPERVISION AND CONSTRUCTION OF THIS PROJECT WILL BE UNDER MY OBSERVATION. I OBSERVATION OF CONSTRUCTION SHALL BE DEFINED IN CHAPTER 15, HAWAII ADMINISTRATIVE RULES FOR PROFESSIONAL ENGINEERS, SURVEYORS AND LANDSCAPE ARCHITECTS STATE OF HAWAII, SUBCHAPTER 1, SECTION 16-151.2 (DEFINITIONS, EFFECTIVE 6/29/14)

SCALE: AS NOTED

STATE JOB NO.: CA-1905-C
 FEDERAL PROJECT NO.: PN15180026

SHEET 10 OF 27
C107

LAYOUT PLAN - 5
 SCALE: 1" = 40'



1

2

3

4

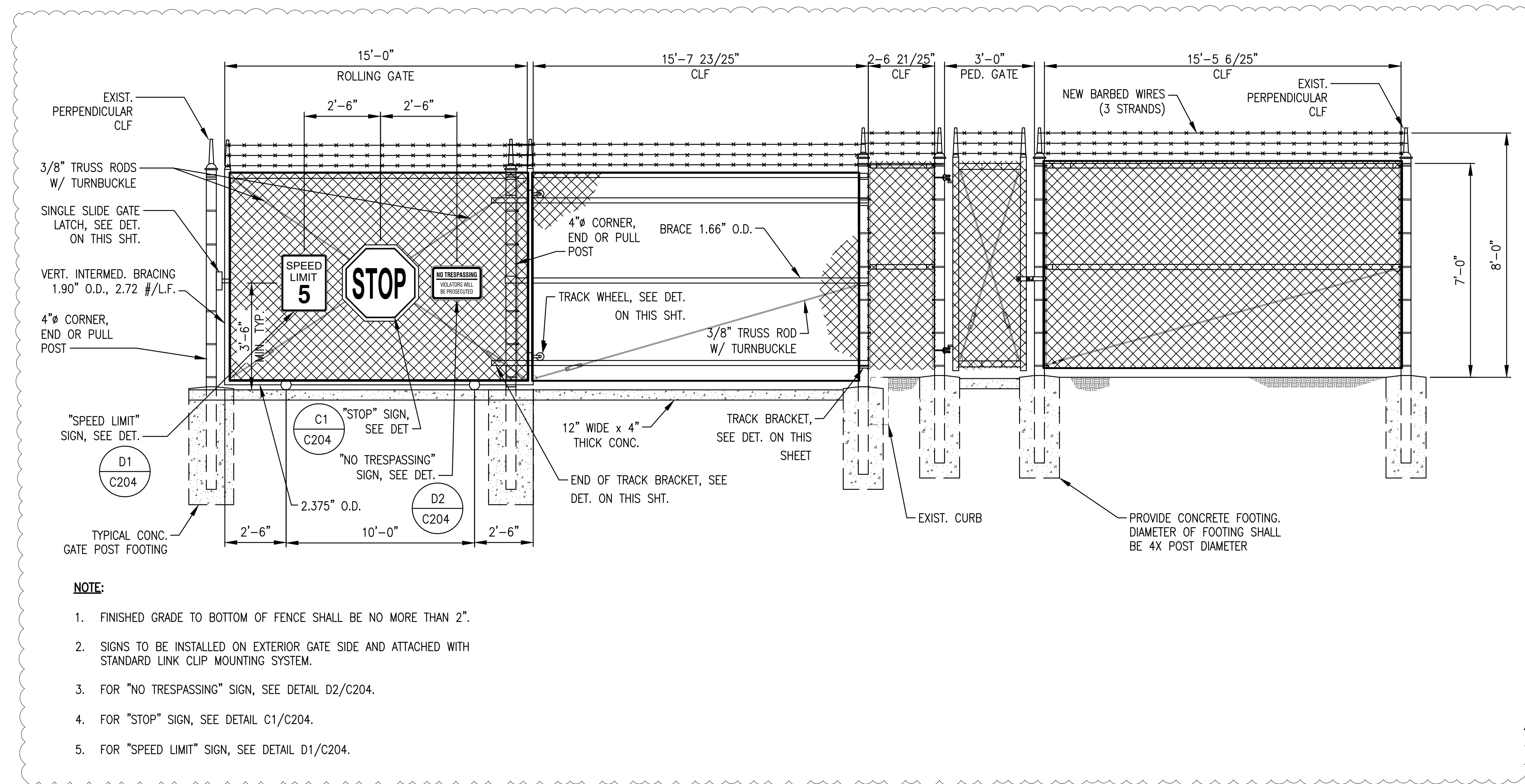
5

D

C

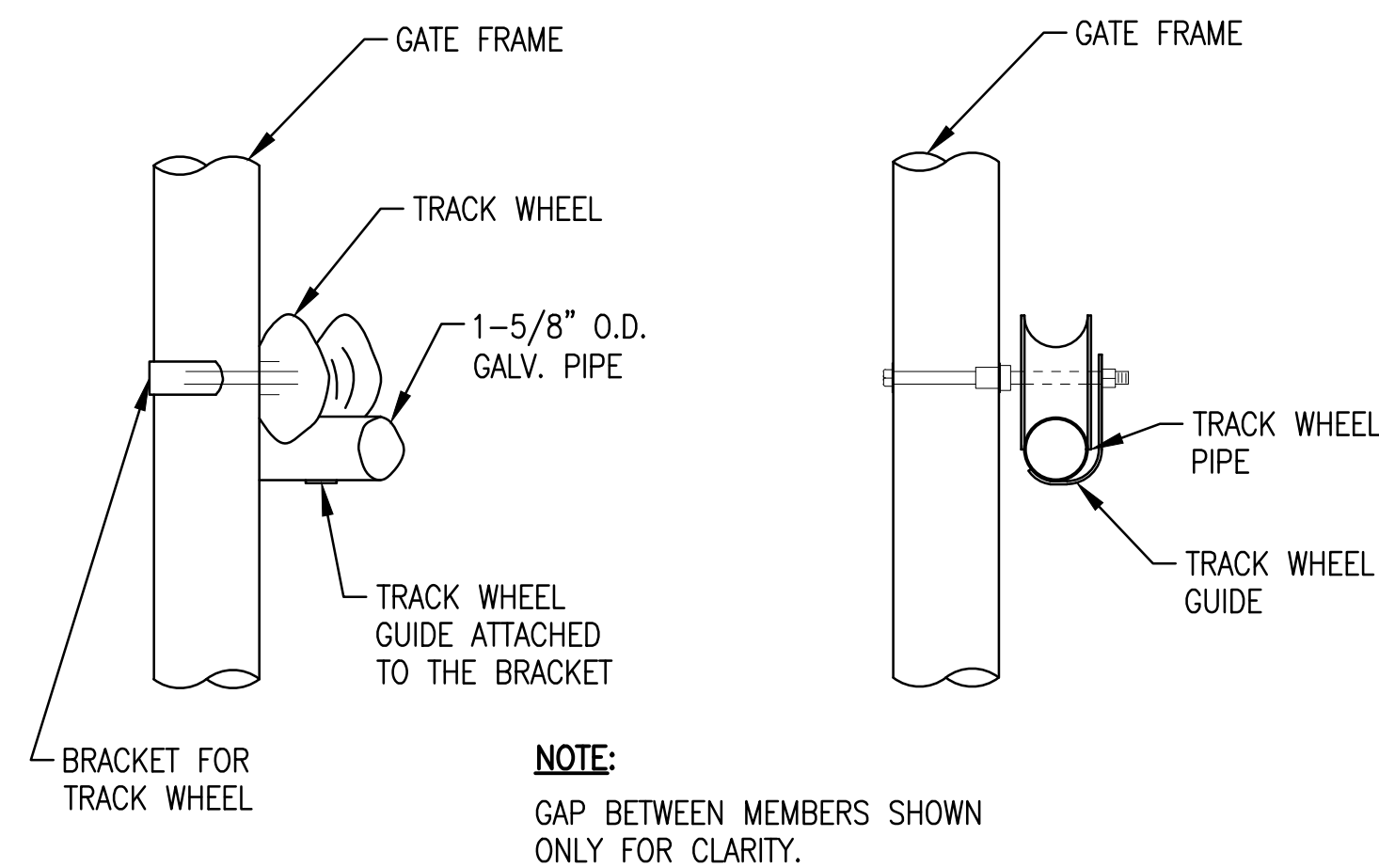
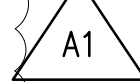
B

A

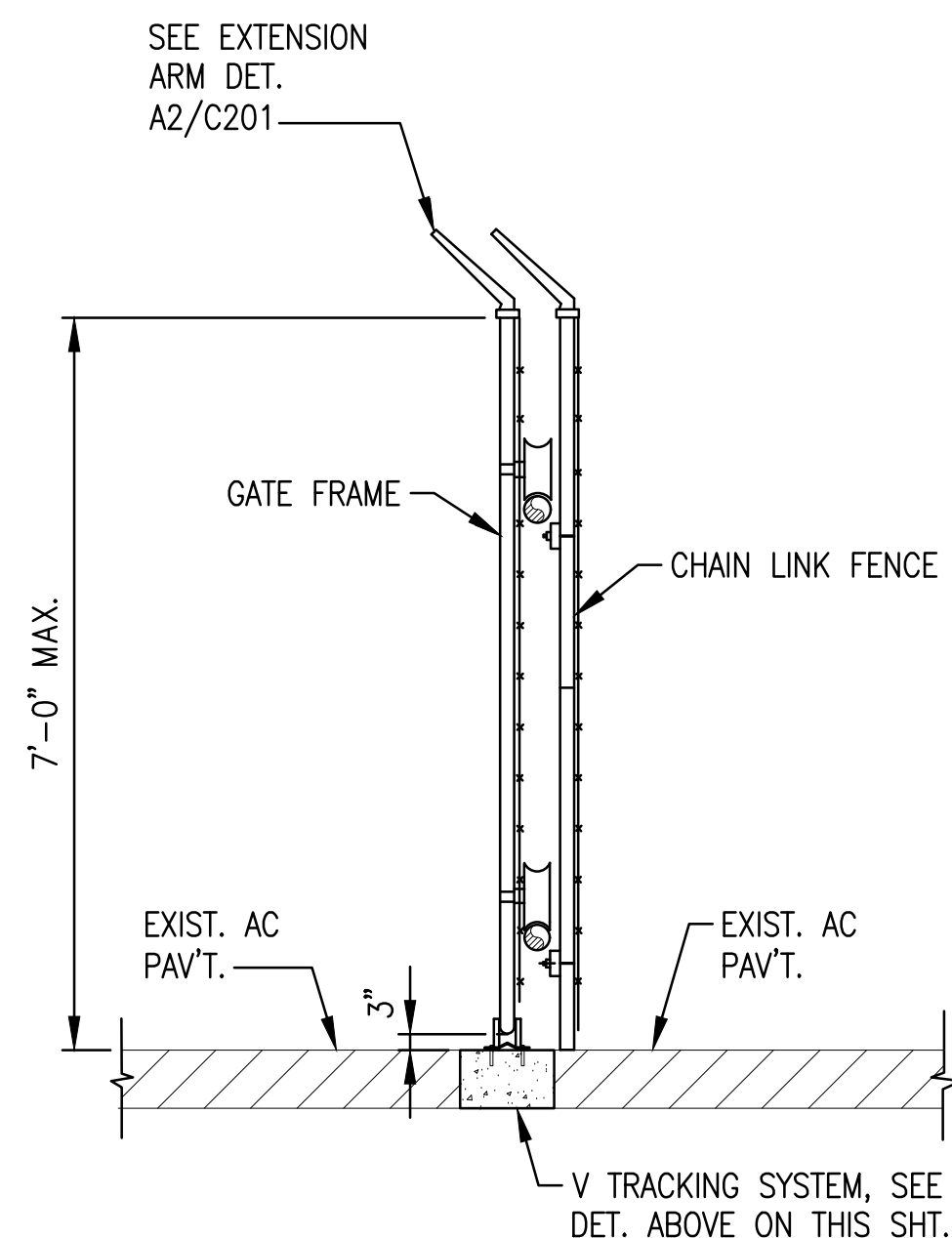


NOTE:

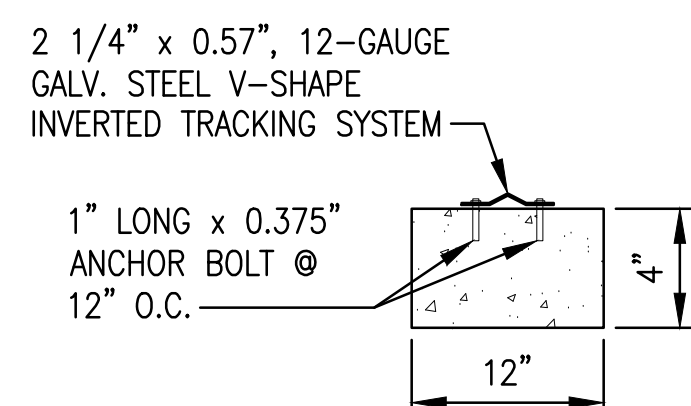
1. FINISHED GRADE TO BOTTOM OF FENCE SHALL BE NO MORE THAN 2".
2. SIGNS TO BE INSTALLED ON EXTERIOR GATE SIDE AND ATTACHED WITH STANDARD LINK CLIP MOUNTING SYSTEM.
3. FOR "NO TRESPASSING" SIGN, SEE DETAIL D2/C204.
4. FOR "STOP" SIGN, SEE DETAIL C1/C204.
5. FOR "SPEED LIMIT" SIGN, SEE DETAIL D1/C204.



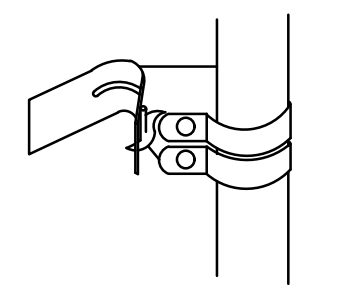
TRACK WHEEL DETAIL
NOT TO SCALE



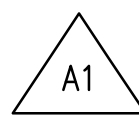
SLIDING GATE PROFILE
NOT TO SCALE



V-TRACKING SYSTEM DETAIL
NOT TO SCALE



LATCH DETAIL
NOT TO SCALE



15' WIDE ROLLING GATE DETAILS
NOT TO SCALE

A3

C103



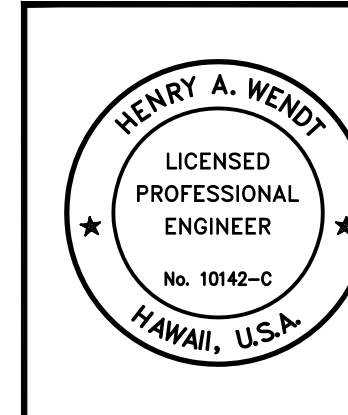
DK SCHWENK & KUBOTA CONSULTING
Professional Engineers & Surveyors, Registered Professional Engineers, Registered Professional Surveyors
1001 Kalia Road, Suite 1010
Honolulu, Hawaii 96813

SYN	DESCRIPTION	DATE	APPR
A1	ADDENDUM 1	6/7/2022	

SUBMITAL DATE: 5/25/2022

DES: CP DRAW: RAI CHECK: HW

DEPARTMENT OF DEFENSE
DESIGN AND PROJECT MANAGEMENT BRANCH
HAWAII ARMY NATIONAL GUARD
OAHU, HAWAII
KALAELOA
SECURITY FENCE LINE AND LIGHTING REPAIRS/
REPLACEMENT FOR MULTIPLE LOCATIONS AT KALAELOA
CHAIN LINK FENCE DETAILS - 3



Signature: Henry A. Wendt 4/30/2024
Expiration Date of the License

THIS WORK WAS PREPARED BY ME OR UNDER MY SUPERVISION AND CONSTRUCTION OF THIS PROJECT WILL BE UNDER MY OBSERVATION. OBSERVATION OF CONSTRUCTION SHALL BE DEFINED IN CHAPTER 15, HAWAII ADMINISTRATIVE RULES FOR PROFESSIONAL ENGINEERS, SURVEYORS AND LANDSCAPE ARCHITECTS STATE OF HAWAII, SUBCHAPTER 1, SECTION 16-115.2 (DEFINITIONS, EFFECTIVE 6/29/04)

SCALE: AS NOTED
STATE JOB NO. CA-1905-C
FEDERAL PROJECT NO. PN15180026
SHEET 18 OF 27
C203

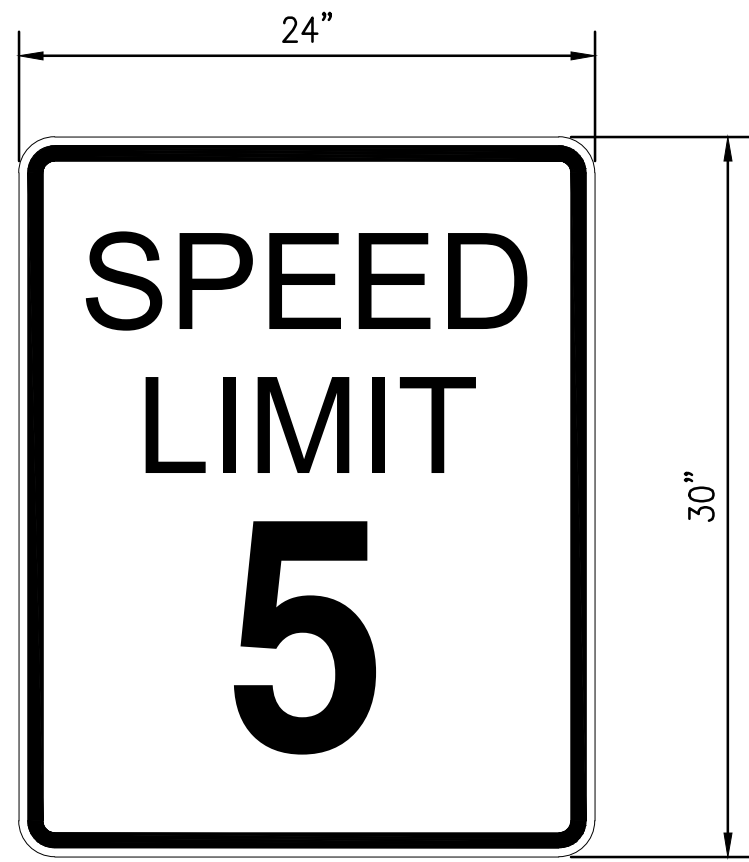
1

2

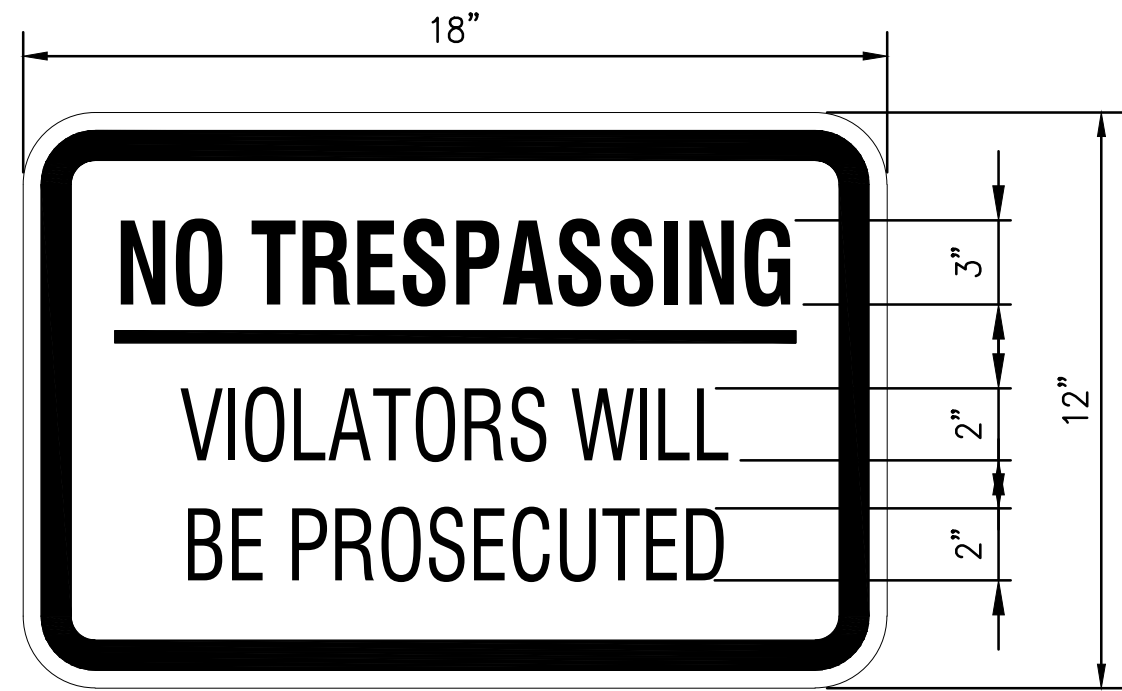
3

4

5



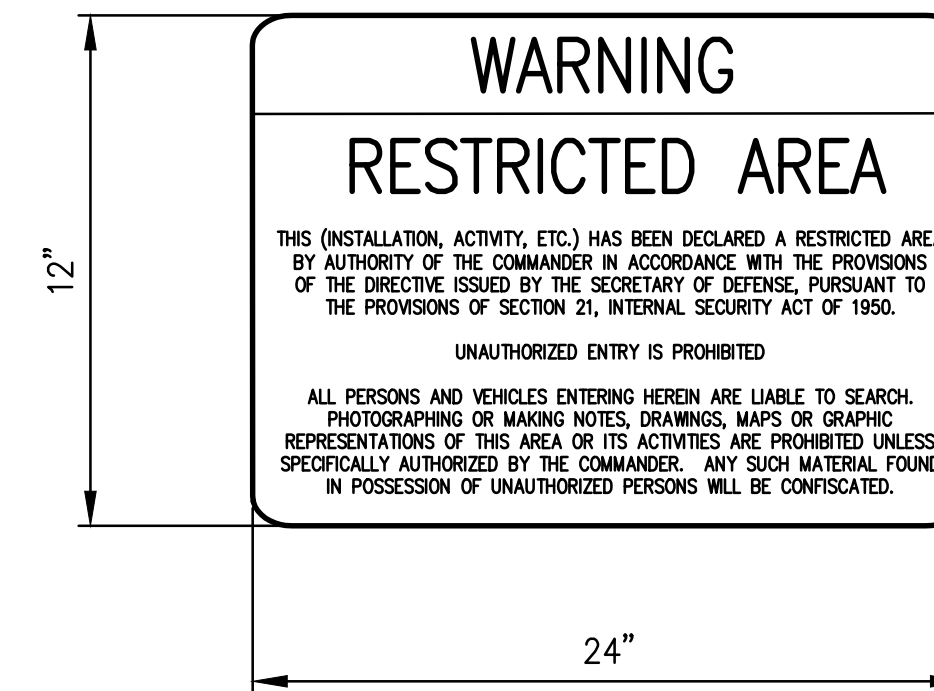
SPEED LIMIT SIGN DETAIL
NOT TO SCALE C111, C203 **D1**



NO TRESPASSING SIGN DETAIL
NOT TO SCALE C111, C202, C203 **D2**



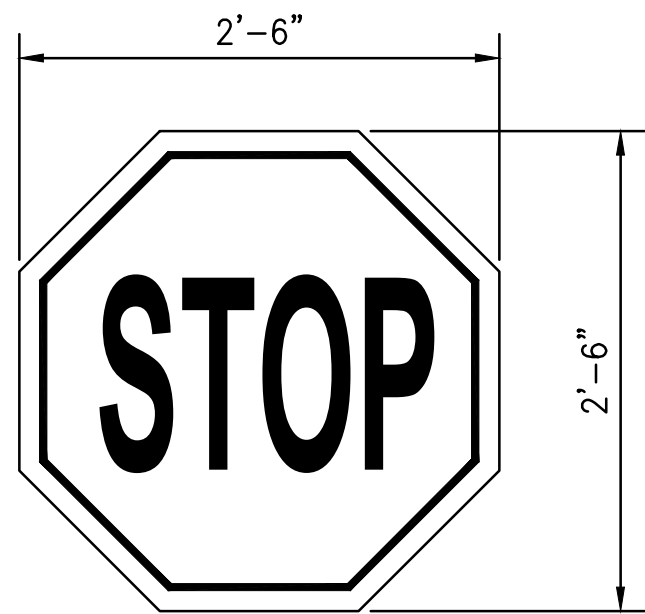
PERIMETER RESTRICTED AREA SIGN DETAIL
NOT TO SCALE C201 **D3**



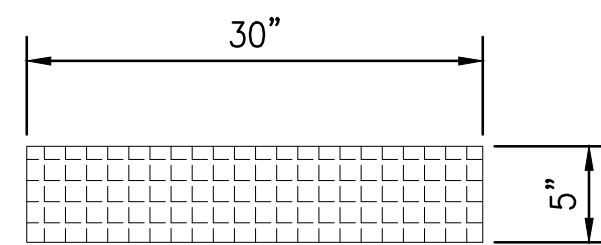
ENTRY RESTRICTED AREA SIGN DETAIL
NOT TO SCALE C202 **D4**

NOTE:

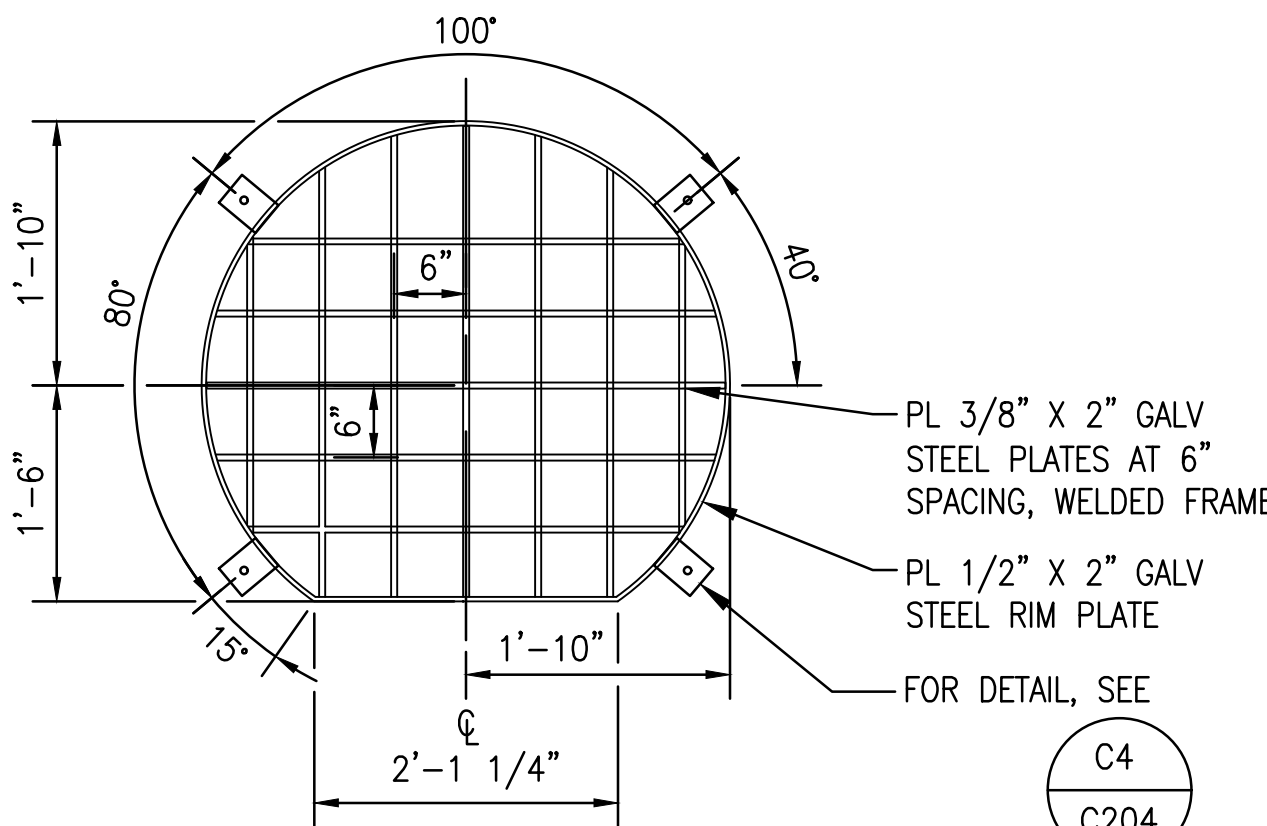
- 0.08" MINIMUM THICKNESS, ALUMINUM SHEET (ASTM-2098, ALLOY 6061-T6, FLAT SHEET).
- HIGH INTENSITY GRADE REFLECTIVE SHEETING.
- ALL SIGNS SHALL BE ATTACHED TO NEW OR AT EXISTING CHAIN LINK FENCE



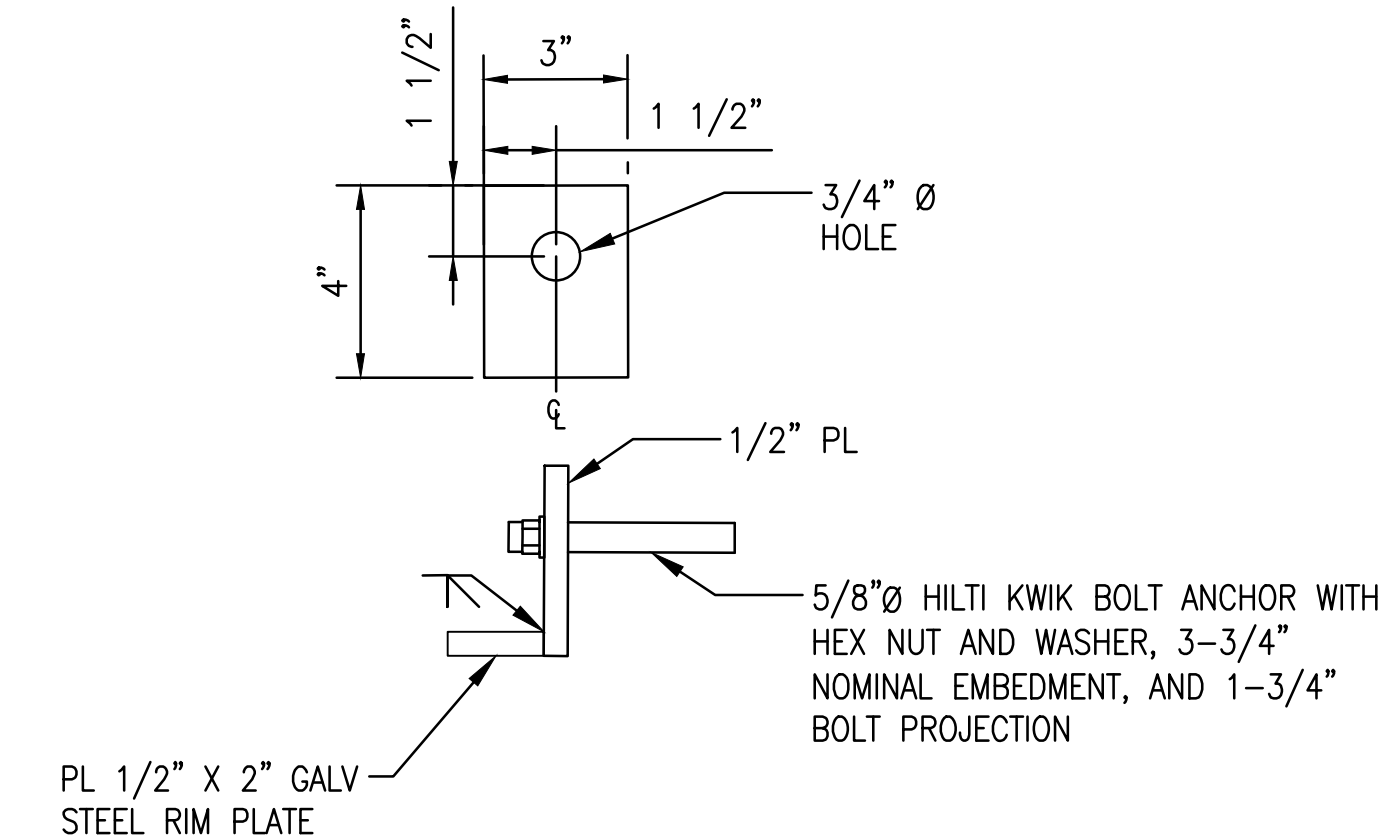
STOP SIGN DETAIL
NOT TO SCALE C111, C203 **C1**



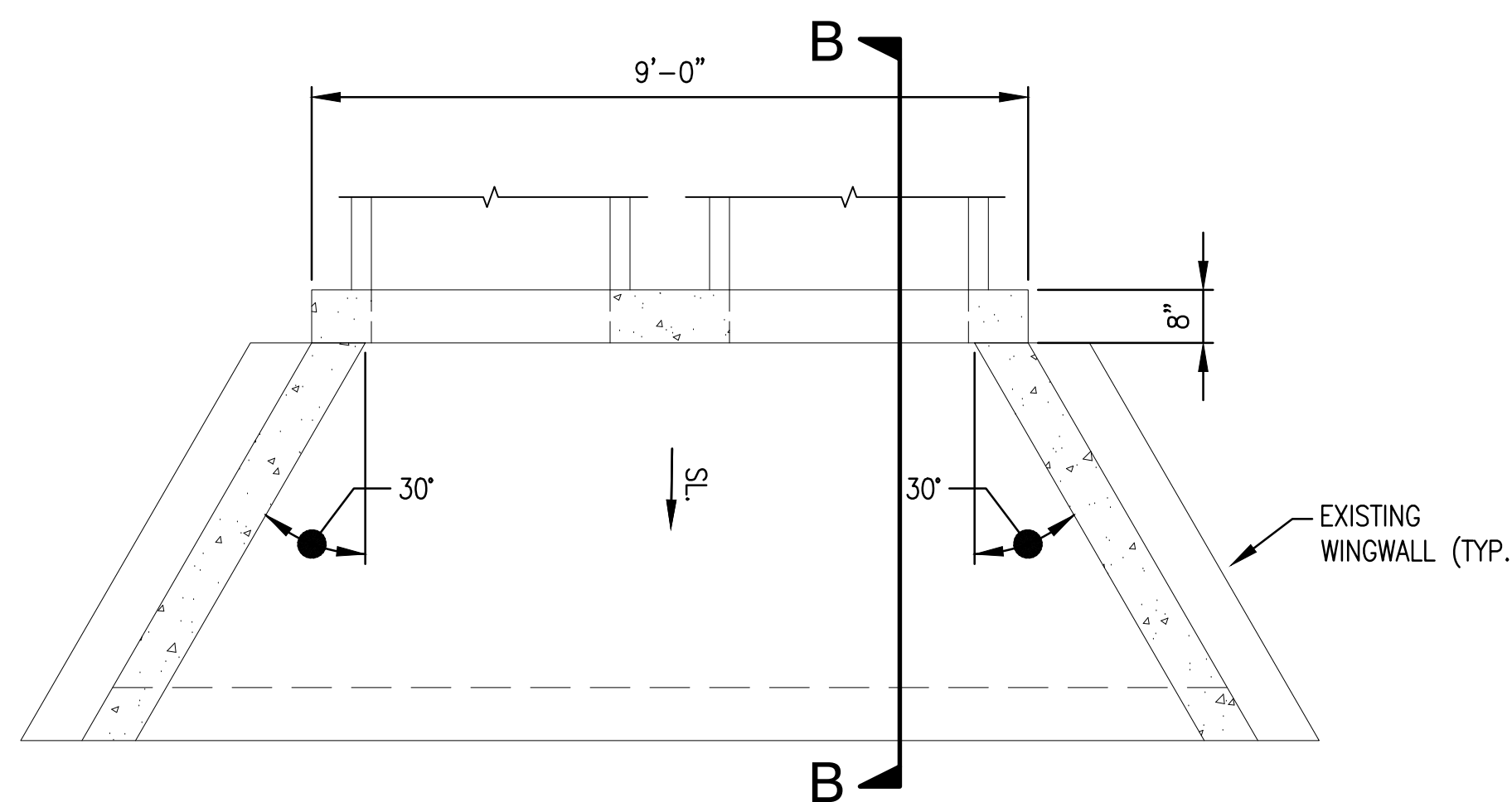
REFLECTOR DETAIL
NOT TO SCALE C111 **C2**



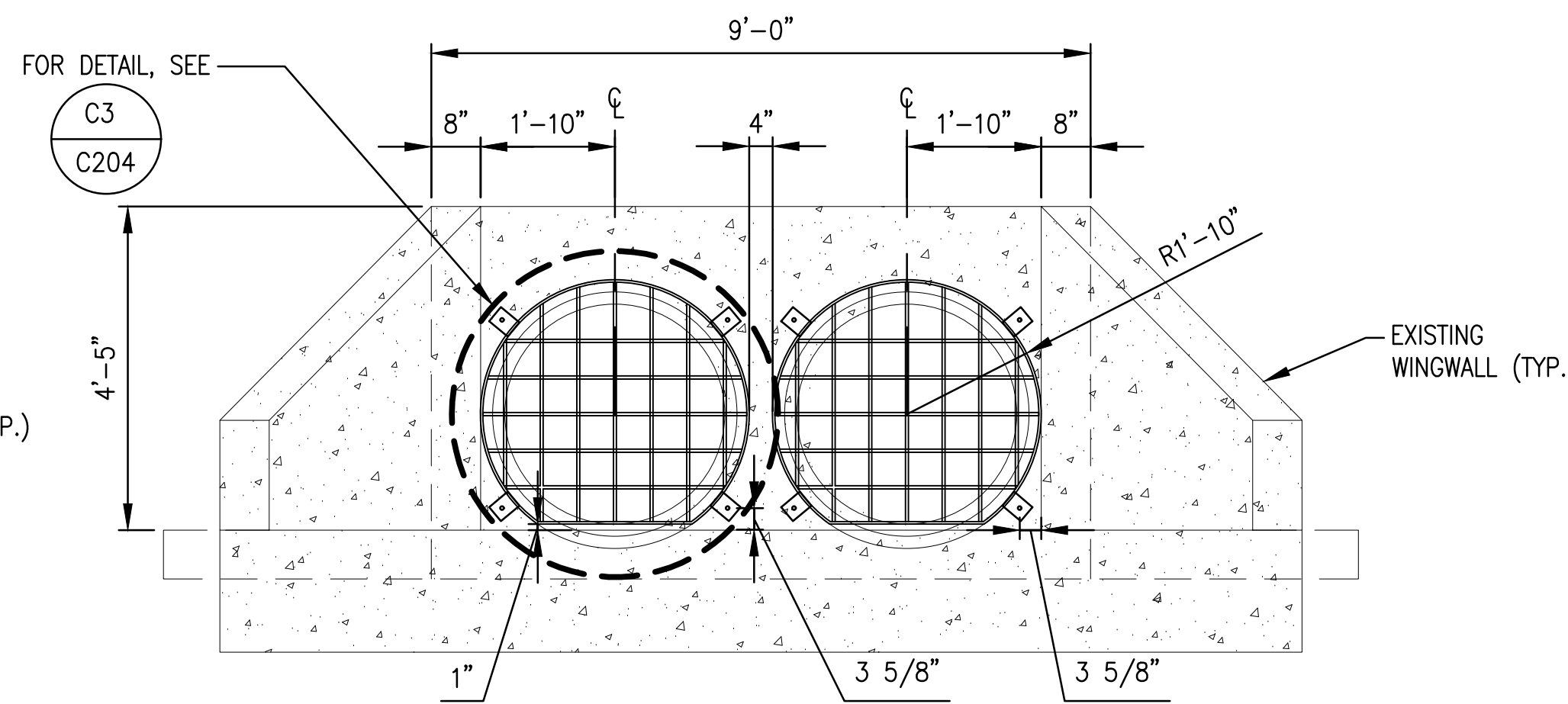
GRATE DETAIL
SCALE: 3/4"=1'-0" C204 **C3**



ATTACHMENT PLATE DETAIL
SCALE: 3"=1'-0" C204 **C4**

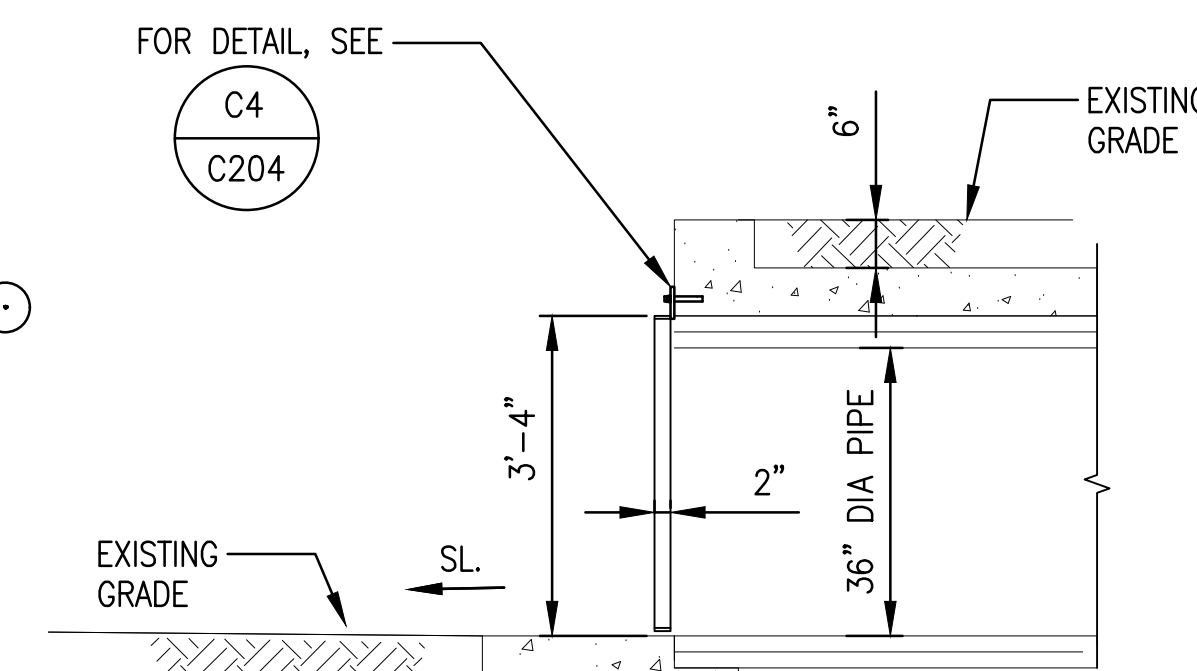


PLAN

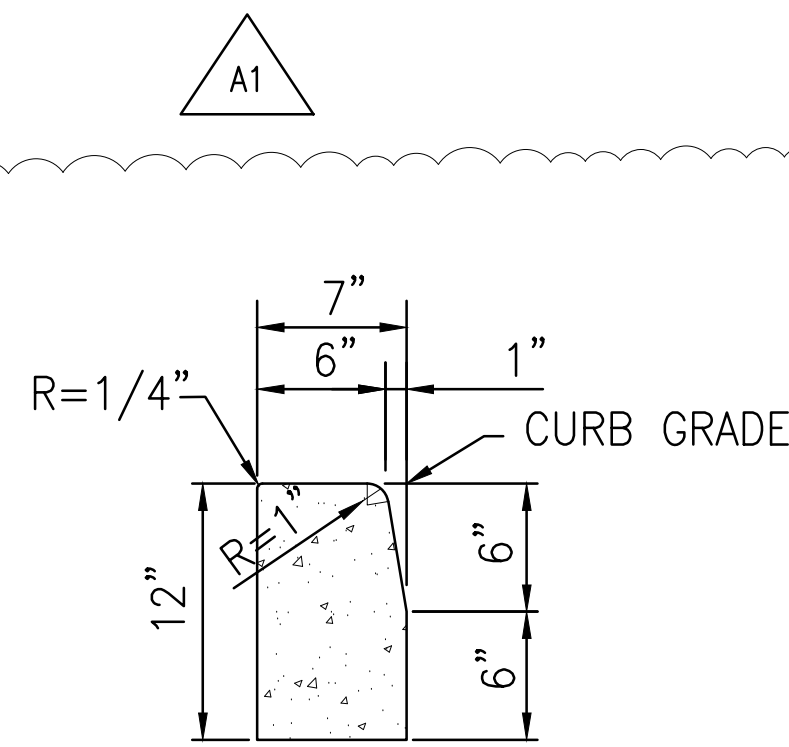


ELEVATION

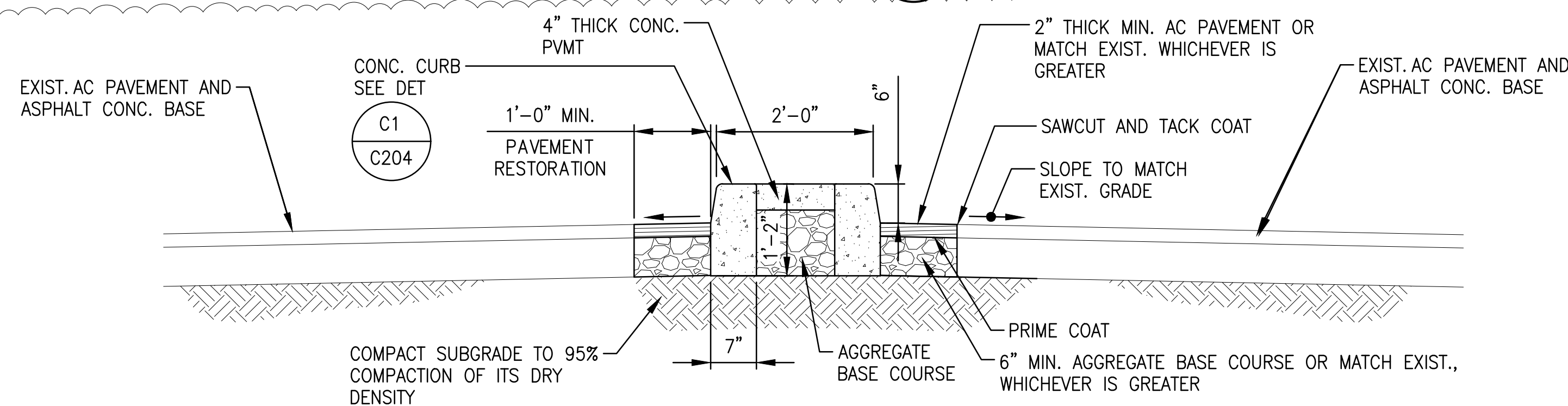
HEADWALL GRATE DETAIL
SCALE: 1/2"=1'-0" C109 **B3**



SECTION B-B



CONCRETE CURB DETAIL
SCALE: NOT TO SCALE C204 **A1**



SECTION A-A

CONCRETE ISLAND DETAIL
SCALE: 3/4"=1'-0" C103 **A3**



DK SCHEER & RUBOTA CONSULTING
Project Management • Planning • Architecture/Engineering/Interior • Construction Management
4001 Kalia Road, Suite 1014
Honolulu, Hawaii 96817

NO.	SYMBOL	DESCRIPTION	DATE	APPR.
1			6/7/2022	

SUBMITTAL DATE: 5/25/2022

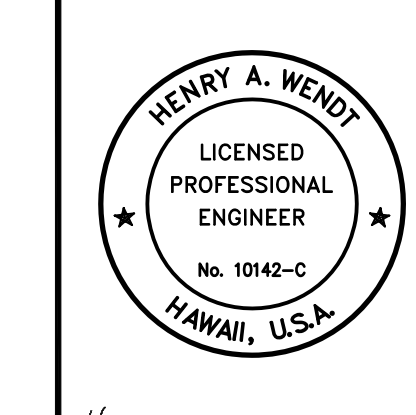
DES: CP DRAW: RAI CHECK: HW

DEPARTMENT OF DEFENSE
DESIGN AND PROJECT MANAGEMENT BRANCH
OAHU, HAWAII

HAWAII ARMY NATIONAL GUARD
FACILITY MANAGEMENT OFFICE
KALAELOA

SECURITY FENCE LINE AND LIGHTING REPAIRS/
REPLACEMENT FOR MULTIPLE LOCATIONS AT KALAELOA

MISCELLANEOUS DETAILS



Signature: Henry A. Wendt 4/30/2024
Expiration Date of the License

SCALE: AS NOTED
STATE JOB NO. CA-1905-C
FEDERAL PROJECT NO. PN15180026
SHEET 19 OF 27
C204