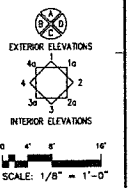


KEY PLAN

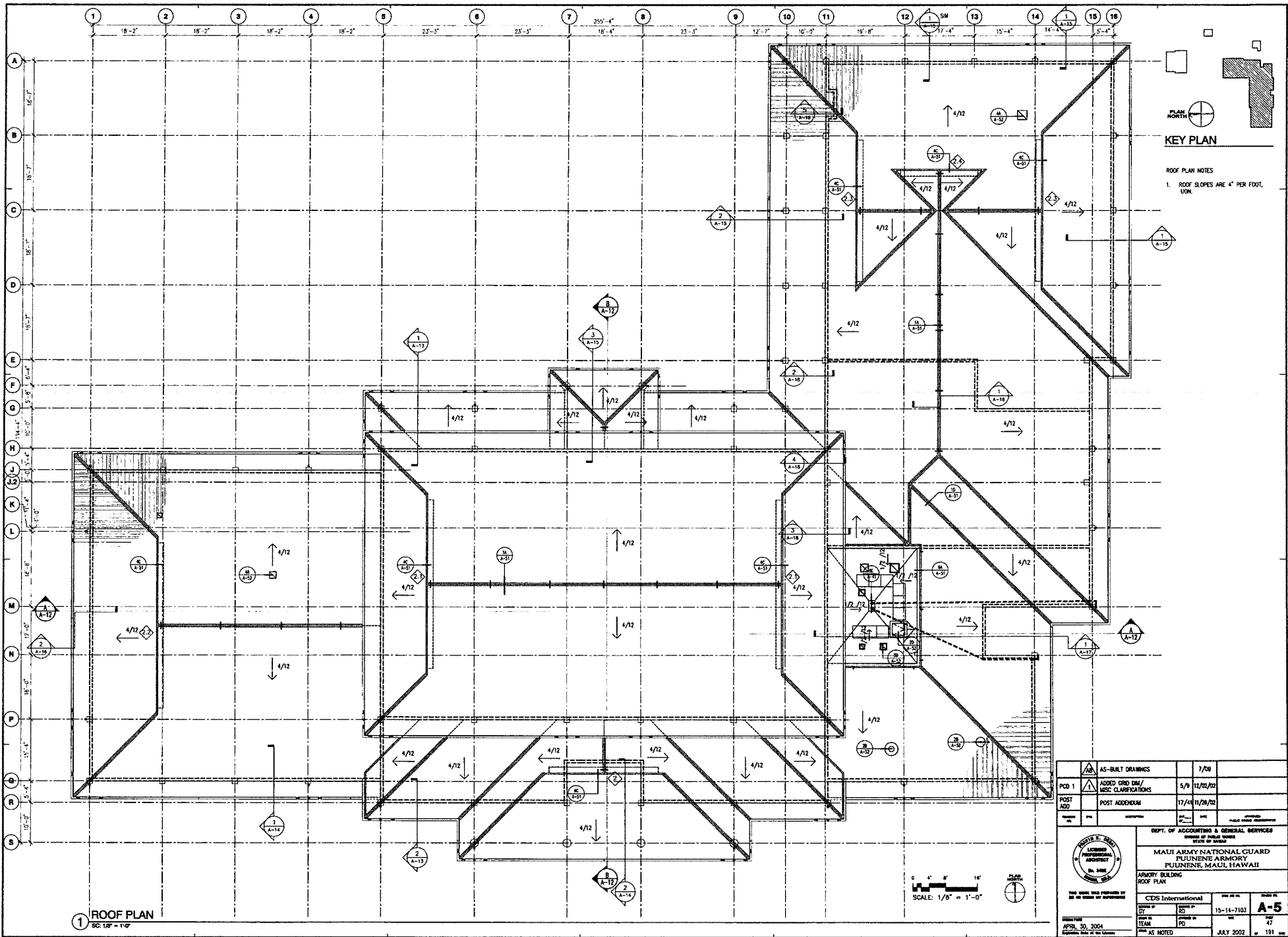
- FLOOR PLAN/DETAIL PLAN NOTES
- SEE SHITS A-47 THRU A-48 FOR PARTITION TYPES (NOT ALL OF WHICH MAY APPLY TO THIS PROJECT).
 - SEE SHIT A-42 FOR ROOM FINISH SCHEDULE AND RELATED INFORMATION.
 - SEE SHIT A-44 FOR DOOR SCHEDULE AND RELATED INFORMATION.
 - SEE SHIT A-45 FOR DOOR, WINDOW AND LOWER TYPES ELEVATIONS.
 - SEE SHITS A-19 THRU A-30 FOR ARMY INTERIOR ELEVATIONS.
 - SEE SHITS A-35 THRU A-39 FOR OMC INTERIOR ELEVATIONS.
 - SEE SHIT A-40 FOR FMS INTERIOR ELEVATIONS.
 - SEE SPEC SECTION 18000 FOR DESCRIPTIONS OF MSC TOILET ACCESSORIES.
 - SEE SHIT A-43 FOR FLOORING AND/OR PAVING PATTERNS.
 - SEE SHIT A-43 FOR COLORS AND FINISHES KEY PLANS.



1 FLOOR PLAN
SC: 1/8" = 1'-0"

AS-BUILT DRAWINGS	7/09
ADDED GRID DIM/ MISC CLARIFICATIONS	4/9 12/02/02
POST ADD	10/01/11/28/02

DEPT. OF ACCOUNTING & GENERAL SERVICES OFFICE OF PUBLIC WORKS MAUI ARMY NATIONAL GUARD PULUNELE ARMORY PULUNELE, MAUI, HAWAII	
CDOS International 15-14-7103 APRIL 30, 2004 AS NOTED	151

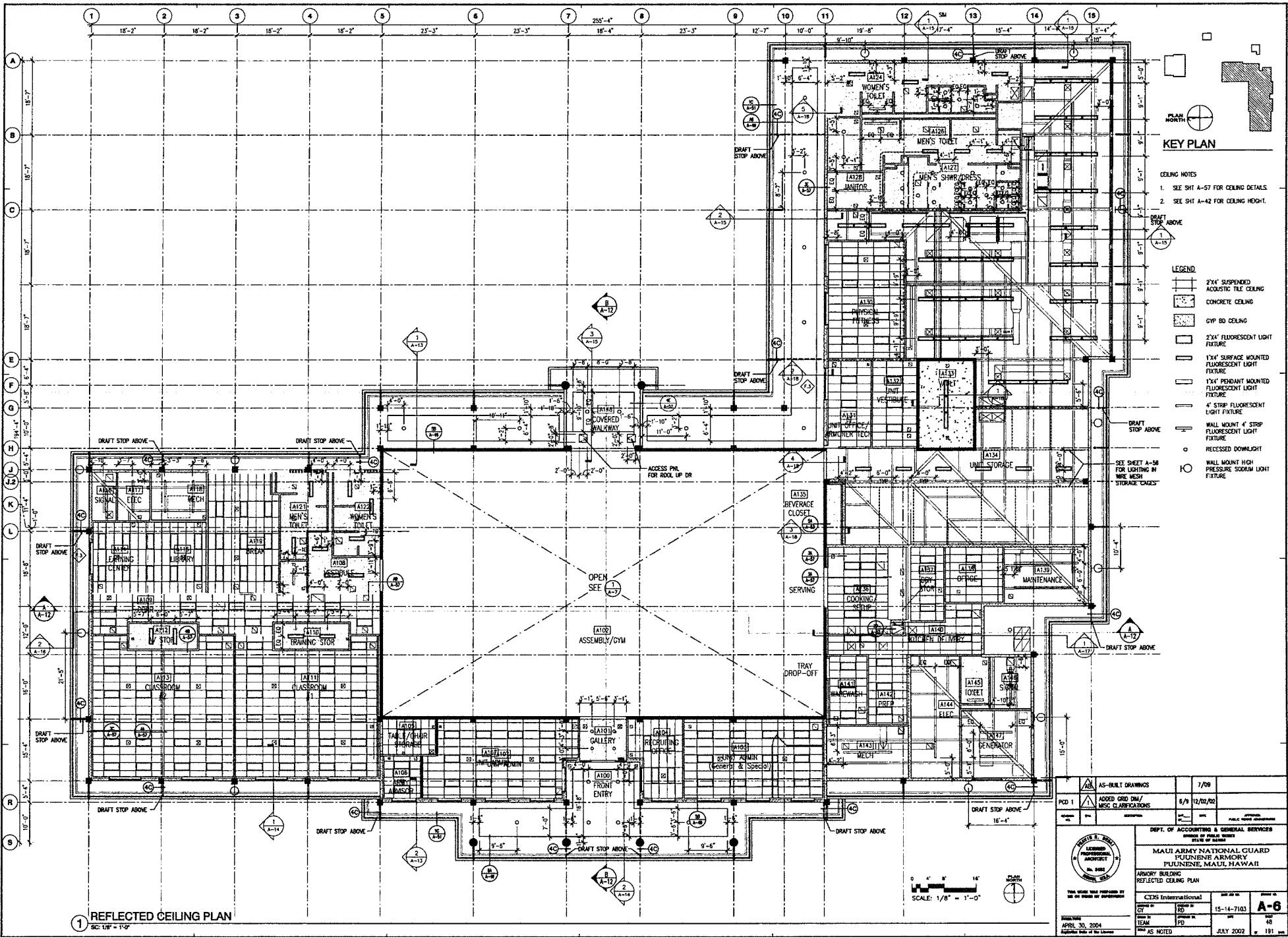


ROOF PLAN NOTES
 1. ROOF SLOPES ARE 4" PER FOOT, UOM.

1 ROOF PLAN
 SC: 1/8" = 1'-0"

AS-BUILT DRAWINGS	7/08
PCD 1	ADDED GRID DIM/ MISC CLARIFICATIONS
POST ADD	POST ADDENDUM
APRIL 30, 2004	JULY 2002

DEPT. OF ACCOUNTING & GENERAL SERVICES BUREAU OF BUDGET SERVICES STATE OF HAWAII	
MAUI ARMY NATIONAL GUARD PUUNENE ARMORY PUUNENE, MAUI, HAWAII	
ARMORY BUILDING ROOF PLAN	
CDS International	15-14-7103
DATE	NOV 02 2002
SCALE	1/8" = 1'-0"
PROJECT NO.	A-5
DATE	JULY 2002
NO.	191



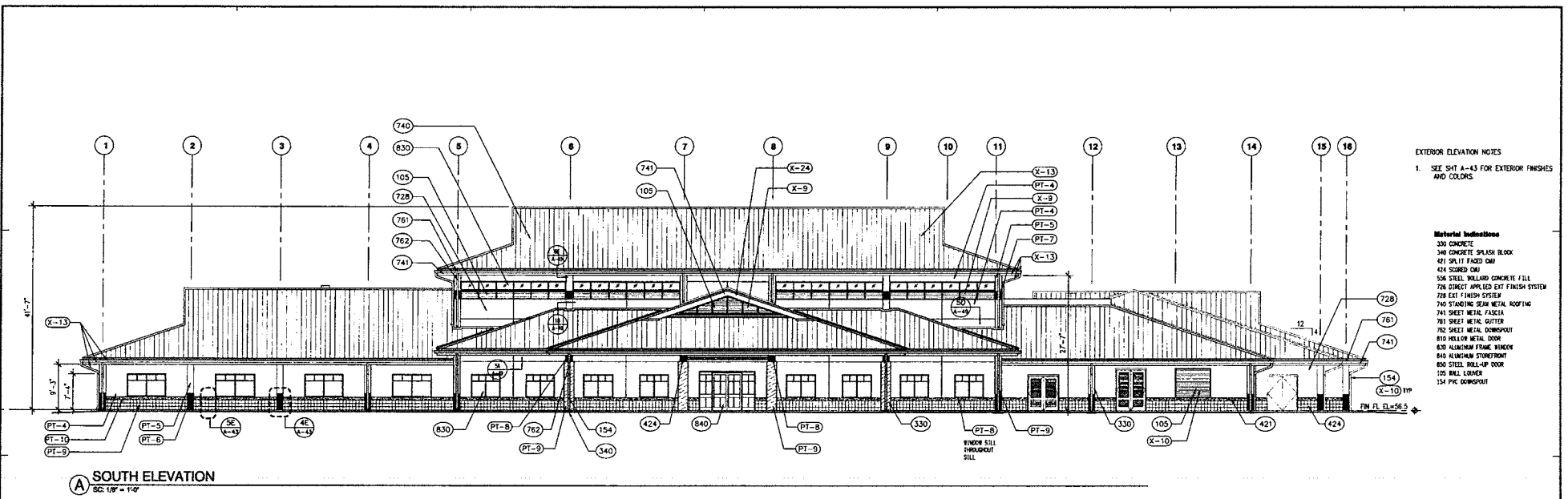
KEY PLAN

- CEILING NOTES**
1. SEE SHT A-57 FOR CEILING DETAILS.
 2. SEE SHT A-42 FOR CEILING HEIGHT.

- LEGEND**
- 2'x4' SUSPENDED ACOUSTIC TILE CEILING
 - CONCRETE CEILING
 - GYP BO CEILING
 - 2'x4' FLUORESCENT LIGHT FIXTURE
 - 1'x4' SURFACE MOUNTED FLUORESCENT LIGHT FIXTURE
 - 1'x4' PENDANT MOUNTED FLUORESCENT LIGHT FIXTURE
 - 4' STRIP FLUORESCENT LIGHT FIXTURE
 - WALL MOUNT 4' STRIP FLUORESCENT LIGHT FIXTURE
 - RECESSED DOWNLIGHT
 - WALL MOUNT HIGH PRESSURE SODIUM LIGHT FIXTURE

1 REFLECTED CEILING PLAN
 SC: 1/8" = 1'-0"

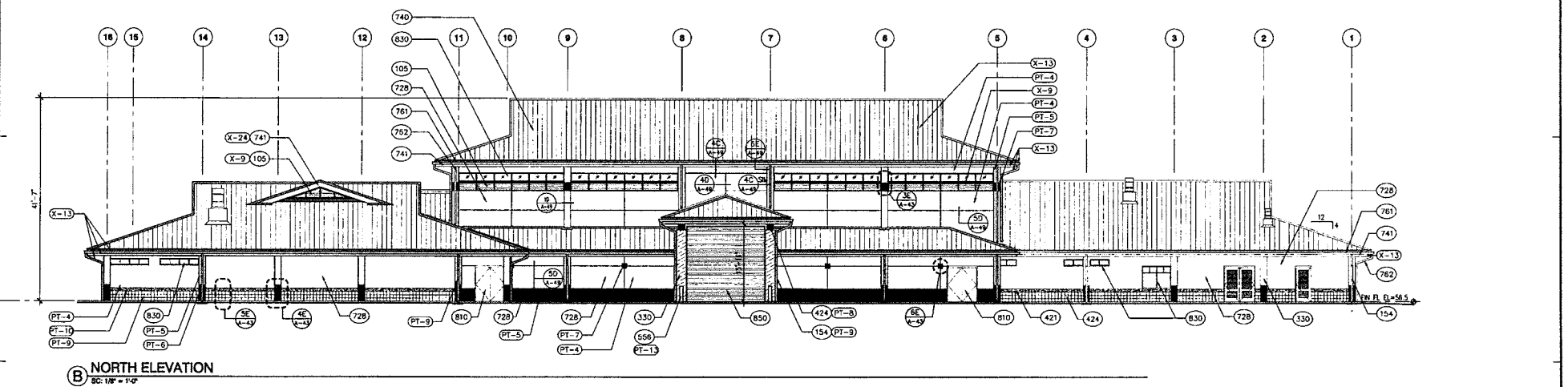
AS-BUILT DRAWINGS	1/09
PCD 1	ADDED GRID DIMS / REVISION CLASSIFICATIONS
DATE	8/9
BY	12/02/02
APP'D	
REVISIONS	
DEPT. OF ACCOUNTING & GENERAL SERVICES STATE OF HAWAII	
MAUI ARMY NATIONAL GUARD PULUNENE ARMORY PULUNENE, MAUI, HAWAII	
ARMORY BUILDING REFLECTED CEILING PLAN	
	DESIGNED BY DRAWN BY CHECKED BY DATE
CDS International 15-14-7103	SHEET NO. A-6 TOTAL SHEETS 48
APRIL 30, 2004	JULY 2002
AS NOTED	131



EXTERIOR ELEVATION NOTES
 1. SEE SAT A-43 FOR EXTERIOR FINISHES AND COLORS

- Material Indications**
- 330 CONCRETE
 - 340 CONCRETE SPLASH BLOCK
 - 421 SPLIT FACED CMU
 - 424 SCORED CMU
 - 558 STEEL WOLLARD CONCRETE FILL
 - 728 DIRECT APPLIED EXT FINISH SYSTEM
 - 740 EXIST FINISH SYSTEM
 - 741 STANDING SEAM METAL ROOFING
 - 741 SHEET METAL FASCIA
 - 781 SHEET METAL GUTTER
 - 782 SHEET METAL DOWNPOUT
 - 810 HOLLOW METAL DOOR
 - 830 ALUMINUM FRAME WINDOW
 - 840 ALUMINUM STOREFRONT
 - 850 STEEL ROLL-UP DOOR
 - 105 BELL LOWER
 - 154 PVC DOWNPOUT

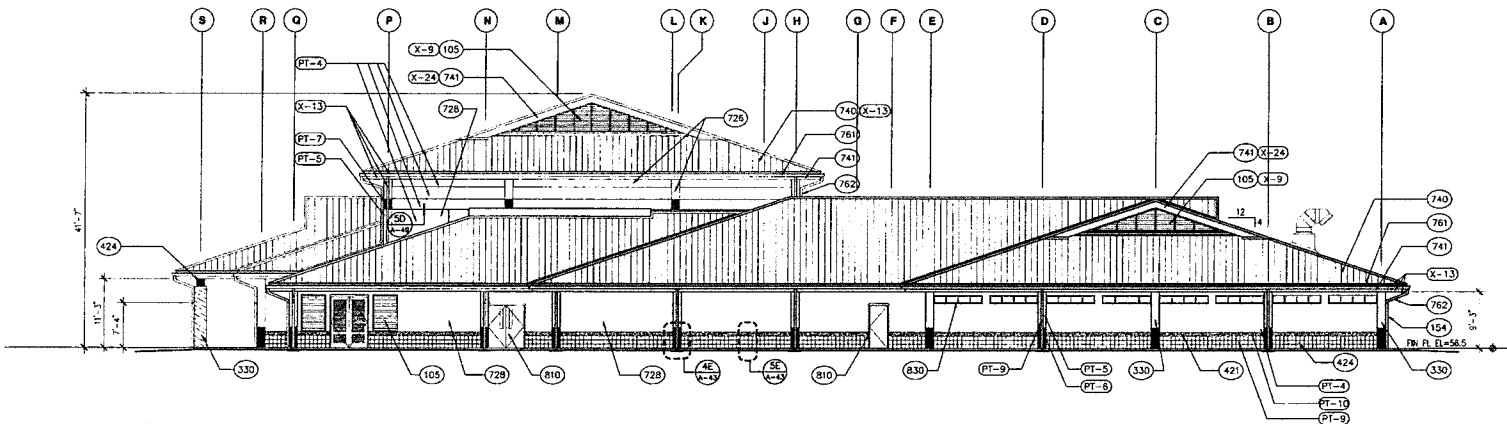
A SOUTH ELEVATION
 SC: 1/8" = 1'-0"



B NORTH ELEVATION
 SC: 1/8" = 1'-0"

AS-BUILT DRAWINGS	7/09	APPROVED
DEPT. OF ACCOUNTING & GENERAL SERVICES		
OFFICE OF PUBLIC WORKS		
STATE OF HAWAII		
MAUI ARMY NATIONAL GUARD		
FUUNENE ARMOURY		
FUUNENE, MAUI, HAWAII		
ARMORY BUILDING		
EXTERIOR ELEVATIONS		
DESIGNED BY CIDG International	DRAWN BY SD	CHECKED BY SD
DATE OF SUBMITTAL APRIL 30, 2004	PROJECT NO. 15-14-7103	SHEET NO. 52
DATE OF PLOTTING APRIL 30, 2004	SCALE AS NOTED	TOTAL SHEETS 191
A-10		

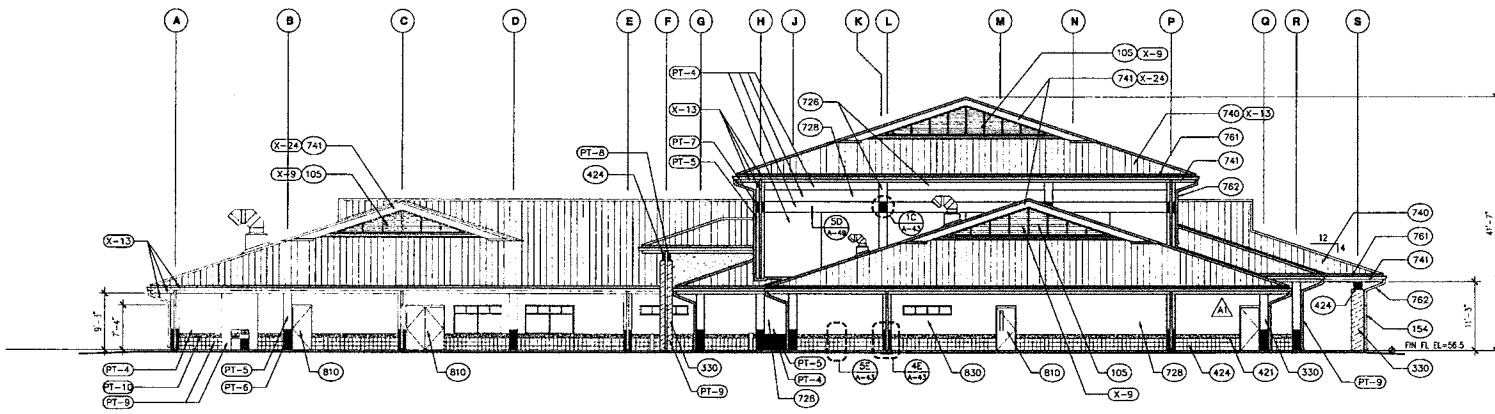
SCALE: 1/8" = 1'-0"



A EAST ELEVATION
SC: 1/8" = 1'-0"

EXTERIOR ELEVATION NOTES
1. SEE SHT A-43 FOR EXTERIOR FINISHES AND COLORS.

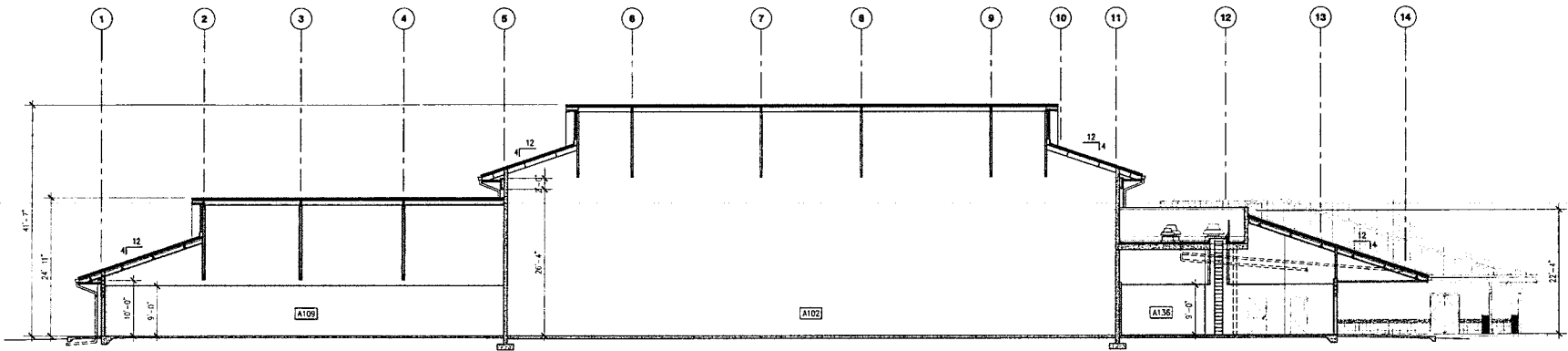
- Material Indications**
- 330 CONCRETE
 - 340 CONCRETE SPLASH BLOCK
 - 421 SPLIT FACE CMU
 - 424 SCORED CMU
 - 550 STEEL ROLLARD CONCRETE FILL
 - 728 DIRECT APPLIED EXT FINISH SYSTEM
 - 728 EXT FINISH SYSTEM
 - 740 STANDING SEAM METAL ROOFING
 - 741 SHEET METAL FLASHING
 - 761 SHEET METAL GUTTER
 - 762 SHEET METAL DOWNSPOUT
 - 810 HOLLOW METAL DOOR
 - 830 ALUMINUM FRAME WINDOW
 - 840 ALUMINUM STOREFRONT
 - 850 STEEL ROLL-UP DOOR
 - 125 WALL LEVER
 - 154 PVC DOWNSPOUT



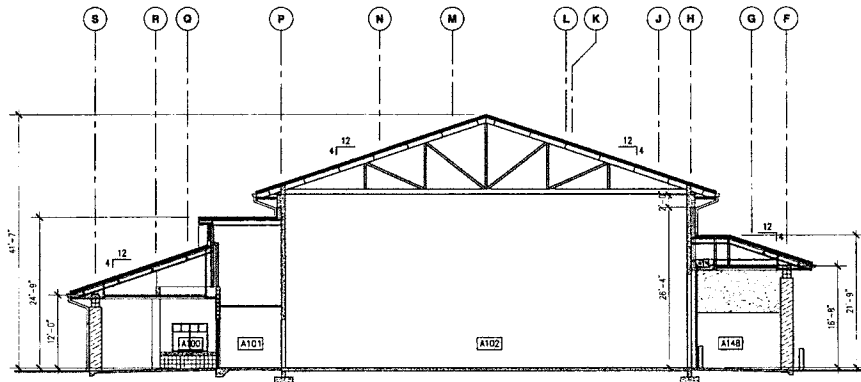
B WEST ELEVATION
SC: 1/8" = 1'-0"

AS-BUILT DRAWINGS	7/09
POST ADD	POST ADDENDUM 10/11/11/26/02
REVISION	DATE
DEPT. OF ACCOUNTING & GENERAL SERVICES DIVISION OF PUBLIC WORKS STATE OF HAWAII MALU ARMORY NATIONAL GUARD PULIENE ARMORY PULIENE, MALU, HAWAII ARMORY BUILDING EXTERIOR ELEVATIONS	
	CDS International 15-14-7103 APR 30, 2004 AS NOTED
THIS SCALE WAS PREPARED BY ME OR UNDER MY SUPERVISION	SCALE: 1/8" = 1'-0" A-11 53 191

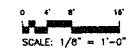
E-501



A BUILDING SECTION
 SC: 1/8" = 1'-0"



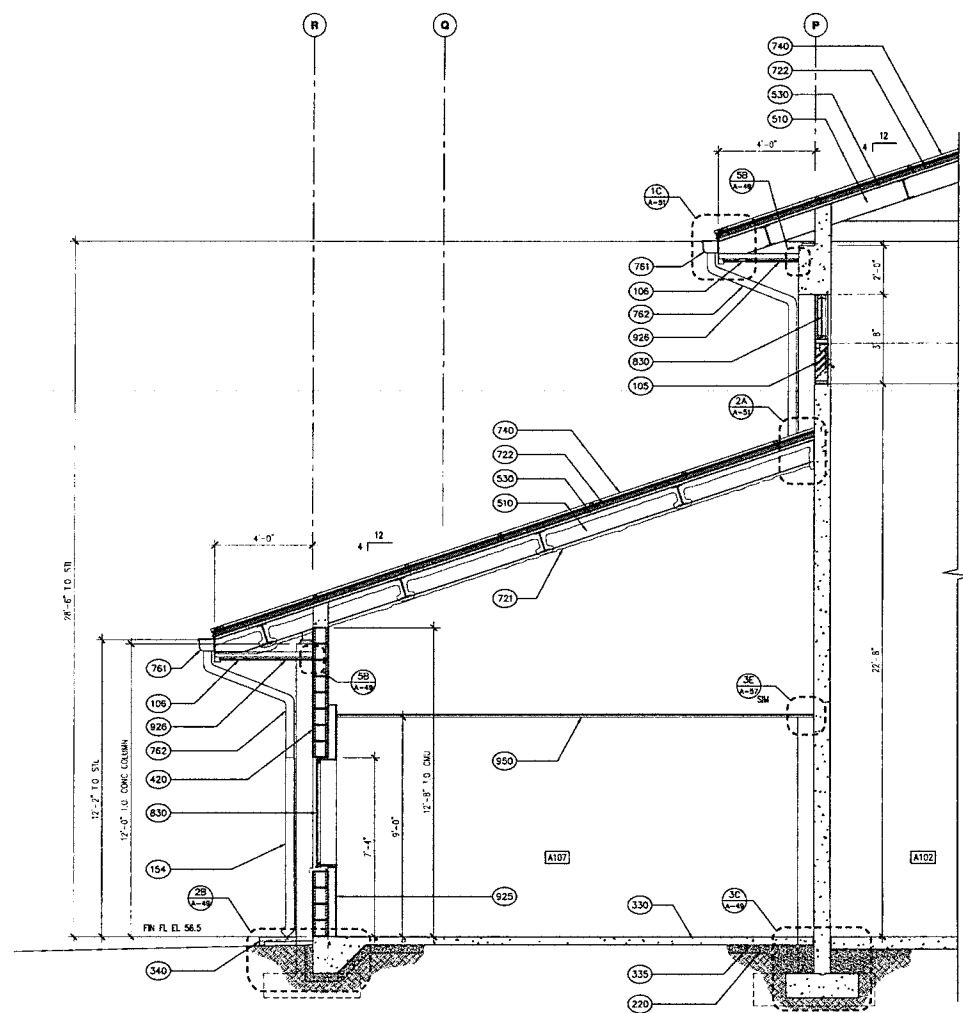
B BUILDING SECTION
 SC: 1/8" = 1'-0"



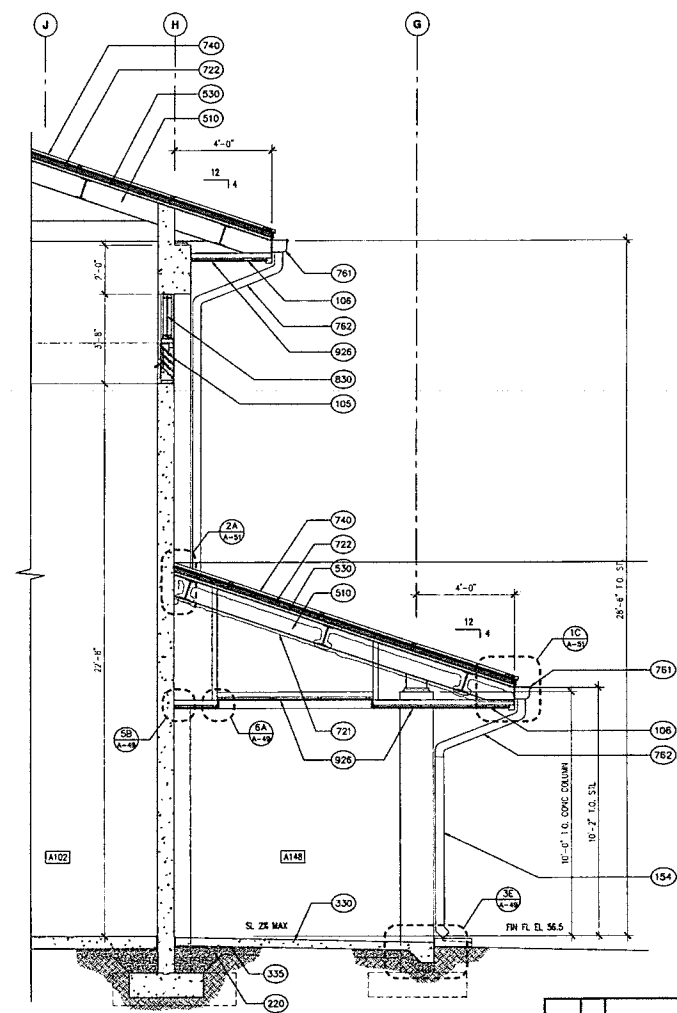
EXTERIOR ELEVATIONS

NO.	DATE	DESCRIPTION	BY	CHECKED
DEPT. OF ACCOUNTING & GENERAL SERVICES BUREAU OF FIELD SERVICES STATE OF HAWAII				
MAUI ARMY NATIONAL GUARD PUUNENE ARMORY PUUNENE, MAUI, HAWAII				
ARMORY BUILDING BUILDING SECTIONS				
CDS International 15-14-7103			SHEET NO. A-12 OF 54	
APRIL 30, 2004			JULY 2002	
AS NOTED				

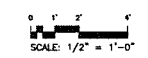
- Material Indications**
- 220 BALK LOG TERRAZZO BARRIER
 - 230 BASE COURSE
 - 250 ASPHALTIC CONCRETE
 - 330 CONCRETE
 - 335 WPPR BARRELED BELOW SLAB ON GRADE
 - 340 CONCRETE SPLASH BLOCK
 - 420 CONCRETE MASONRY UNIT (CMU)
 - 445 SCORED CMU
 - 510 STRUCTURAL STEEL FRAMING
 - 530 METAL PEXING
 - 541 STEEL LINDER
 - 556 STEEL WOLLAND CONCRETE FILL
 - 721 SPRAY-ON FIREPROOFING
 - 722 RIGID ROOF INSULATION
 - 723 GIBBS APPLIED EXT. FINISH SYSTEM
 - 725 EXT. FINISH SYSTEM
 - 740 STYRENE SWAN METAL ROOFING
 - 750 ELASTOMERIC COATING
 - 761 SHEET METAL GUTTER
 - 762 SHEET METAL DOWNSPOUT
 - 771 ROOF WITCH
 - 810 HOLLOW METAL DOOR
 - 830 ALUMINUM FRAME FINCHOR
 - 925 EPSM BOARD
 - 926 EXTERIOR EPSM CEILING BOARD
 - 930 CERAMIC TILE
 - 931 QUARRY TILE
 - 950 SUSPENDED LAY-IN ACoustICAL TILE
 - 100 WALL LINDER
 - 105 SPLIT VENT
 - 154 PVC DOWNSPOUT



2 WALL SECTION
SC: 1/2" = 1'-0"

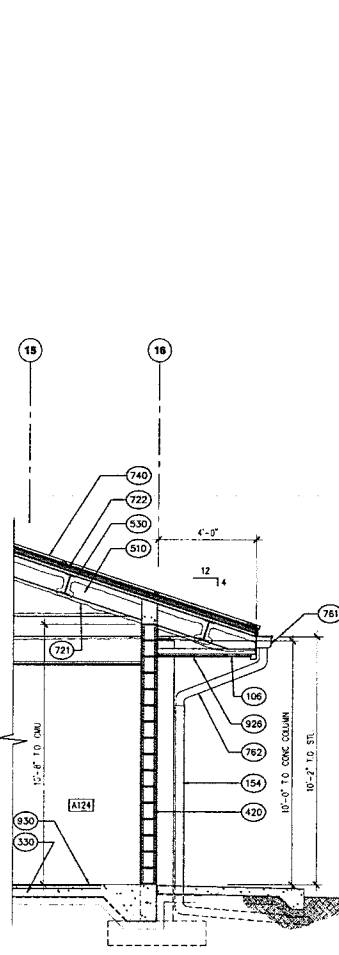


1 WALL SECTION
SC: 1/2" = 1'-0"

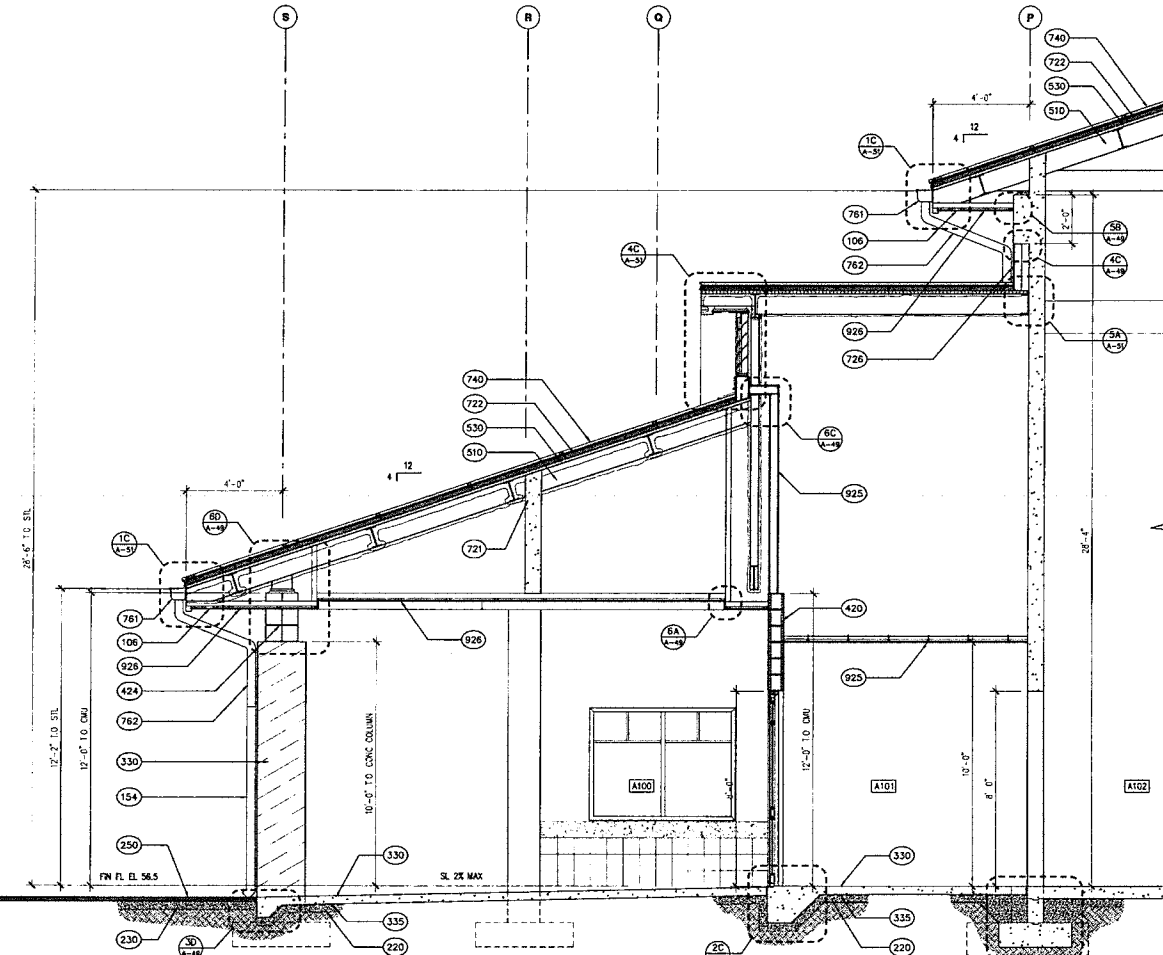


DATE	BY	DESCRIPTION	APP'D	DATE	PROJECT
 DEPT. OF ACCOUNTING & GENERAL SERVICES STATE OF HAWAII MAUI ARMY NATIONAL GUARD PUUNENE ARMSERY PUUNENE, MAUI, HAWAII					
ARMORY BUILDING WALL SECTIONS					
CDS International			DRAWN BY 15-14-7103	CHECKED BY PD	SHEET NO. A-13
DATE APRIL 30, 2004	SCALE AS NOTED	DATE JULY 2002	SHEET NO. 50	TOTAL SHEETS 191	DRAWN BY 191

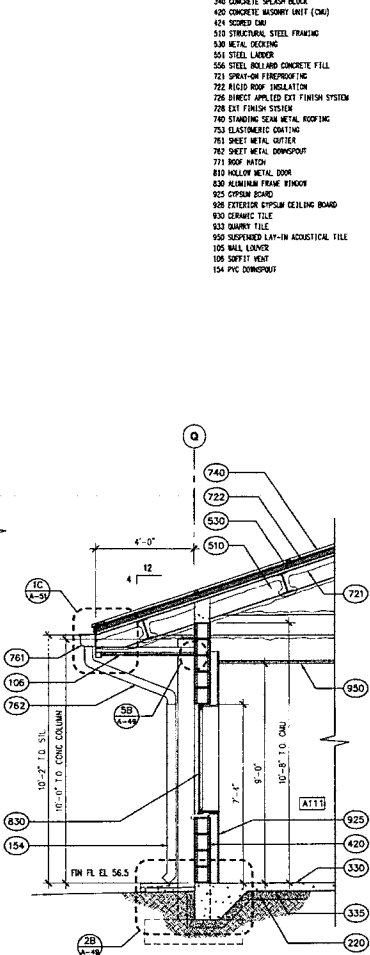
- Material Indications**
- 220 BASALTIC TERRAZO BARRIER
 - 230 BASE COURSE
 - 250 ASPHALTIC CONCRETE
 - 330 CONCRETE
 - 340 VAPOR BARRIER BELOW SLAB ON GRADE
 - 420 CONCRETE MASONRY UNIT (CMU)
 - 430 SCURRED CMU
 - 510 STRUCTURAL STEEL FRAMING
 - 530 METAL CEILING
 - 550 STEEL LARKER
 - 560 STEEL BOLARD CONCRETE FILL
 - 721 SPRAY-ON FIREPROOFING
 - 722 RIGID ROOF INSULATION
 - 726 DIRECT APPLIED EXT. FINISH SYSTEM
 - 728 EXT. FINISH SYSTEM
 - 740 STANDING SEAM METAL ROOFING
 - 750 ELASTOMERIC DOWTING
 - 761 SHEET METAL OUTLET
 - 762 SHEET METAL DOWNSPOUT
 - 771 ROOF PATCH
 - 810 HOLLOW METAL DOOR
 - 830 ALUMINUM FRAME FINISH
 - 925 CONCRETE BOARD
 - 926 EXTERIOR EPS/PM CEILING BOARD
 - 930 CERAMIC TILE
 - 931 BARRIER TILE
 - 932 SUPERFLEX LAY-IN ACOUSTICAL TILE
 - 106 WALL LEANER
 - 108 SOCKET HEAT
 - 154 PVC DOWNSPOUT



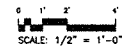
3 WALL SECTION
SC: 1/2" = 1'-0"




2 WALL SECTION
SC: 1/2" = 1'-0"

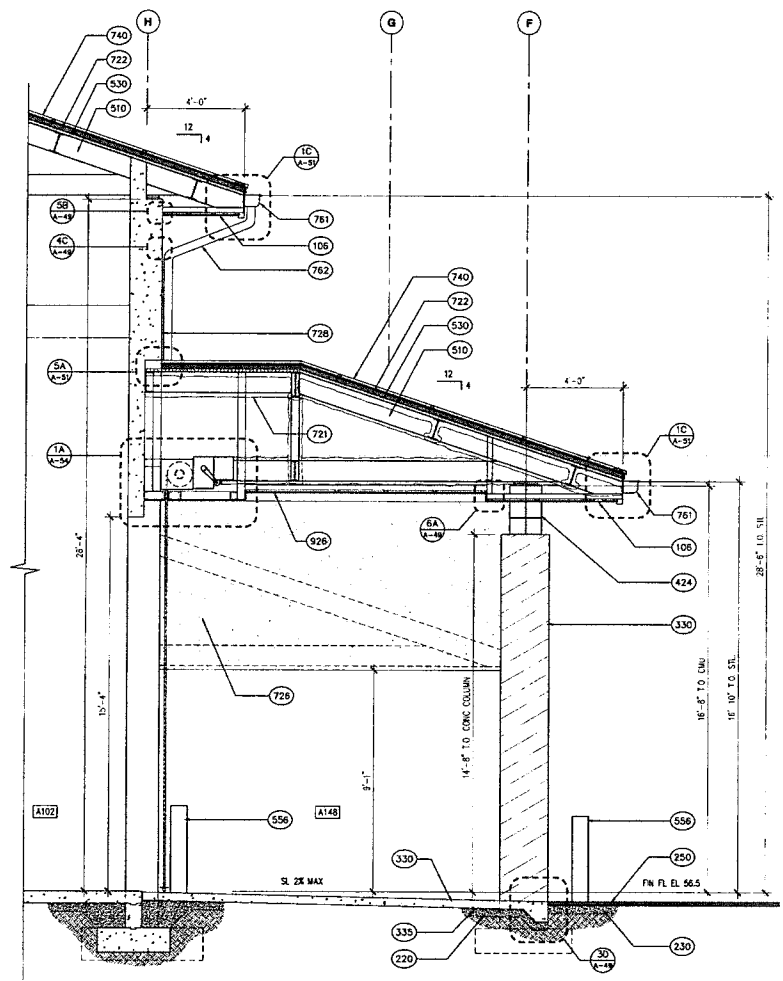


1 WALL SECTION
SC: 1/2" = 1'-0"

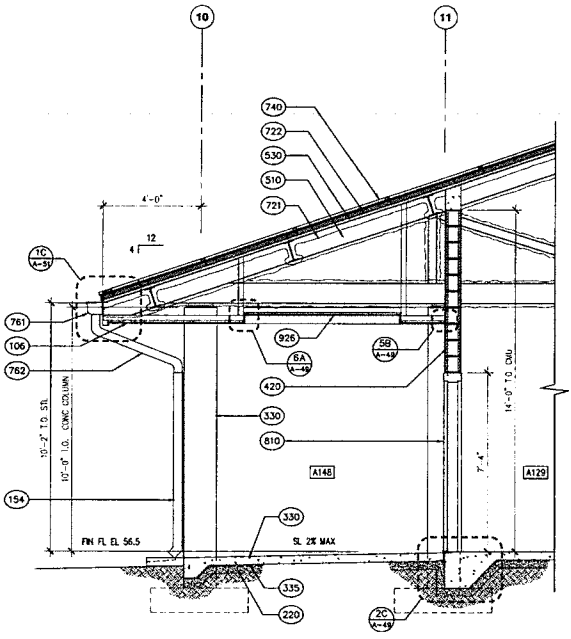


PROJECT NO.	DATE	DESCRIPTION	BY	CHKD.	APPROVED
					PUBLIC WORKS DEPARTMENT
					
DEPT. OF ACCOUNTING & GENERAL SERVICES STATE OF HAWAII MAUI ARMY NATIONAL GUARD PLUNENE ARSENARY PLUNENE, MAUI, HAWAII ARMY BUILDING WALL SECTIONS					
CDS International 15-14-7103 APRIL 30, 2004		SHEET NO. A-14 OF 52 JULY 2002 191			

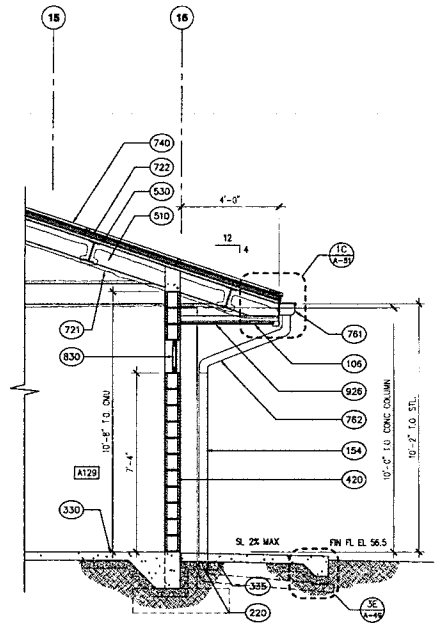
- Material Indications**
- 220 BASTIC FIBRE BARRIER
 - 230 BASE COURSE
 - 250 ASPHALTIC CONCRETE
 - 330 CONCRETE
 - 335 FIBRE BARRIER BELOW SLAB ON GRADE
 - 340 CONCRETE SLAG BLOCK
 - 420 CONCRETE MASONRY UNIT (CMU)
 - 424 GYPSUM BOARD
 - 510 STRUCTURAL STEEL FRAMING
 - 530 METAL DECKING
 - 551 STEEL LAGNER
 - 556 STEEL BOLLARD CONCRETE FILL
 - 721 SPRAY-ON FIREPROOFING
 - 722 RIGID ROOF INSULATION
 - 726 INSULATED EXT FINISH SYSTEM
 - 728 EXT FINISH SYSTEM
 - 740 STANDING SEAM METAL ROOFING
 - 752 ELASTOMERIC COATING
 - 761 SHEET METAL GUTTER
 - 762 SHEET METAL DOWNSPOUT
 - 772 ROOF WAGON
 - 810 HOLLOW METAL DOOR
 - 830 ALUMINUM FRAME WINDOW
 - 855 EPSM BOARD
 - 858 EXTERIOR EPSM CEILING BOARD
 - 860 CERAMIC TILE
 - 862 QUARRY TILE
 - 860 SUSPENDED LAT-IN ACOUSTICAL TILE
 - 105 WALL LIGNER
 - 106 SAFETY HENT
 - 154 PVC DOWNSPOUT



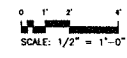
3 WALL SECTION
SC: 1/2" = 1'-0"



2 WALL SECTION
SC: 1/2" = 1'-0"

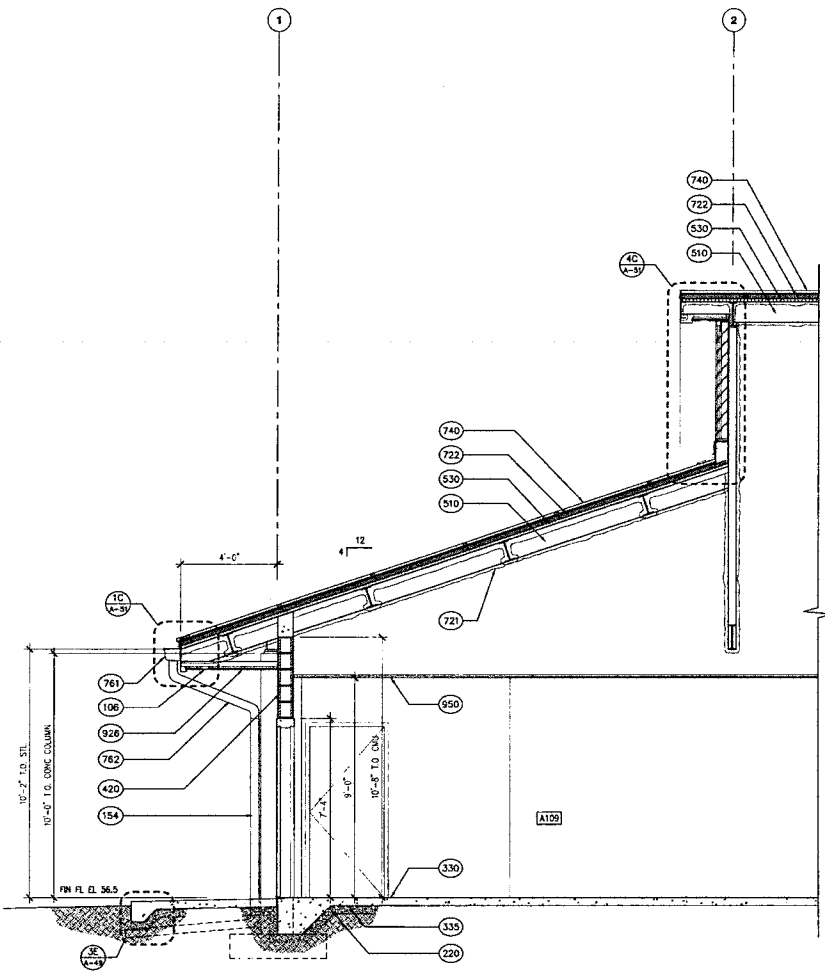


1 WALL SECTION
SC: 1/2" = 1'-0"

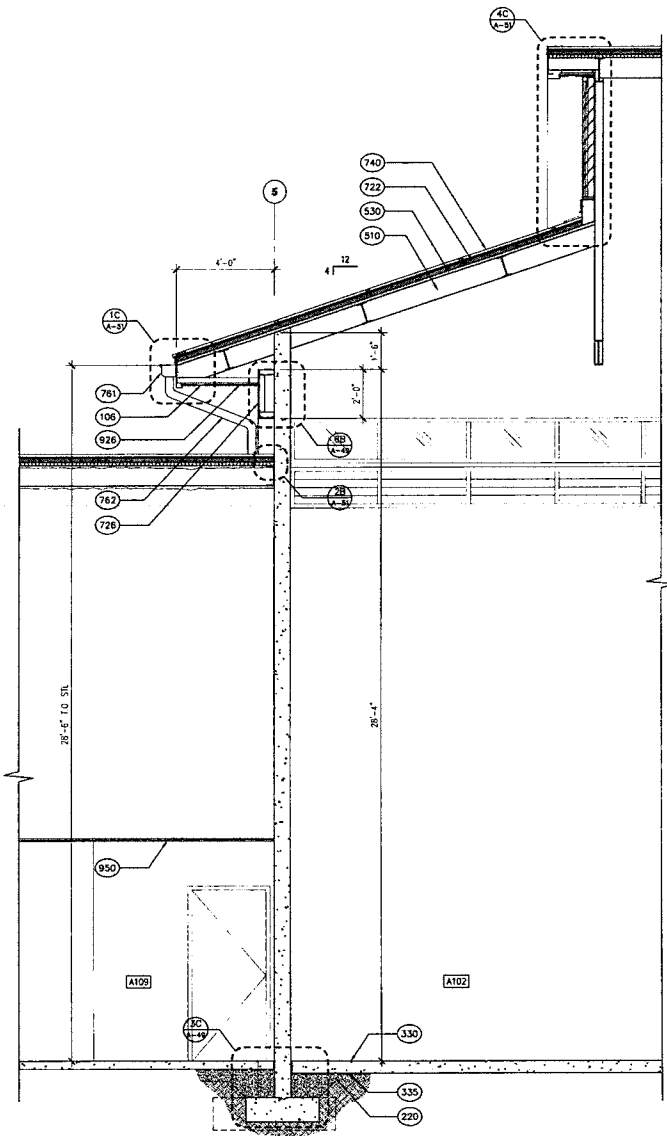


AS-BUILT DRAWINGS		7/09	
DATE	SCALE	DESCRIPTION	PROJECT
			DEPT. OF ACCOUNTING & GENERAL SERVICES
MAUI ARMY NATIONAL GUARD PUUNENE ARMORY PUUNENE, MAUI, HAWAII			
ARMORY BUILDING WALL SECTIONS			
CDS International		DATE	15-14-7103
DESIGNED BY	PD	DATE	57
APRIL 30, 2004	TEAM	DATE	191
SCALE AS NOTED		JULY 2002	

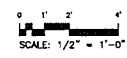
- Material Indications**
- 220 BASALTIC TERRAZZO BARRIER
 - 230 BASE COURSE
 - 250 ASPHALTIC CONCRETE
 - 330 CONCRETE
 - 335 VIBR BARRIER BELOW SLAB ON GRADE
 - 340 CONCRETE SPLASH BLOCK
 - 420 CONCRETE MASONRY UNIT (CMU)
 - 450 SPOURED CAU
 - 510 STRUCTURAL STEEL FRAMING
 - 530 METAL BECLING
 - 551 STEEL LADDER
 - 556 STEEL BOLTED CONCRETE FILL
 - 721 SPRAY-ON FIBERPOOFING
 - 722 RIGID ROOF INSULATION
 - 726 DIRECT APPLIED EXT FINISH SYSTEM
 - 729 EXT FINISH SYSTEM
 - 740 STANDING SEAM METAL ROOFING
 - 753 ELASTOMERIC COATING
 - 761 SHEET METAL DUTTER
 - 762 SHEET METAL DOWNSPOUT
 - 771 ROOF HATCH
 - 810 HOLLOW METAL DOOR
 - 830 ALUMINUM FRAME WINDOW
 - 825 GYPSON BOARD
 - 836 EXTERIOR GYPSUM CEILING BOARD
 - 838 CERAMIC TILE
 - 833 GABBRY TILE
 - 950 SUSPENDED LAY-IN ACOUSTICAL TILE
 - 106 WALL COVER
 - 108 SOFFIT VENT
 - 154 PVC DOWNSPOUT



2 WALL SECTION
SC: 1/2" = 1'-0"



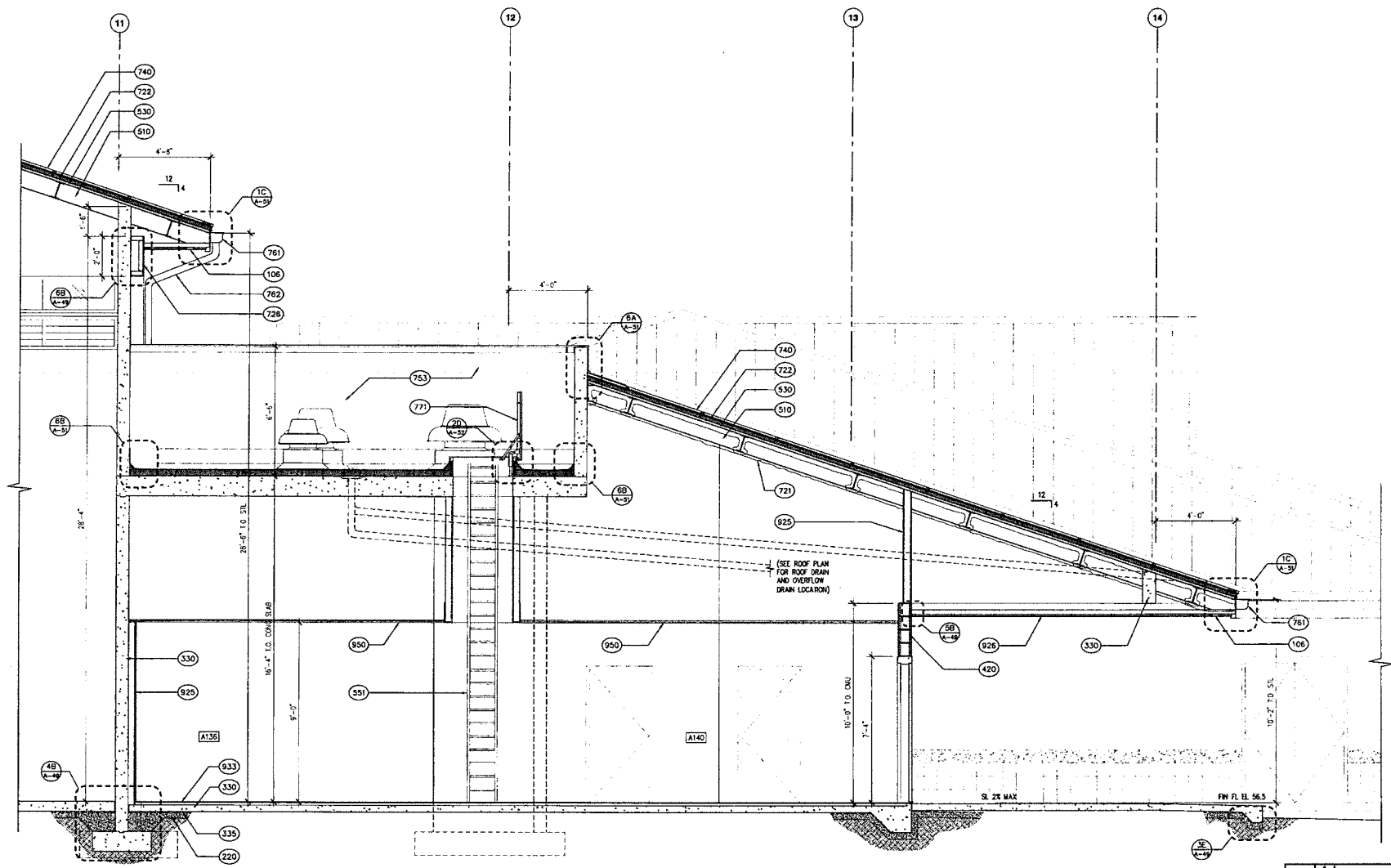
1 WALL SECTION
SC: 1/2" = 1'-0"



REVISION	DATE	DESCRIPTION	BY	CHK	SCALE	DATE
<p style="text-align: center;">DEPT. OF ACCOUNTING & GENERAL SERVICES OFFICE OF PUBLIC WORKS</p> <p style="text-align: center;">MAUI ARMY NATIONAL GUARD PULIENE ARMORY PULIENE, MAUI, HAWAII</p> <p style="text-align: center;">ARMORY BUILDING WALL SECTIONS</p>						
<p style="text-align: center;">THIS DRAWING WAS PREPARED BY ME OR UNDER MY SUPERVISION</p>		<p style="text-align: center;">CIDS International</p>	<p style="text-align: center;">DATE OF PL. 15-14-7103</p>	<p style="text-align: center;">DRAWN BY RD</p>	<p style="text-align: center;">CHECKED BY PD</p>	<p style="text-align: center;">DATE JULY 2002</p>
<p style="text-align: center;">APRIL 30, 2004</p>	<p style="text-align: center;">TEAM</p>	<p style="text-align: center;">AS NOTED</p>	<p style="text-align: center;">NO. 58</p>	<p style="text-align: center;">SHEET NO. 58</p>	<p style="text-align: center;">TOTAL SHEETS 191</p>	<p style="text-align: center;">A-16</p>

E-57

- Material Indications**
- 200 BASALTIC TOWNETE BARRIER
 - 230 BASE COURSE
 - 250 ASPHALTIC CONCRETE
 - 330 CONCRETE
 - 336 VAPOR BARRIER BELOW SLAB ON GRADE
 - 340 CONCRETE SPLASH BLOCK
 - 420 CONCRETE REINFORCING UNIT (CRU)
 - 484 SCORED CMU
 - 510 STRUCTURAL STEEL FRAMING
 - 530 METAL DECKING
 - 541 STEEL LACER
 - 556 STEEL BOLLARD CONCRETE FILL
 - 721 SPRAY-ON FIBERFLOORING
 - 722 RIGID ROOF INSULATION
 - 726 DIRECT APPLIED EXT FINISH SYSTEM
 - 728 EXT FINISH SYSTEM
 - 740 STANDING SEAM METAL ROOFING
 - 753 ELASTOMERIC COATING
 - 761 SHEET METAL GUTTER
 - 762 SHEET METAL DOWNSPOUT
 - 771 ROOF WALK
 - 810 WOOD METAL DOOR
 - 830 ALUMINUM FRAME WINDOW
 - 925 GYPSUM BOARD
 - 926 EXTERIOR GYPSUM CEILING BOARD
 - 930 CERAMIC TILE
 - 933 QUARRY TILE
 - 950 SUSPENDED LAY-IN ACOUSTICAL TILE
 - 105 WALL COVER
 - 106 SOFFIT VENT
 - 154 PVC DOWNSPOUT



1 WALL SECTION
SC 1/2" = 1'-0"

(SEE ROOF PLAN FOR ROOF DRAIN AND OVERFLOW DRAIN LOCATION)

SL 24 MAX

FIN FL EL 56.5

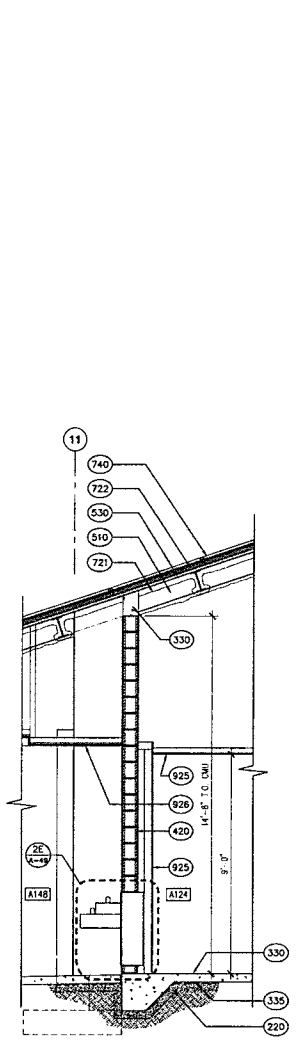
0 1' 2' 4'
SCALE: 1/2" = 1'-0"

EXTERIOR ELEVATIONS

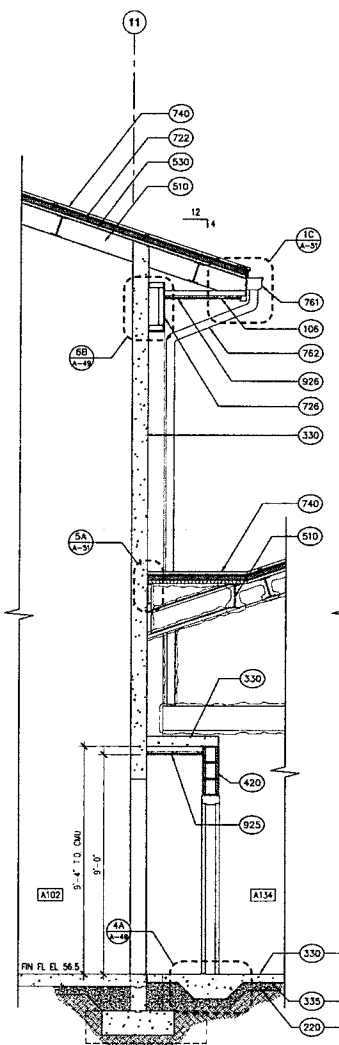
AS-BUILT DRAWINGS		7/08
DATE	DESCRIPTION	PUBLIC WORKS ADMINISTRATION
DEPT. OF ACCOUNTING & GENERAL SERVICES BUREAU OF FACILITIES MAUI ARMY NATIONAL GUARD PULUHENE ARMORY PULUHENE, MAUI, HAWAII		
ARMORY BUILDING WALL SECTIONS		
CIDS International		DATE OF ISSUE: 7/02
PROJECT NO:	15-14-7103	DRAWING NO: A-17
DATE: APRIL 30, 2004	PO	59
AS NOTED		JULY 2002
191		

E-51

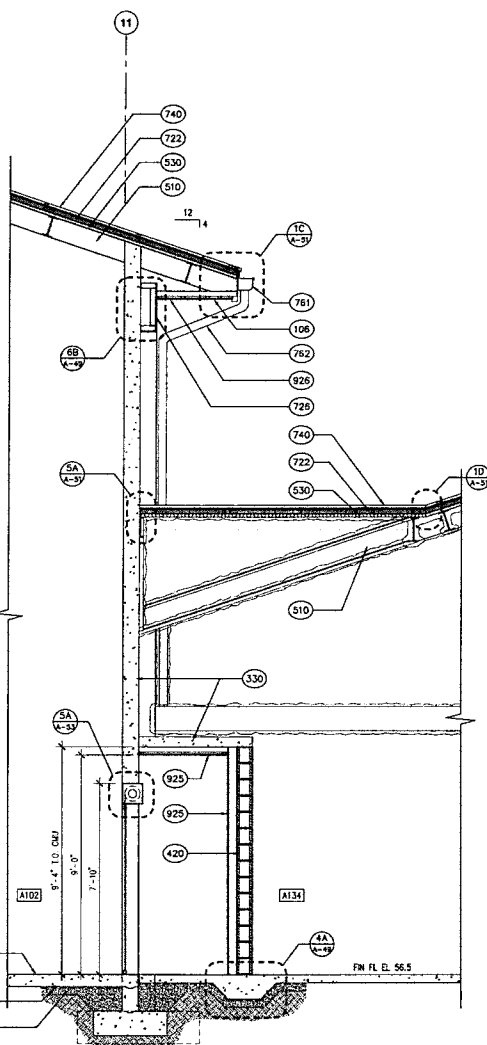
- Material Indications**
- 220 BASALTIC TERRAZZO BARRIER
 - 230 BASE COURSE
 - 250 ASPHALTIC CONCRETE
 - 330 CONCRETE
 - 335 VAPOR BARRIER BELOW SLAB ON GRADE
 - 340 CONCRETE SPLASH BLOCK
 - 420 CONCRETE MASONRY UNIT (CMU)
 - 431 SCHEDULE CM
 - 510 STRUCTURAL STEEL FRAMING
 - 520 METAL BECKING
 - 531 STEEL LAGGER
 - 536 STEEL ROLLFORM CONCRETE FILL
 - 721 SPRAY-ON FLOORPROOFING
 - 722 RIGID ROOF INSULATION
 - 726 DIRECT APPLIED EXT FINISH SYSTEM
 - 733 EXT FINISH SYSTEM
 - 740 STANDING SEAM METAL ROOFING
 - 753 ELASTOMERIC COATING
 - 761 SHEET METAL CUTTER
 - 762 SHEET METAL DOWNSPOUT
 - 771 ROOF MATCH
 - 810 HOLLOW METAL DOOR
 - 820 ALUMINUM FRAME BEZEL
 - 825 OPSM BOARD
 - 920 EXTERIOR OPSM CEILING BOARD
 - 923 CERAMIC TILE
 - 933 QUARRY TILE
 - 950 SUSPENDED LAT-M ACoustical TILE
 - 100 WALL CORNER
 - 106 SOFTIT VENT
 - 134 PVC DOWNSPOUT



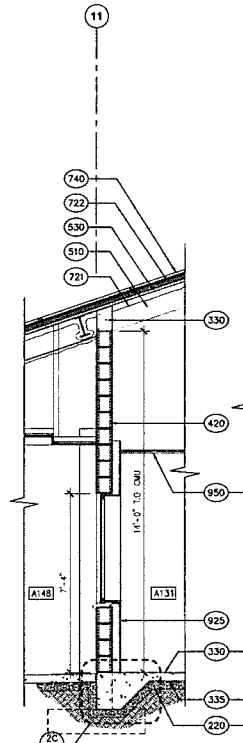
5 WALL SECTION
SC: 1/2" = 1'-0"



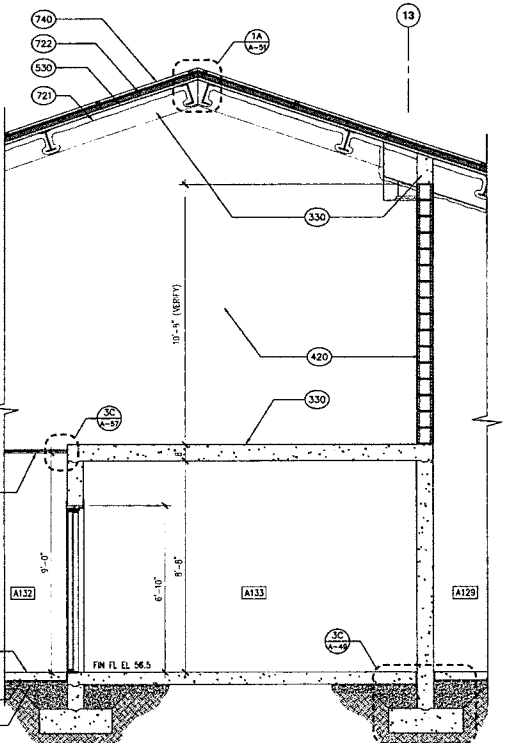
4 WALL SECTION
SC: 1/2" = 1'-0"



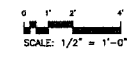
3 WALL SECTION
SC: 1/2" = 1'-0"



2 WALL SECTION
SC: 1/2" = 1'-0"



1 WALL SECTION THRU VAULT
SC: 1/2" = 1'-0"



NO.	DATE	DESCRIPTION	BY	CHKD.	SCALE
DEPT. OF ACCOUNTING & GENERAL SERVICES OFFICE OF PUBLIC WORKS STATE OF HAWAII MAUI ARMY NATIONAL GUARD PUNENE ARMORY PUNENE, MAUI, HAWAII ARMORY BUILDING WALL SECTION THRU VAULT					
<small>THIS DRAWING PREPARED BY OR ON BEHALF OF CONTRACTOR</small>					
CDS International <small>15-14-7103</small>		A-18			
<small>DATE:</small> APRIL 30, 2004	<small>DESIGNED BY:</small> RD	<small>DRAWN BY:</small> PD	<small>CHECKED BY:</small> PD	<small>DATE:</small> JULY 2002	<small>SCALE:</small> 1/2" = 1'-0"
<small>AS NOTED</small>					