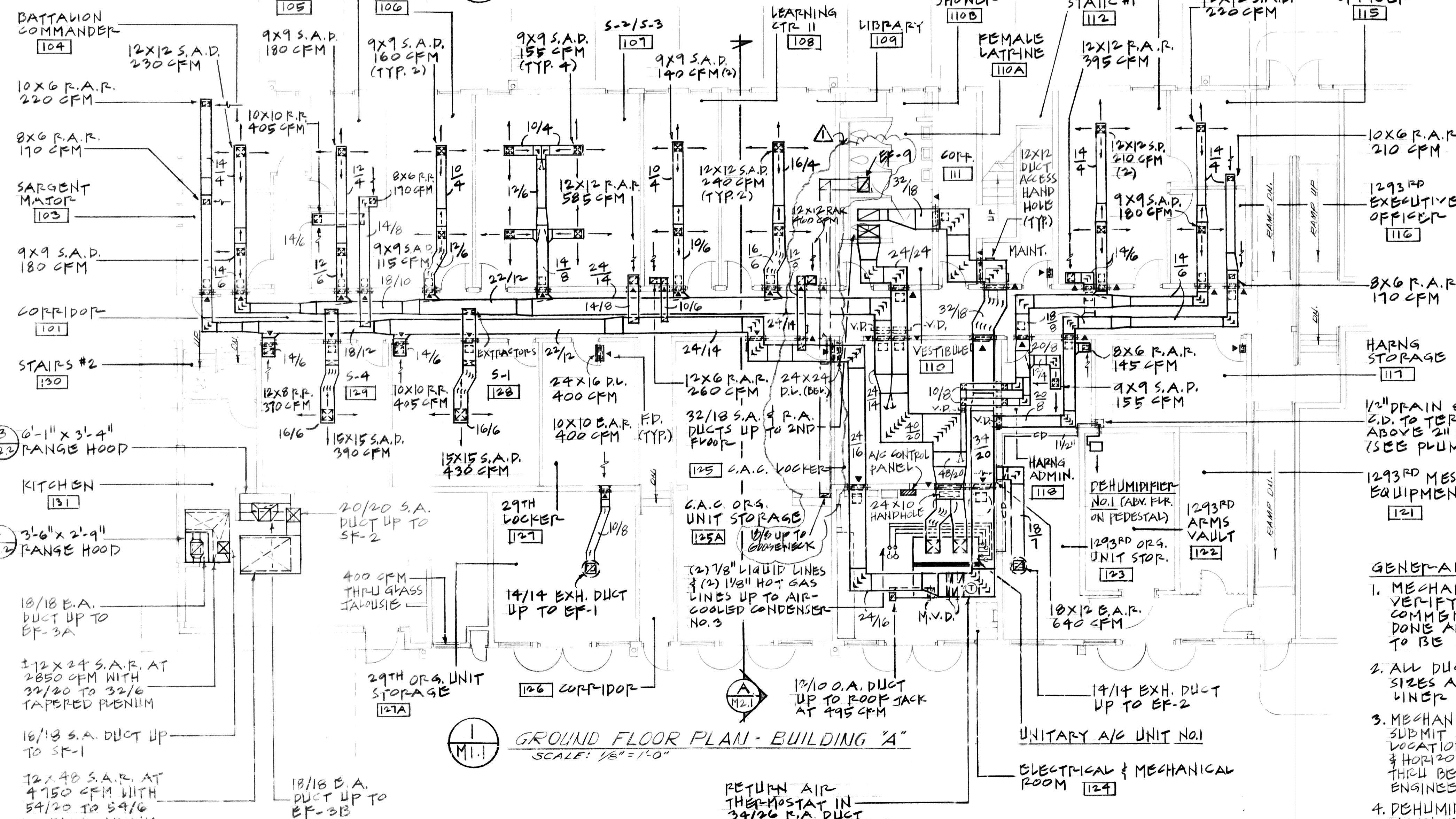


2 SECOND FLOOR PLAN - BUILDING "A"  
SCALE: 1/8" = 1'-0"



1 GROUND FLOOR PLAN - BUILDING "A"  
SCALE: 1/8" = 1'-0"

SYMBOLS	ABBREVIATIONS	DESCRIPTIONS
— CD —	C.D.	CONDENSATE DRAIN
⊠	E.A.R. OR P.A.R.	EXHAUST AIR OR RETURN AIR REGISTER
⊞		EXTRACTORS
⊞	F.D.	FIRE DAMPER
⊞		FLEXIBLE CONNECTION
⊞	M.V.D.	MANUAL VOLUME DAMPER (OPPOSED BLADE)
⊞	O.A. OR P.A.	OUTSIDE AIR OR RETURN AIR DUCTS UP OR DOWN
⊞		SIDEWALL RETURN REGISTER
⊞		SIDEWALL SUPPLY REGISTER
⊞	S.D.	SPLITTER DAMPER
⊞	S.A.D.	SUPPLY AIR DIFFUSER
⊞	S.A.	SUPPLY AIR DUCTS UP AND DOWN
⊞	T.V.	TURNING VANES
⊞		WALL MOUNTED THERMOSTAT
⊞	A.F.F.	ABOVE FINISH FLOOR
CFM	CFM	CUBIC FEET PER MINUTE
D.G.	D.G.	DOOR GRILLE
D.L.	D.L.	DOOR LOUVER
DB	DB	DRY BULB
E.A.	E.A.	ENTERING AIR
E.F.	E.F.	EXHAUST FAN
E.S.P.	E.S.P.	EXTERNAL STATIC PRESSURE
FN	FN	FINS
H.P.	H.P.	HORSEPOWER
MIN. DEFL.	MIN. DEFL.	MINIMUM DEFLECTION
MBH	MBH	THOUSAND BRITISH THERMAL UNIT PER HOUR
RPM	RPM	REVOLUTION PER MINUTE
SENS.	SENS.	SENSIBLE HEAT
SPR.	SPR.	SPRING
WB	WB	WET BULB
T.R.	T.R.	TRANSFER REGISTER
F.S.	F.S.	FLOOR SINK

**GENERAL NOTES:**

5. FIRE DAMPERS IN DUCTS SHALL BE CONSTRUCTED & TESTED IN ACCORDANCE WITH UL SAFETY STANDARD 555, 1/2 HR. FIRE PROTECTION RATING, 160°F FUSIBLE LINK, INCLUDE UL LABEL, & FOR VERTICAL OR HORIZONTAL INSTALLATION. PUSKIN TYPE JDD2 STYLE B, AIR BALANCE INC. MODEL NO. 119 BULK, OR APPROVED EQUAL.

6. FIRE DAMPERS BEHIND DOOR LOUVERS SHALL BE SAME AS F.D. IN DUCTS EXCEPT THIN-LINE TYPE PUSKIN TYPE JDDT STYLE A, AIR BALANCE INC. MODEL NO. 119 TYPE F, OR APPROVED EQUAL.

7. ALL FIRE DAMPERS SHALL BE INSTALLED IN 10 GAUGE SHT. MET. SLEEVES.

8. MAINT. & RM. 117 DOORS SHALL BE PROVIDED WITH (2) FIRE DAMPERS.

9. F.D.'S IN R.A. DUCTS AFTER P.A.R.'S WITH 10 GA. SHT. MET. DUCTS TO FIRE WALL FOR R.F.M.S. 101, 108, & 109.

**GENERAL NOTES:**

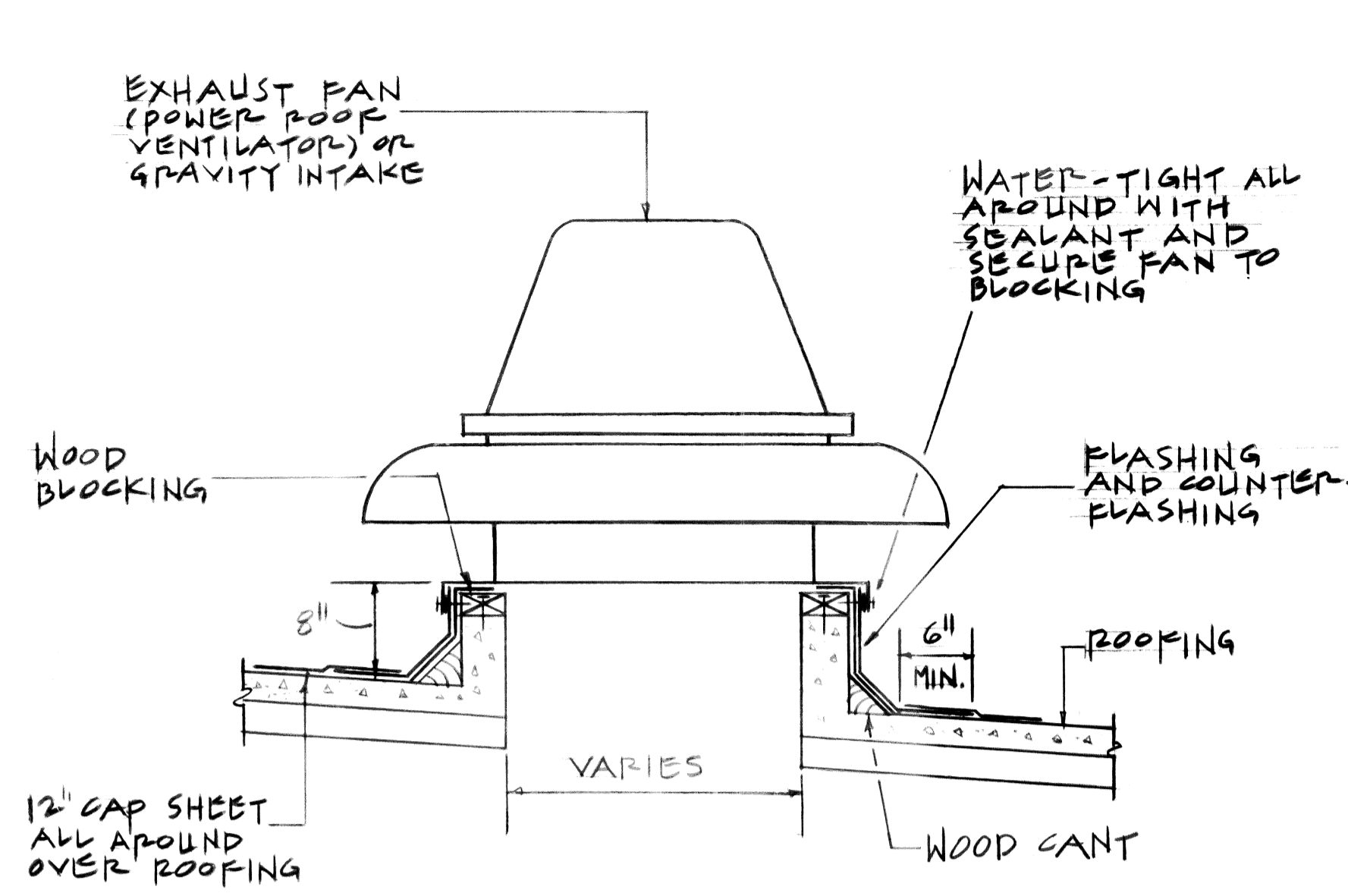
1. MECHANICAL CONTRACTOR TO VERIFY ALL CONDITIONS PRIOR TO COMMENCING OF ALL WORK TO BE DONE AND COORDINATE ALL WORK TO BE DONE WITH OTHER TRADES.

2. ALL DUCT DIMENSIONS ARE NET SIZES AND DO NOT INCLUDE 1" DUCT LINER AND DUCT REINFORCEMENT.

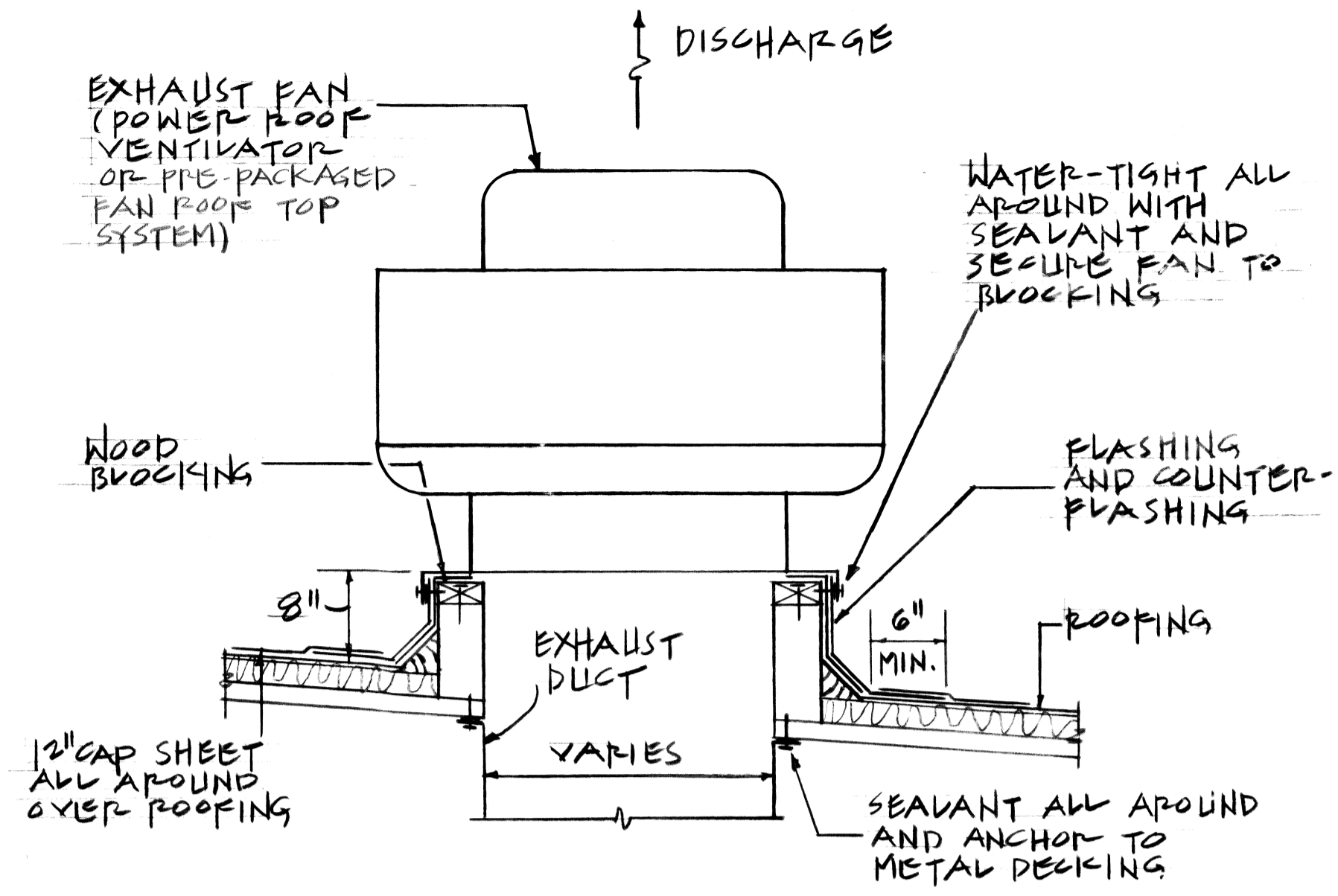
3. MECHANICAL CONTRACTOR SHALL SUBMIT SHOP DRAWINGS INDICATING LOCATIONS BY DIMENSIONS VERTICALLY & HORIZONTALLY OF ALL PENETRATIONS THRU BEARING WALLS TO STRUCTURAL ENGINEER.

4. DEHUMIDIFIER NO.1 & NO.2 TO BE MOUNTED ON GALVANIZED STEEL PEDESTAL ± 21" A.F.F.

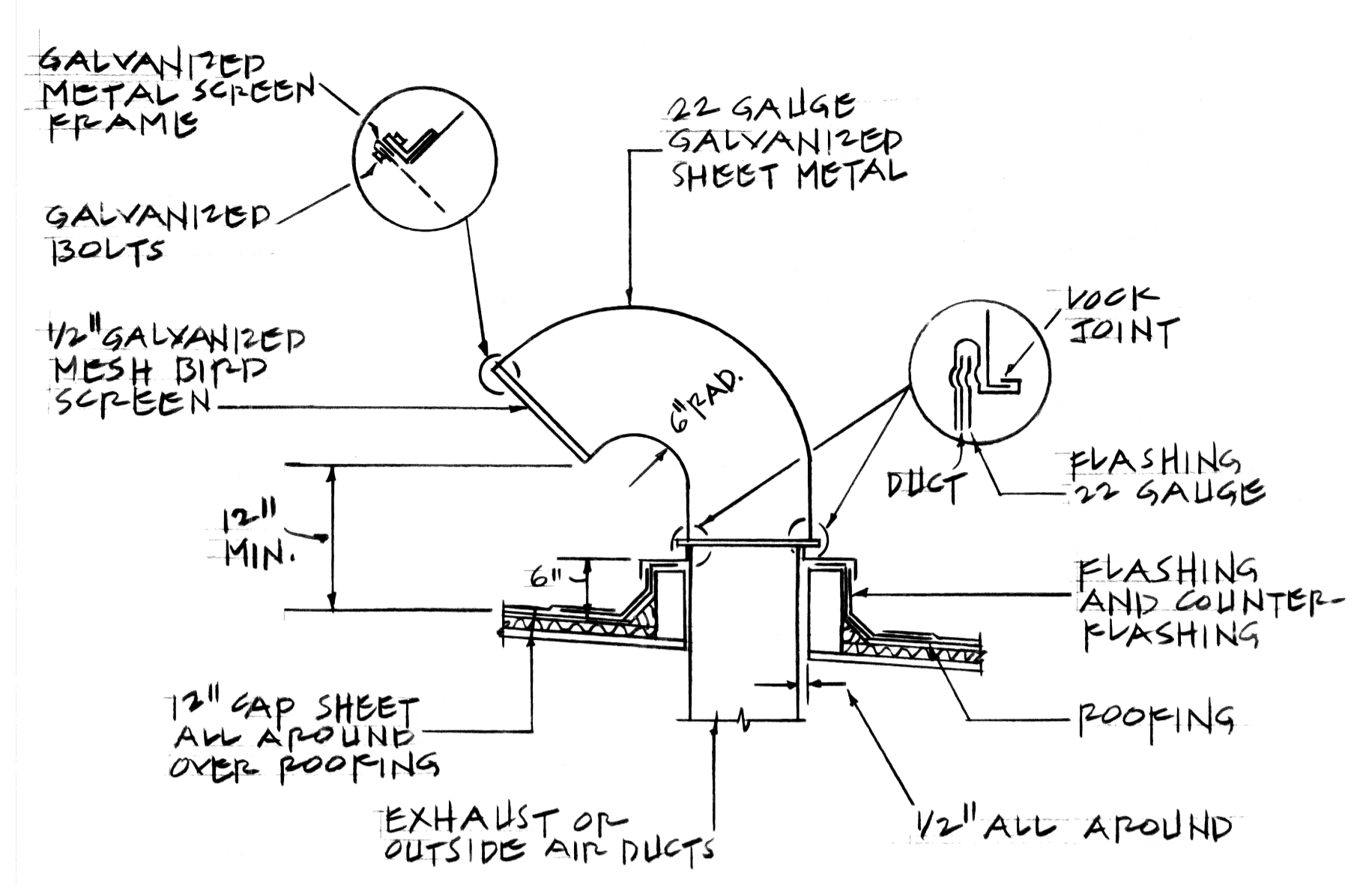
CLARIF. DWG. FOR ADD. INFO	2	DELETE GENERAL NOTES # 6 & # 8.	18	11-1-92	
ADD INFO. P.A.R.'S & VENT. & FEMALE LATRINE	5		23	8-10-92	
REVISION NO.	SYM.	DESCRIPTION	SHT.	DATE	APPROVED STATE PUBLIC WORKS ENGINEER
DEPT. OF ACCOUNTING & GENERAL SERVICES DIVISION OF PUBLIC WORKS STATE OF HAWAII					
<b>300-PERSON ARMORY WHEELER A.F.B.</b>					
BUILDING "A" - A.C. & VENT. GRP. & 2ND FLOOR PLANS, LEGEND, AND NOTES					
WILSON OKAMOTO & ASSOC.		DAGS JOB NO.		DRAWING NO.	
DESIGNED BY: P.T.	CHECKED BY: G.C.	02-14-2609	MI-1		
DRAWN BY: P.T.	APPROVED BY:	DATE	SHEET		
SCALE: AS NOTED		3 2 2		OF 75 SHTS	



2 FAN CURBING DETAIL  
SCALE: NONE



3 FAN CURBING DETAIL  
SCALE: NONE

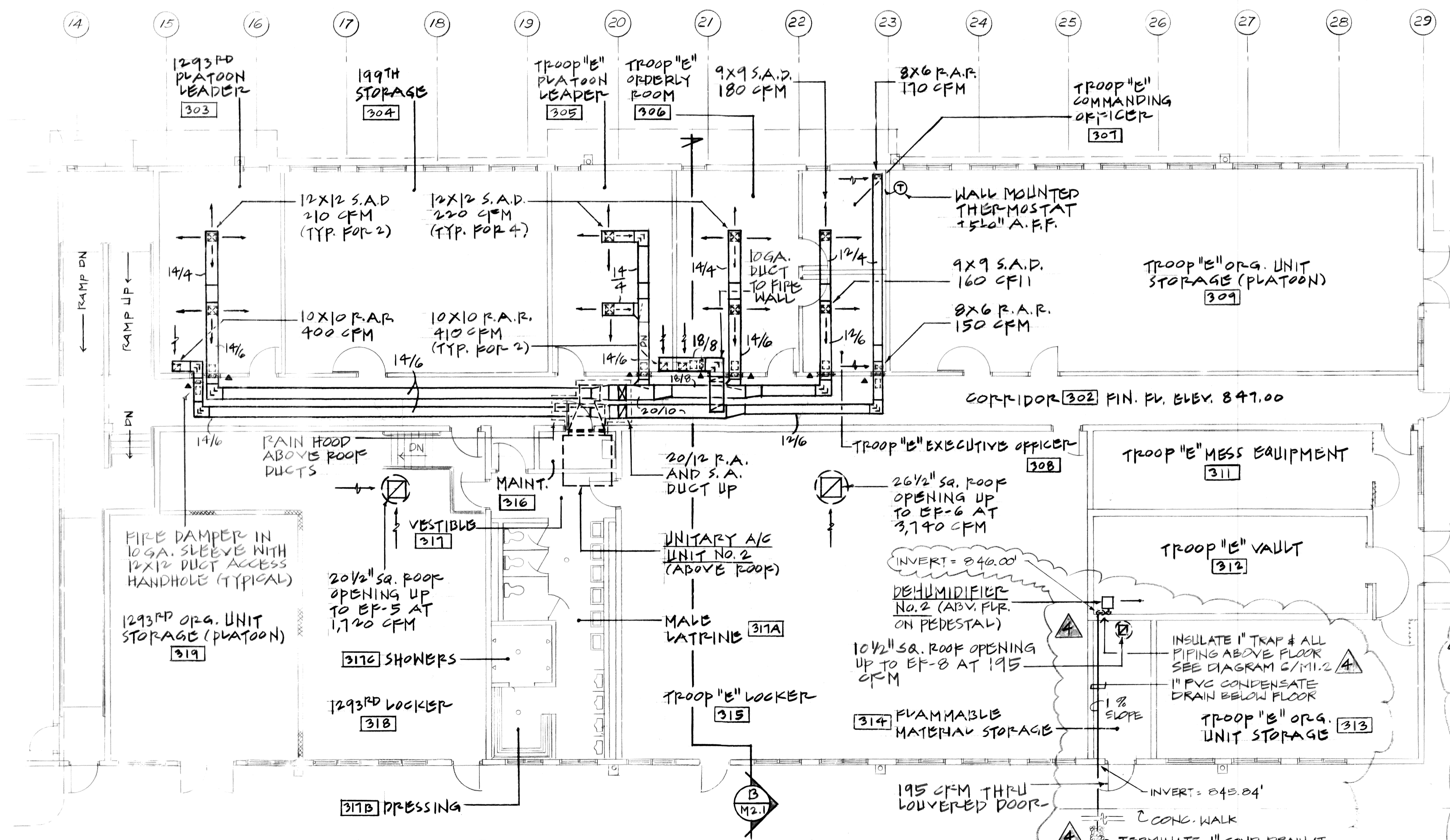


4 ROOF JACK DETAIL  
SCALE: NONE

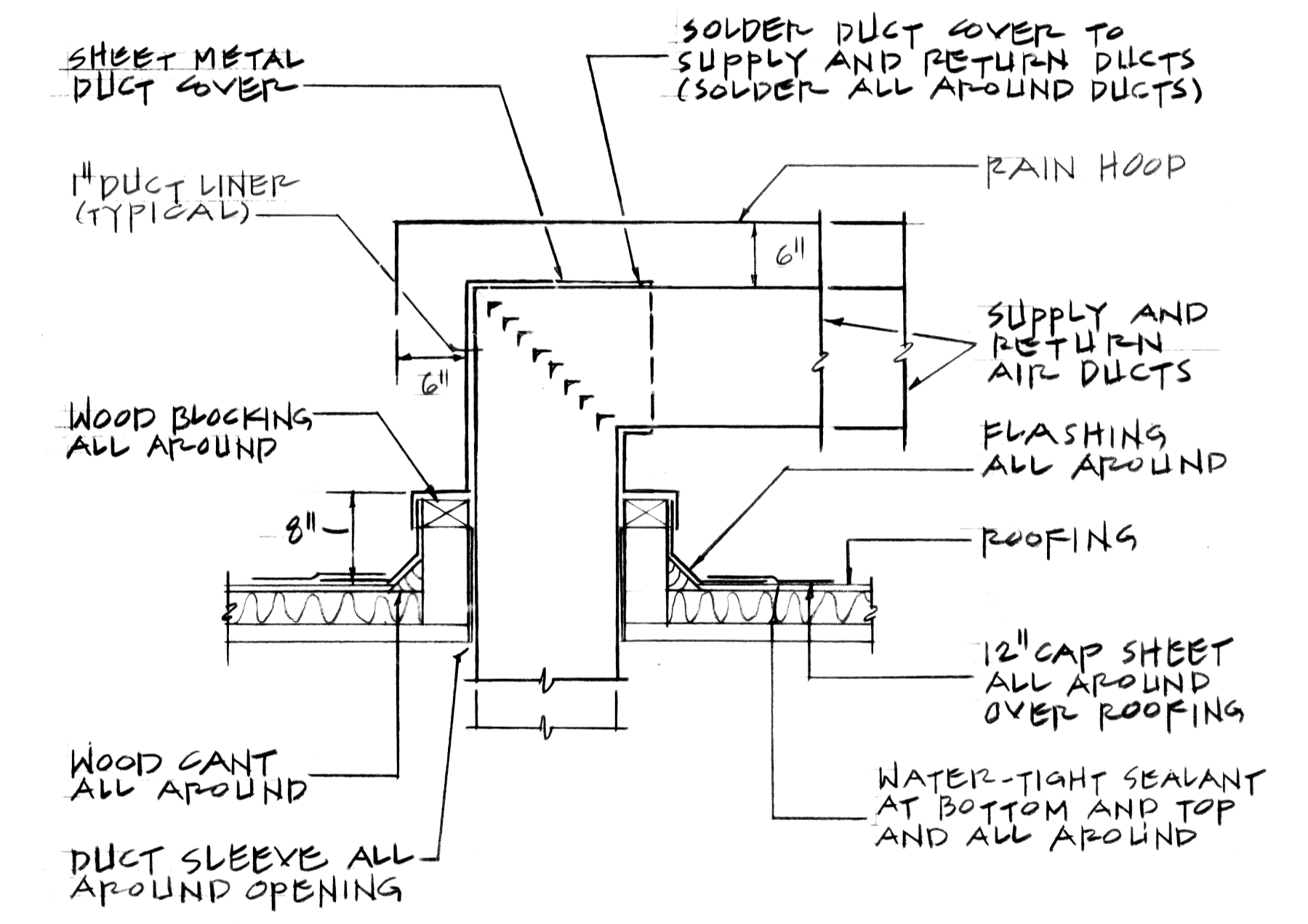
NOTES: (ROOF JACK)  
1. USE GALVANIZED SH. METAL FOR DUCTWORK - (26 GAUGE) FOR MAX. SIDE DUCT SIZE UP TO 12" AND (24 GAUGE) FOR MAXIMUM SIDE DUCT SIZE 13" TO 30".

GENERAL NOTES:  
1. FOR FAN CURBING AND ROOF JACK CURBING CONSTRUCTION, SEE ARCHITECTURAL DRAWINGS.  
2. WATER-TIGHT SEALANT AT BOTTOM & TOP AND ALL AROUND 12" CAP SHEETS.

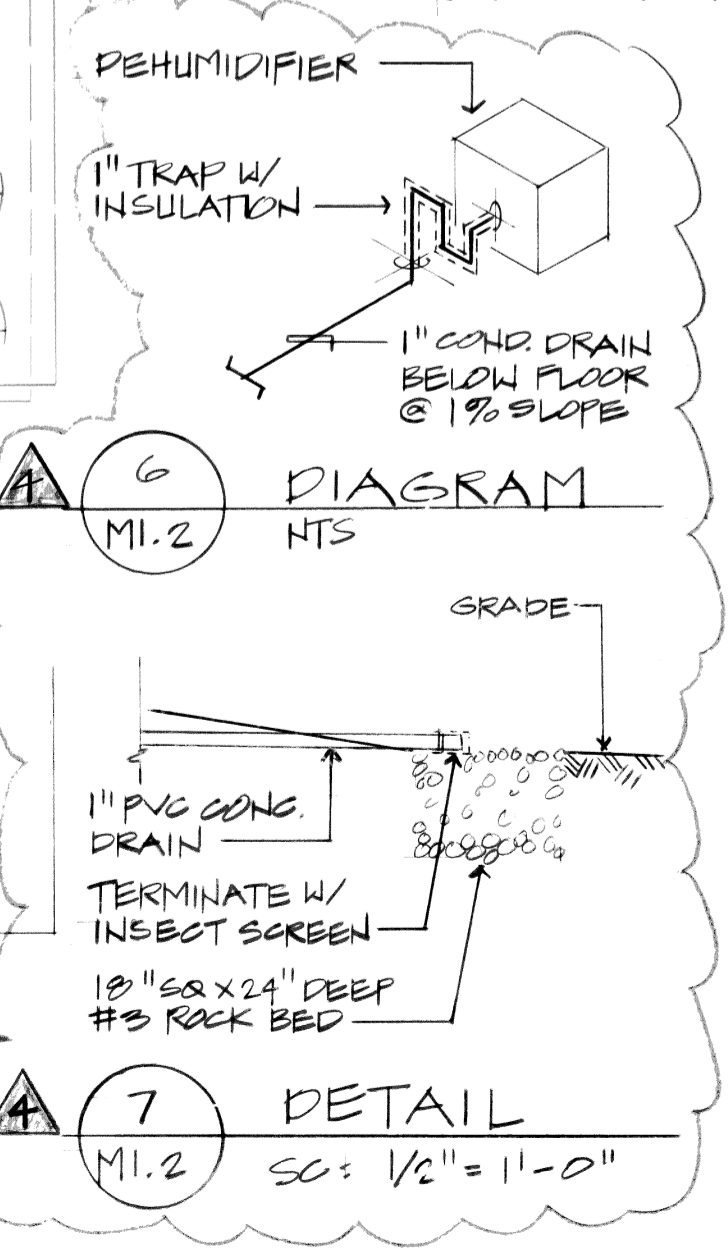
NOTES:  
1. PRE-PACKAGED FAN ROOF TOP SYSTEMS HAVE EXHAUST AND SUPPLY AIR-DUCTS.



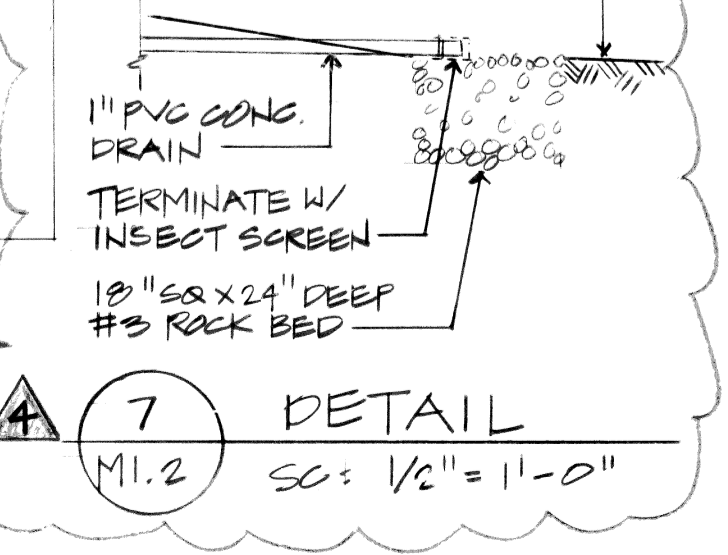
1 GROUND FLOOR PLAN - BUILDING 'B'  
SCALE: 1/8" = 1'-0"



5 DUCT CURBING DETAIL  
SCALE: NONE

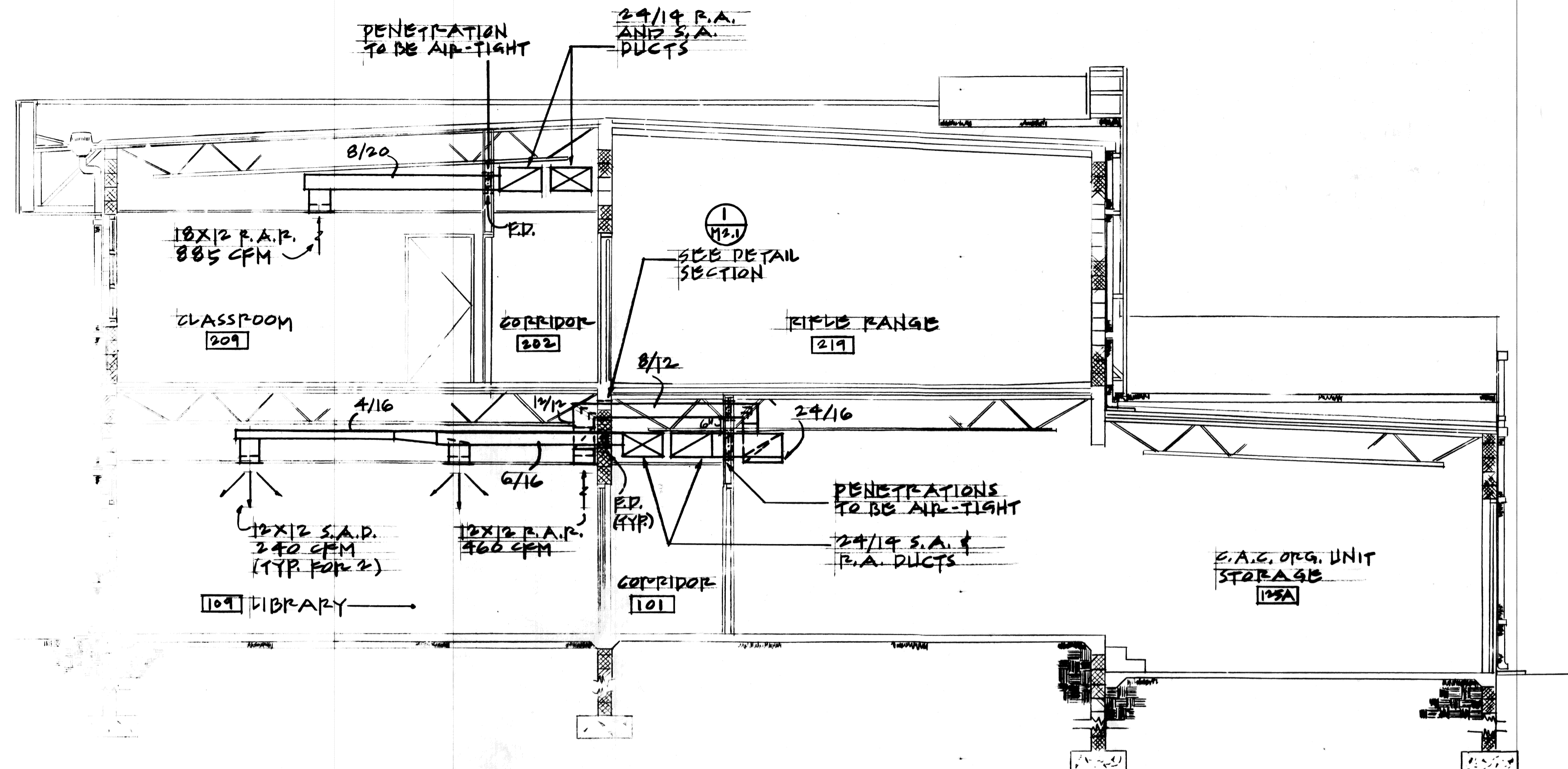


6 DIAGRAM  
SCALE: NONE

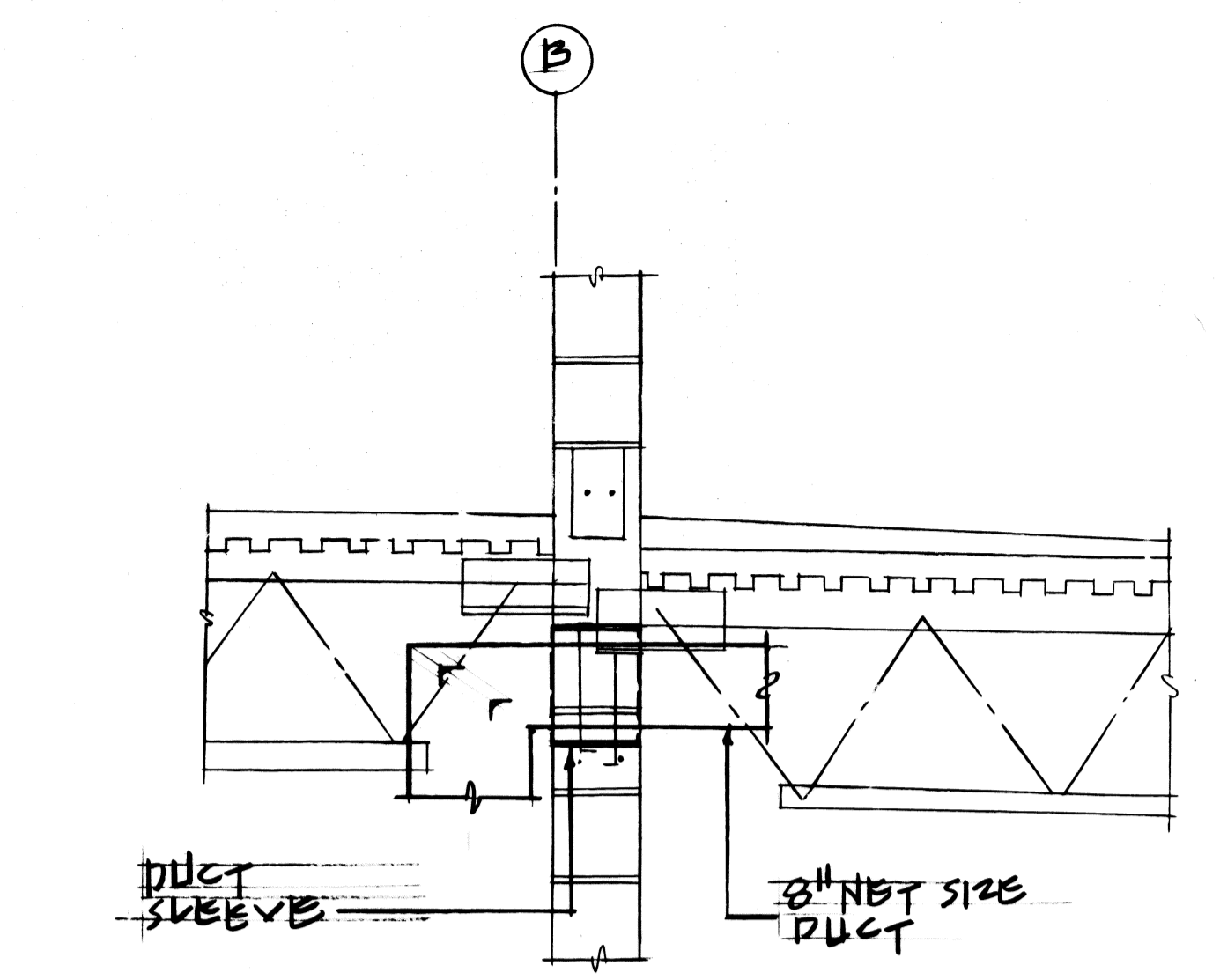


7 DETAIL  
SCALE: 1/2" = 1'-0"

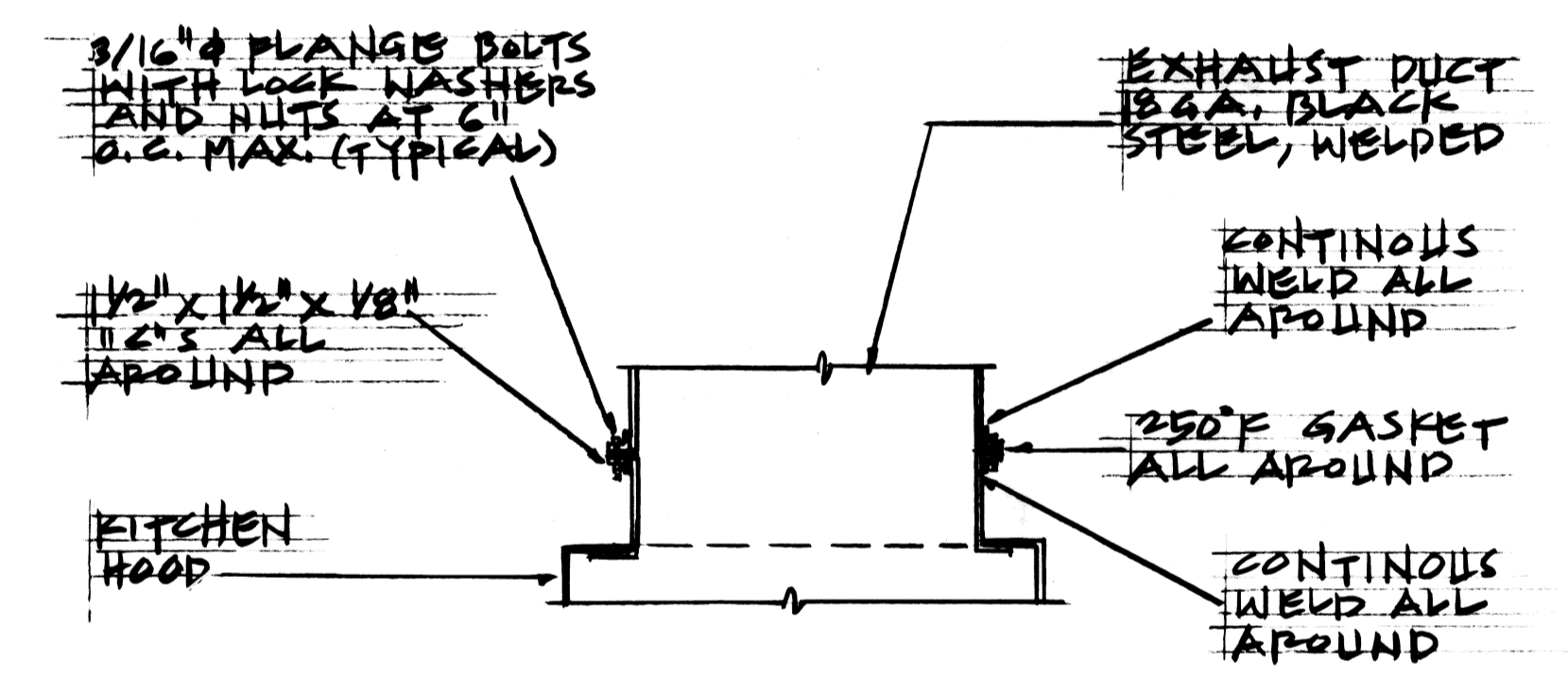
AS-BUILT		1-6-84	
ADD CONDENSATE DRAIN LINE	4 of 8	1/20/83	
REVISION NO.	SYMBOL	DESCRIPTION	DATE
APPROVED: STATE PUBLIC WORKS ENGINEER			
DEPT. OF ACCOUNTING & GENERAL SERVICES DIVISION OF PUBLIC WORKS STATE OF HAWAII			
300-PERSON ARMORY WHEELER A.F.B.			
BUILDING 'B' - A.C. & VENT. GROUND FLOOR PLAN AND DETAILS			
DESIGNED BY: WILSON OKAMOTO & ASSOC.	CHECKED BY: G.C.	DRAWN BY: R.T.	DRAWING NO. 02-14-26-09
APPROVED BY: [Signature]	DATE: 8-2-82	SHEET: 3	OF: 10
SCALE: AS NOTED			



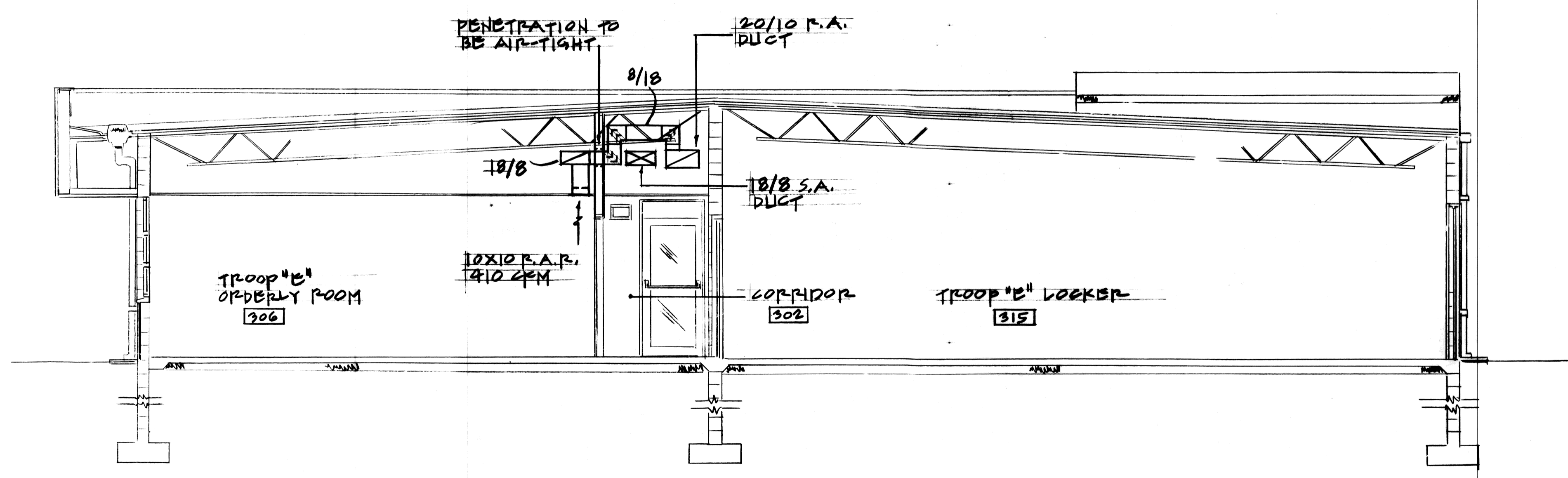
**(A)** SECTION (BUILDING "A")  
SCALE: 1/4" = 1'-0"



**(T)** TYPICAL SECTION THRU BEARING WALL  
SCALE: 3/4" = 1'-0"

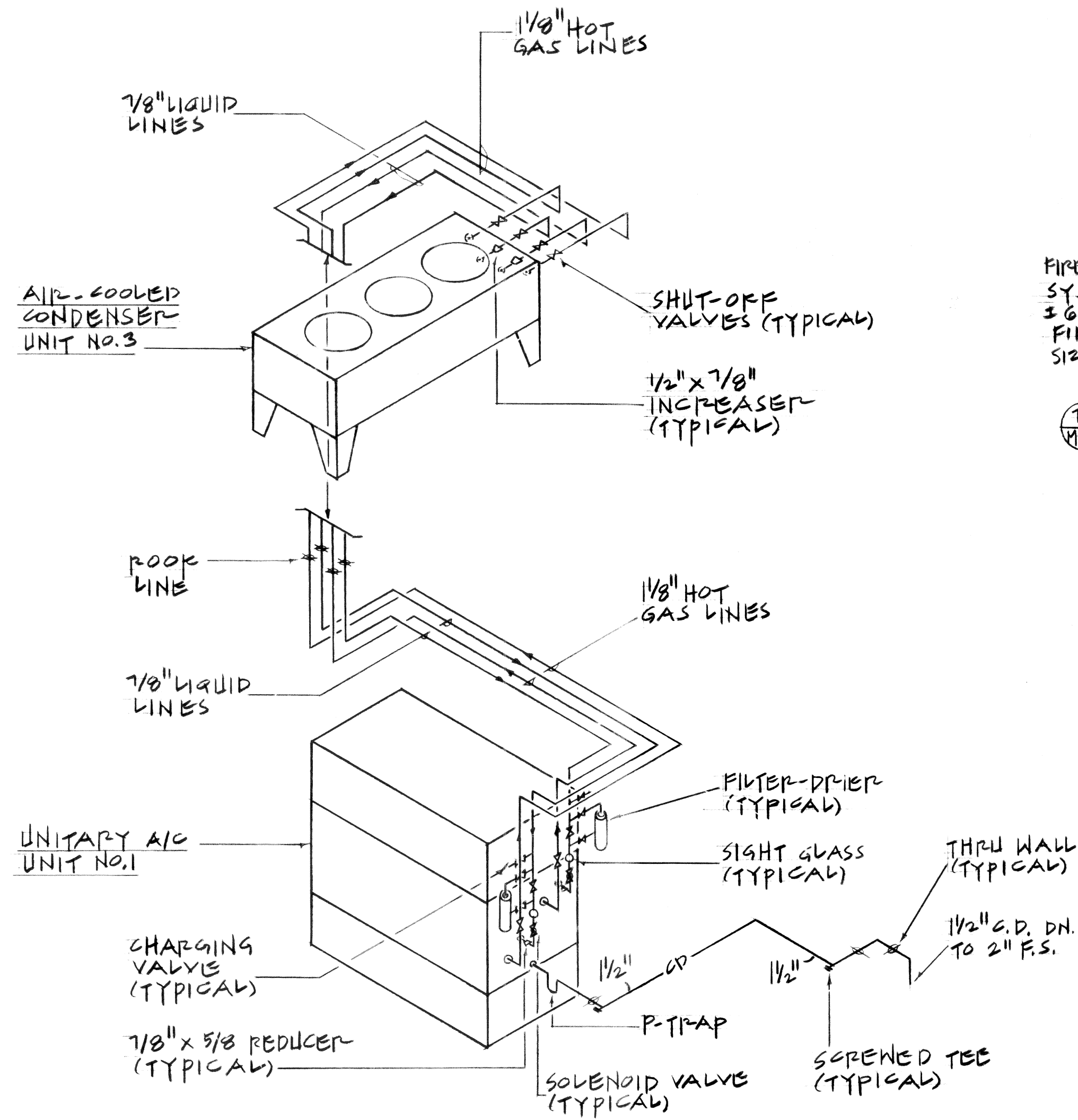


**(2)** HOOD CONNECTION DETAIL  
SCALE: NONE

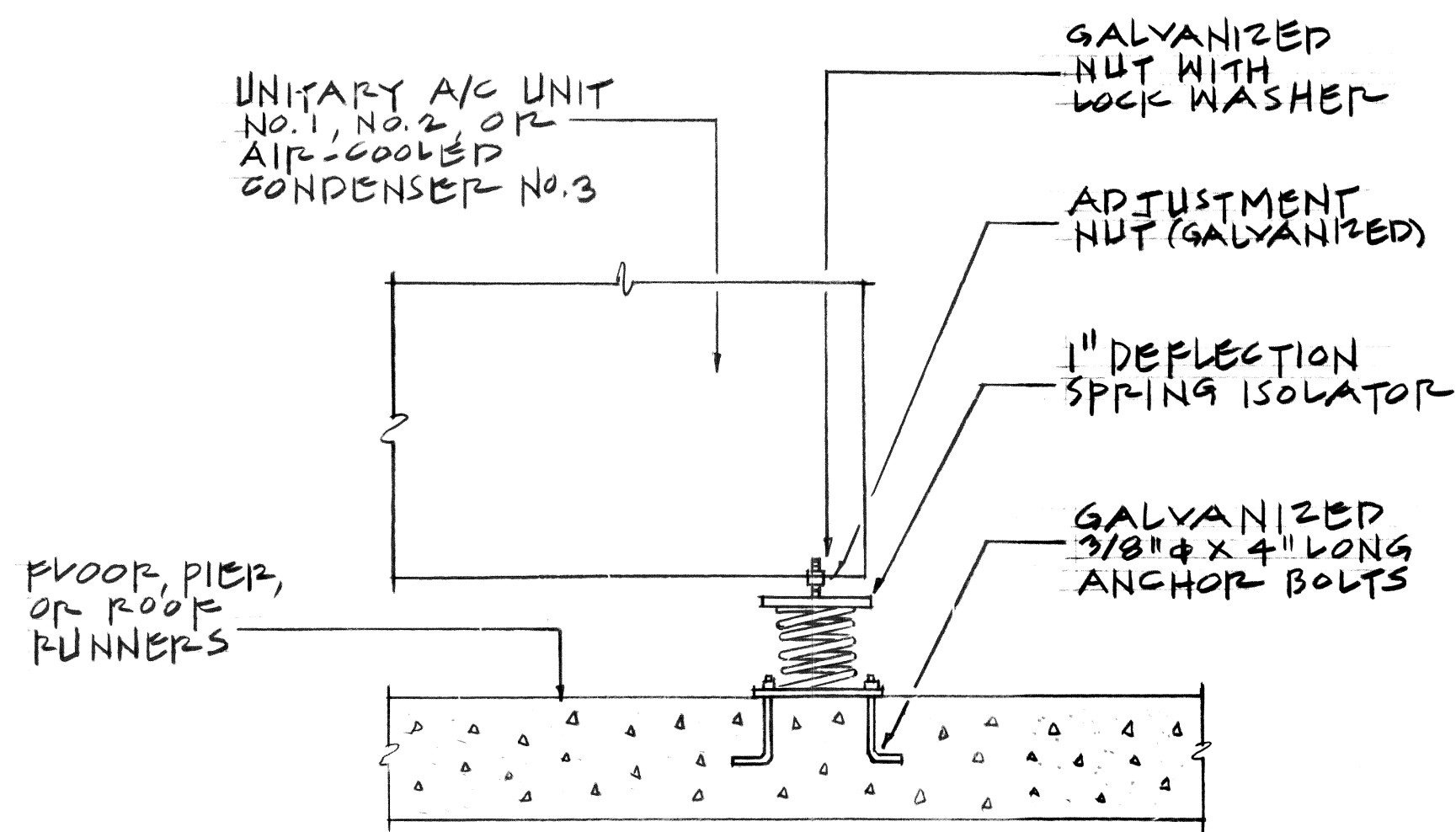


**(B)** SECTION (BUILDING "B")  
SCALE: 1/4" = 1'-0"

AS-BUILT		1-6-84	<i>J. H. H. H.</i>
REVISION NO.	STA.	DESCRIPTION	APPROVED: STATE PUBLIC WORKS ENGINEER
DEPT. OF ACCOUNTING & GENERAL SERVICES DIVISION OF PUBLIC WORKS STATE OF HAWAII			
<b>300-PERSON ARMORY WHEELER A.F.B.</b>			
BUILDING "A" & "B" - SECTIONS, DETAILS, AND NOTES.			
DESIGNED BY: P.T.		CHECKED BY: G.C.	DRAWING NO. <b>M2.1</b>
DRAWN BY: P.T.		APPROVED BY:	DATE 8-2-82
SCALE:		SHEET 60 OF 75 SHEETS	

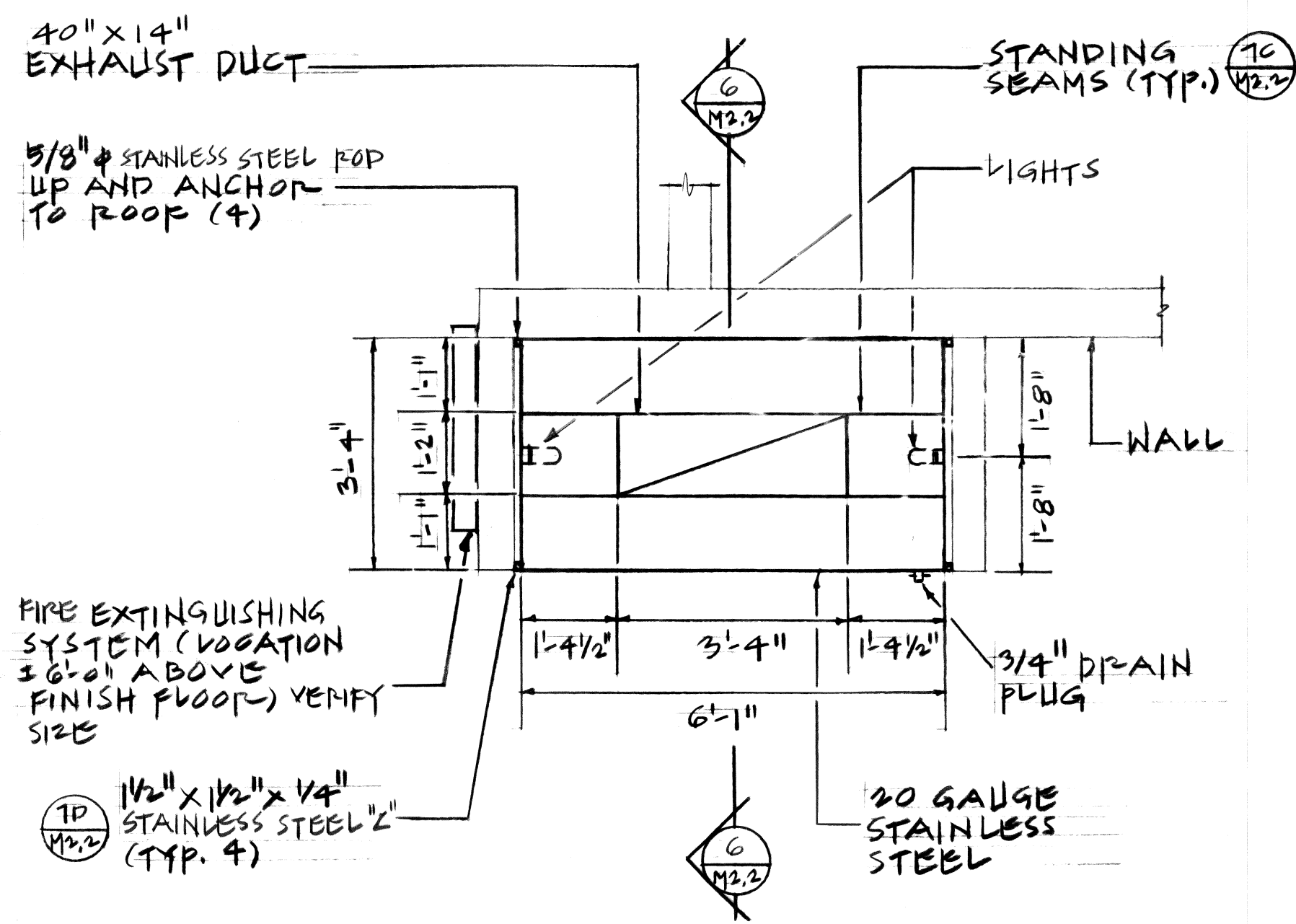


1 REFRIGERANT PIPING DIAGRAM (BUILDING "A")  
SCALE: NONE

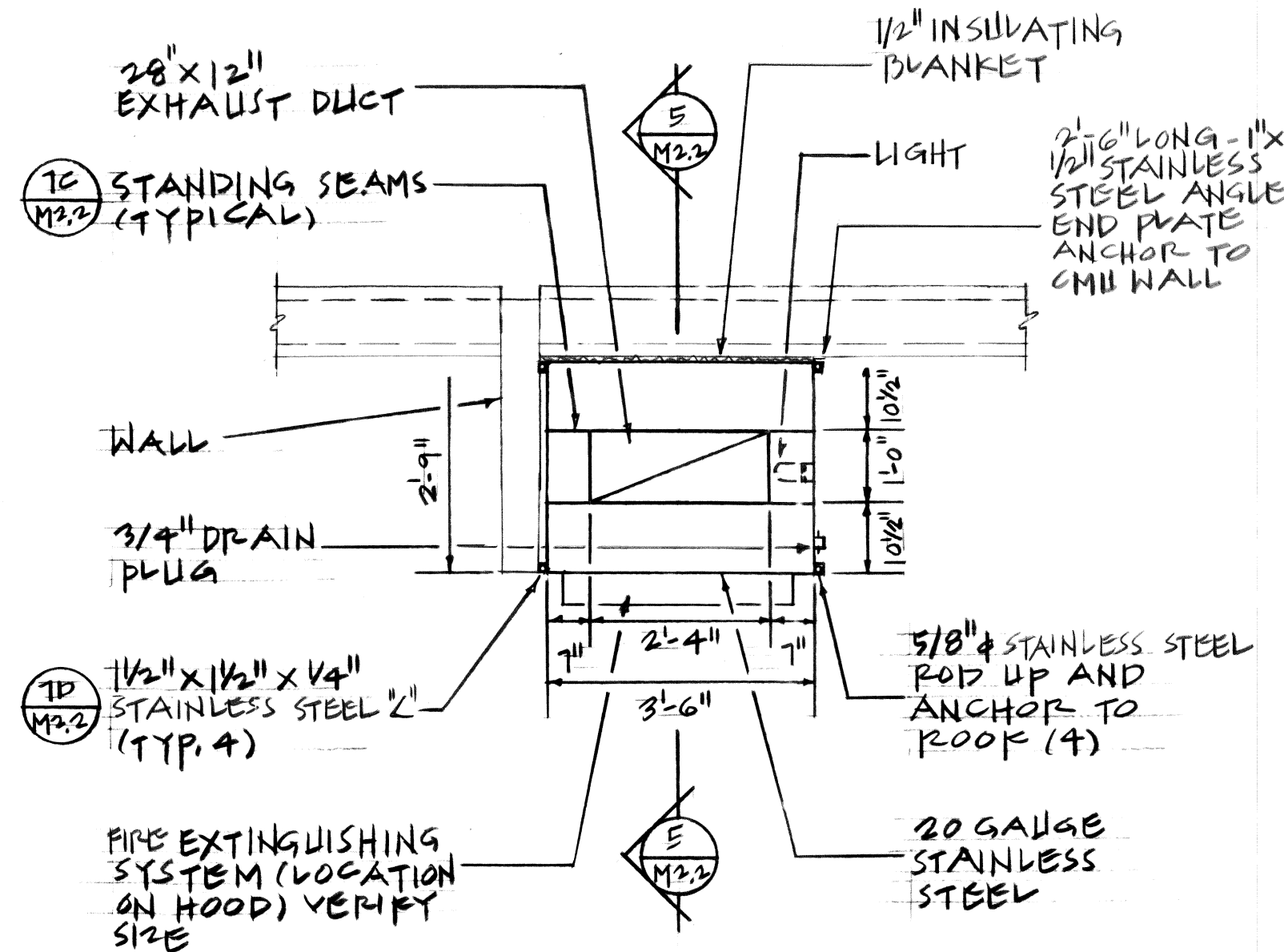


NOTE: FOR UNITARY A/C UNIT AND AIR-COOLED CONDENSER ON ROOFS, 3/8" BOLTS WITH LOCK WASHERS & NUTS ANCHORED TO "I" BEAMS. SEE MECH. EQUIP. STAND DETAIL 27/A1.5.

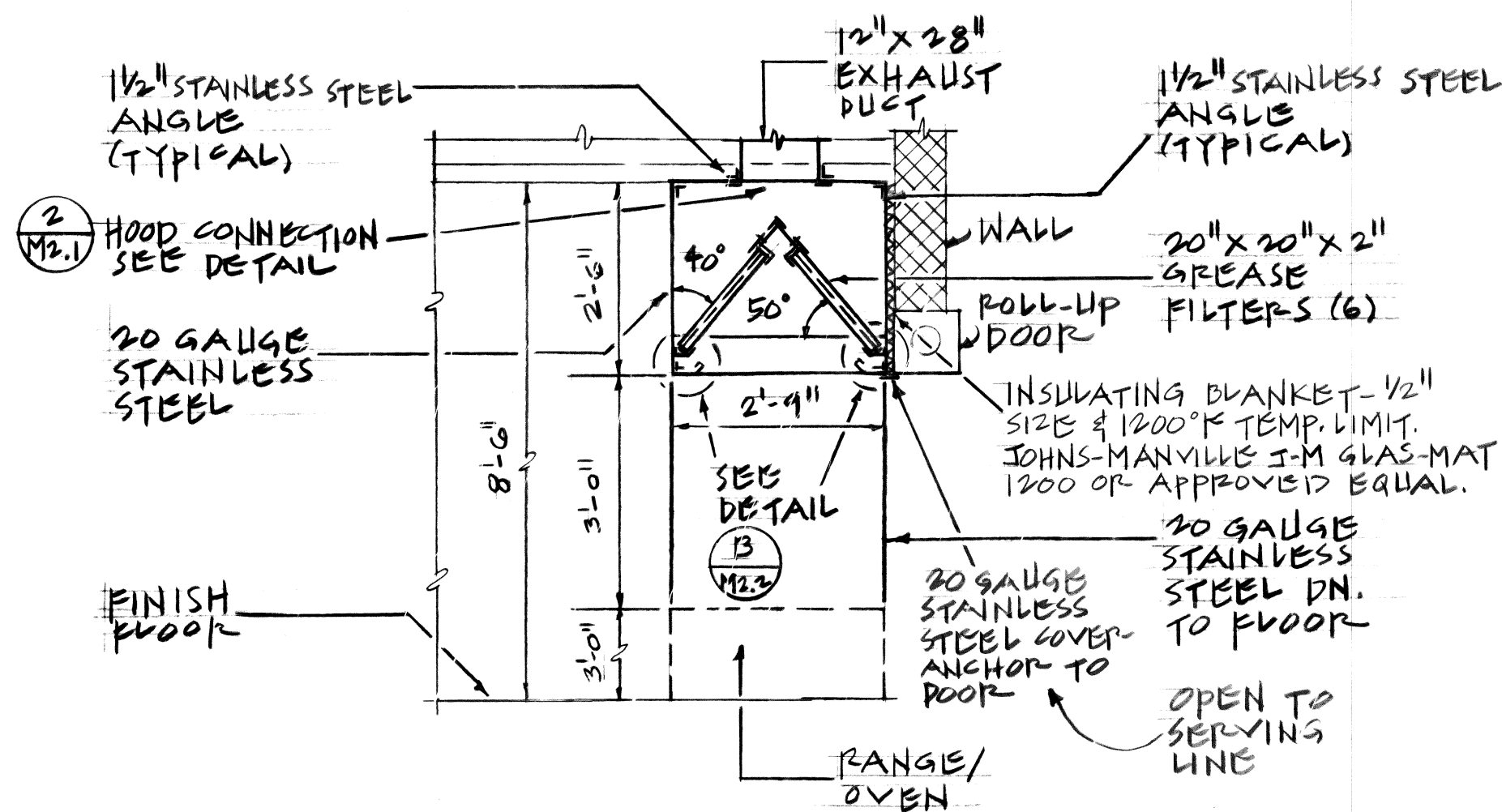
2 VIBRATION ISOLATOR DETAIL  
SCALE: NONE



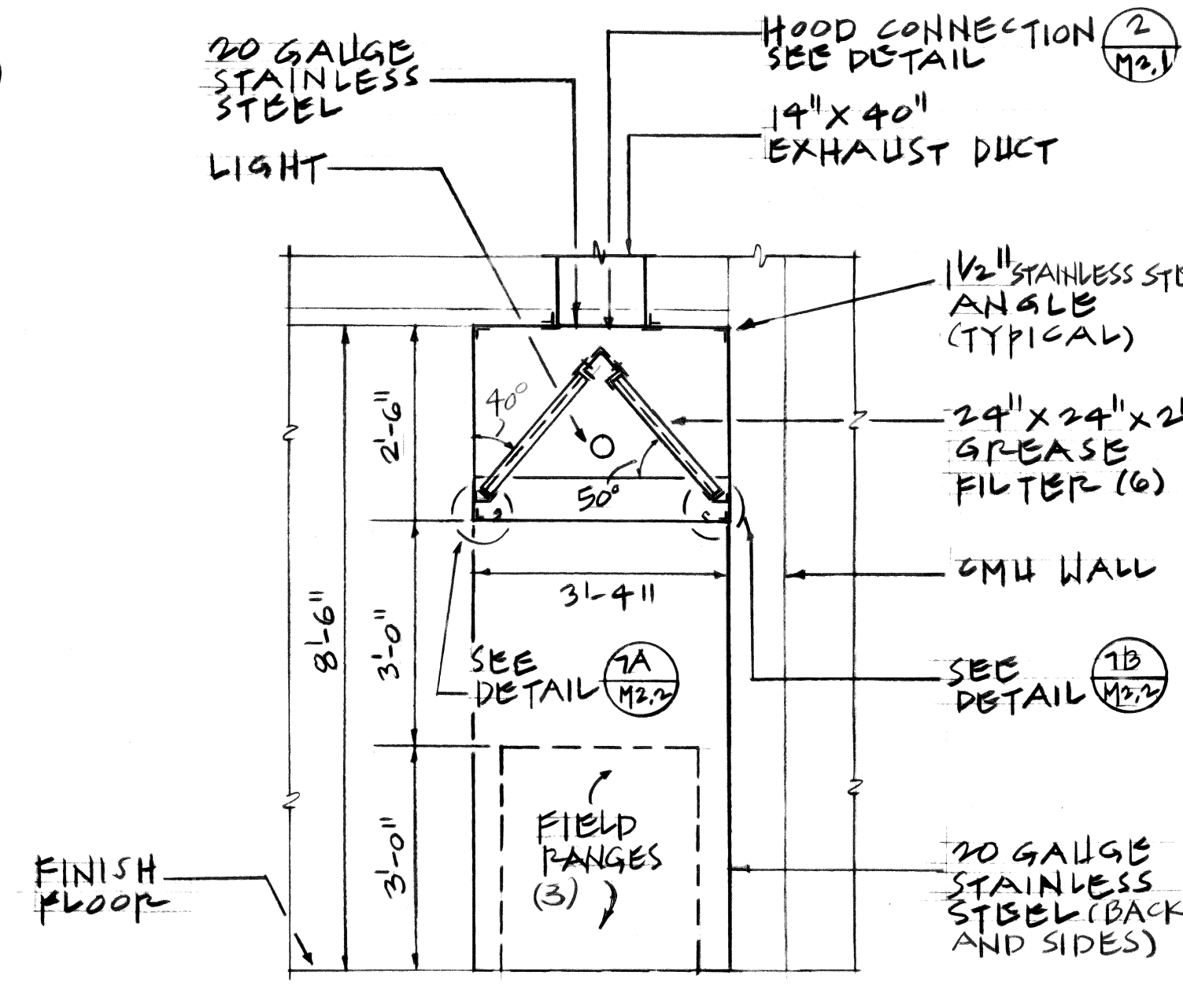
3 KITCHEN HOOD PLAN  
SCALE: 1/2" = 1'-0"



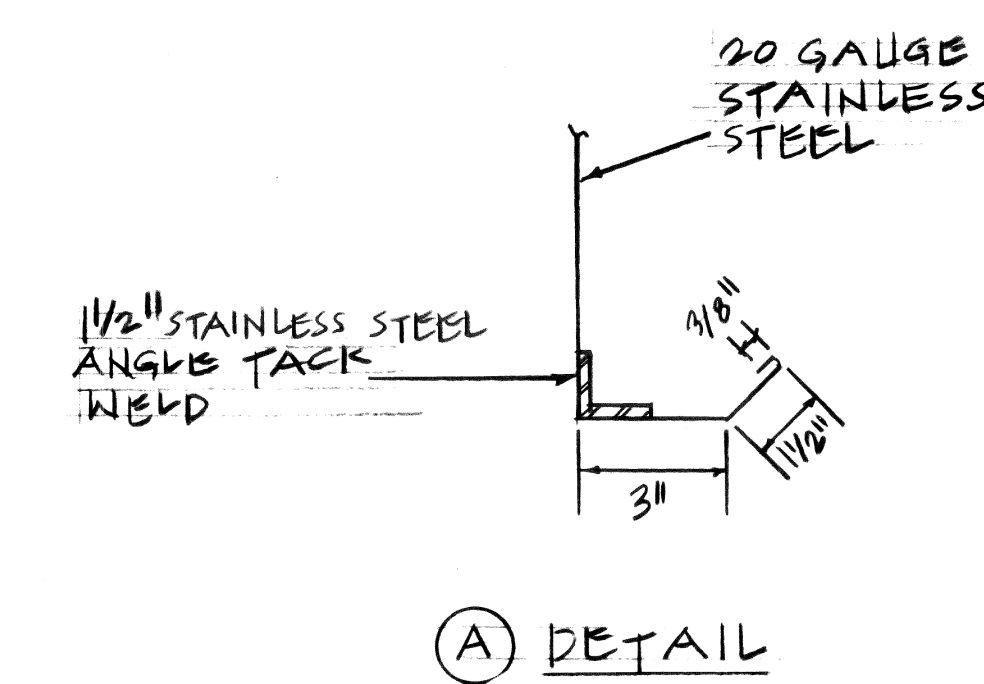
4 KITCHEN HOOD PLAN  
SCALE: 1/2" = 1'-0"



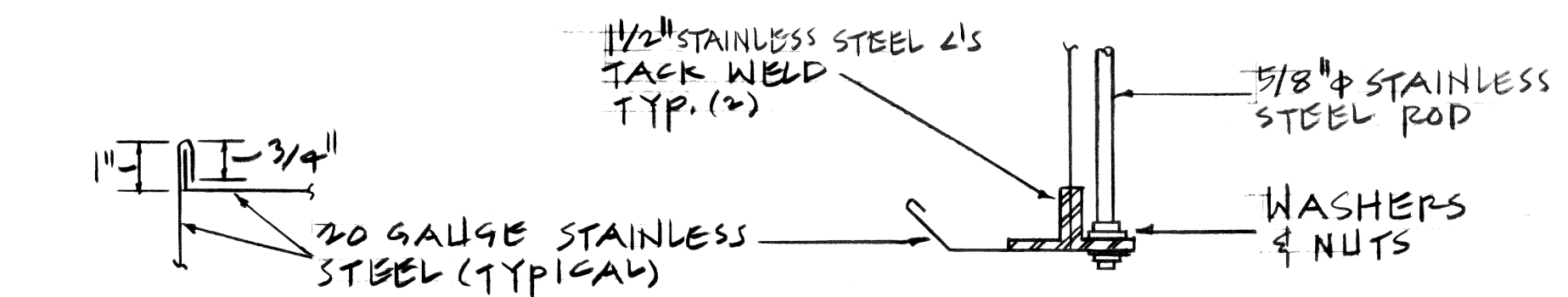
5 SECTION THRU HOOD  
SCALE: 1/2" = 1'-0"



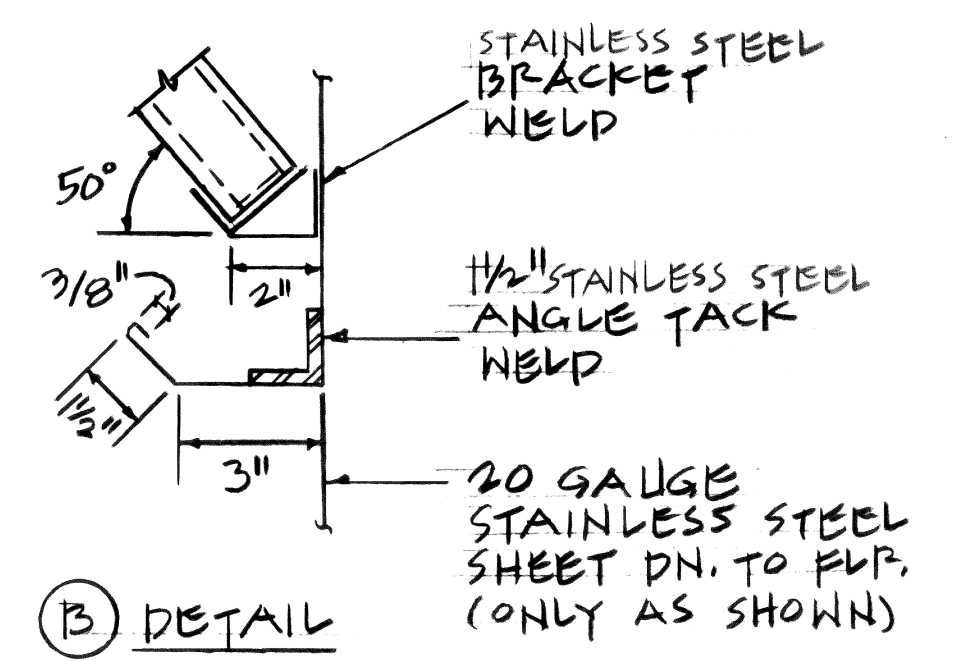
6 SECTION THRU HOOD  
SCALE: 1/2" = 1'-0"



A DETAIL

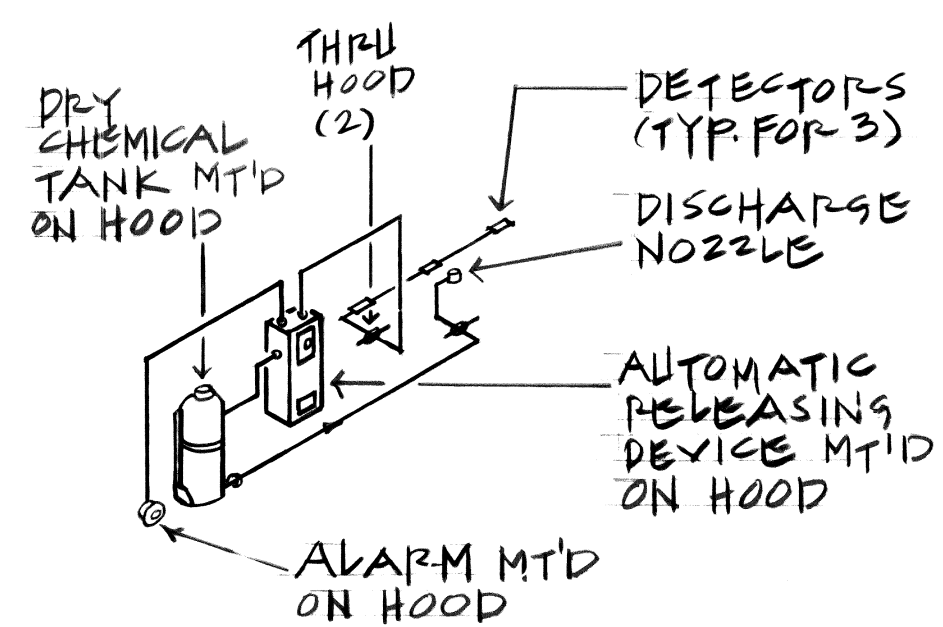


B DETAIL



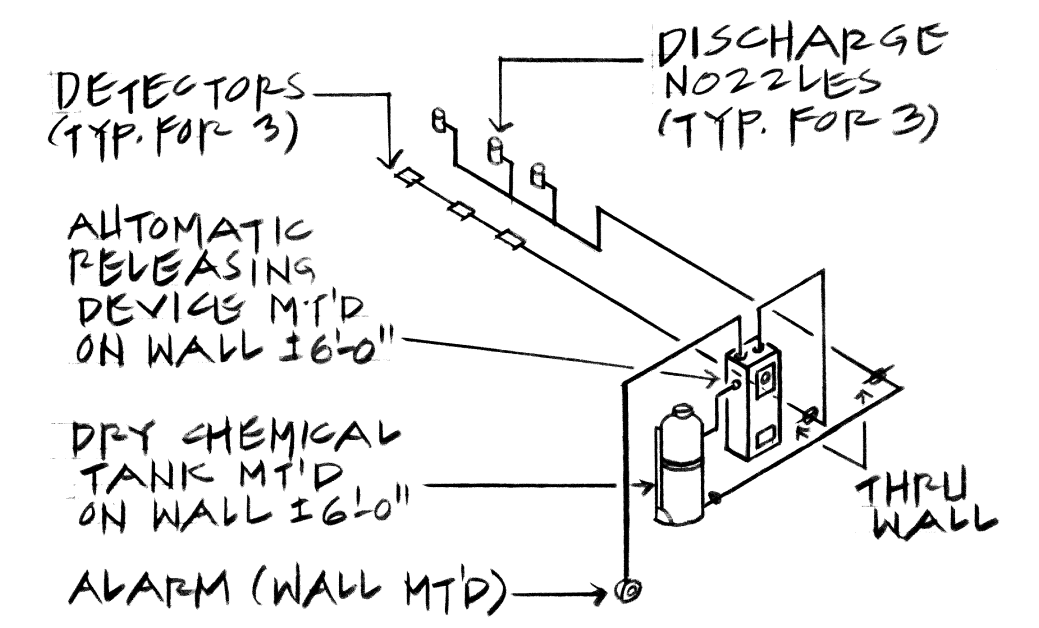
C DETAIL

7 KITCHEN HOOD DETAILS  
SCALE: 3" = 1'-0"



FIRE EXTINGUISHING SYSTEM AT HOOD (3'-6" X 2'-9") DIAGRAM  
SCALE: NONE

- NOTES: (KITCHEN HOODS)
1. PROVIDE STIFFENERS & SUPPORTS MEMBERS AS REQUIRED.
  2. PROVIDE SEPARATE FIRE EXTINGUISHING SYSTEM FOR EACH KITCHEN HOOD. (SEE SCHEDULE ON M2.3, FOR EQUIP. SPECS.)



FIRE EXTINGUISHING SYSTEM AT HOOD (6'-1" X 3'-4") DIAGRAM  
SCALE: NONE

AS-BUILT		1-6-84	M. J. Wilson	
REVISION NO.	SYM.	DESCRIPTION	DATE	APPROVED, STATE PUBLIC WORKS ENGINEER
DEPT. OF ACCOUNTING & GENERAL SERVICES DIVISION OF PUBLIC WORKS STATE OF HAWAII				
300-PERSON ARMORY WHEELER A.F.B.				
A.C. & VENT. DIAGRAMS, DETAILS, AND NOTES				
DESIGNED BY: B.T.		CHECKED BY: G.E.		DATE: 02-19-2609
DRAWN BY: B.T.		APPROVED BY:		SHEET: 11
SCALE:		DATE: 8-2-82		SHTS: OF 11

UNITARY AIR CONDITIONER SCHEDULE																														
NO	LOCATION	AREA SERVED	AIR SIDE										REFRIGERATION SIDE						UNIT TOT WT	MIN EER	REMARKS									
			S.A. CFM	ESP. (IN)	O.A. CFM	MIN HP	V	PH	CY	TYPE	ENTR. AIR @ DB	AIR-COIL @ WB	CONDENSER FAN	COMPRESSOR																
1	MECH. RM. BLDG. "A"	BLDG. "A" GRP. 2ND FLS.	1600	1/2"	495	1/2	460	3	60	DX	4	11	179.3	206.3	—	—	—	—	2	22	460	3	60	25.2 TOT. FRT	25 EA. 1306 MBH	100	2150	8.0		
2	ROOF BLDG. "B"	BLDG. "B" GRP. 1ST FLS.	1,640	1"	100	1	460	3	60	DX	3	13	29.4	35.6	1	3/4	460	3	60	1	22	460	3	60	6.2 FRT	12 EA. 50 MBH	44	400	8.0	

AIR COOLED CONDENSER FAN SCHEDULE																
NO	LOCATION	AREA SERVED	WHEEL DIAM.	TYPE	DRIVE	CFM	ESP. INCH	RPM	H.P.	V	PH	CY	HEIGHT	MAX. SONES OR T.S.	NOM. TONS COIL SIZE	REMARKS
3	ROOF OF BLDG. "A" (MECH. RM.)	A/C UNIT NO. 1	3 AT 30"	PROPELLER	DIRECT	25200	0"	1140	(3) 2	460	3	60	950	9,000	26.9 / 39 S.F.	

EXHAUST & SUPPLY FAN SCHEDULE														
NO	LOCATION	WHEEL DIAM.	AREA SERVED	TYPE & DRIVE	CFM	ESP. INCH	RPM	MOTOR			MAX. SONES OR T.S.	WEIGHT	REMARKS	
								H.P.	V	PH				CY
EF.1	ROOF BLDG. "A"	10"	29TH LOCKER	PRV & BELT	400	1/2"	1150	1/4	120	1	60	6	75	
EF.2		10"	S.A.C. LOCKER		640	1/2"	1210	1/4	120	1		7	75	
EF.3A		18"	KITCHEN HOOD		3,000	1/4"	1210	1/2	460	3		13.6	150	UP-BLAST PRV PRE-PACKAGED WITH SF-1
EF.3B		24"			5,000	1/4"	865	3				13.6	300	UP-BLAST PRV PRE-PACKAGED WITH SF-2
EF.4		48"	RIFLE RANGE		12,000	3/4"	360	3				14	600	
EF.5	ROOF BLDG. "B"	18"	1293RD LOCKER		1,720	1/2"	730	1/4	120	1		7	130	
EF.6		24"	TROOP "E" LOCKER		3,740	1/2"	600	3/4	460	3		9	220	
EF.7	CEILING ROOM 211	—	FEMALE LATRINE	CEILING FAN	100	1/4"	1550	1/50	120	1		3.5	—	
SF.1	ROOF BLDG. "A"	12"	KITCHEN HOOD	BELT	2,850	1/2"	995	1/2	460	3		—	1,030	IN-LINE FAN PRE-PACKAGED WITH EF-3A
SF.2		15"			4,750	1/4"	782	3				—	1,070	IN-LINE FAN PRE-PACKAGED WITH EF-3A
EF.8	ROOF BLDG. "B"	—	ROOM 314	PRV DIRECT	195	1/4"	1300	1/50	120	1	60	3.6	40	24 HRS. OPERATION FAN

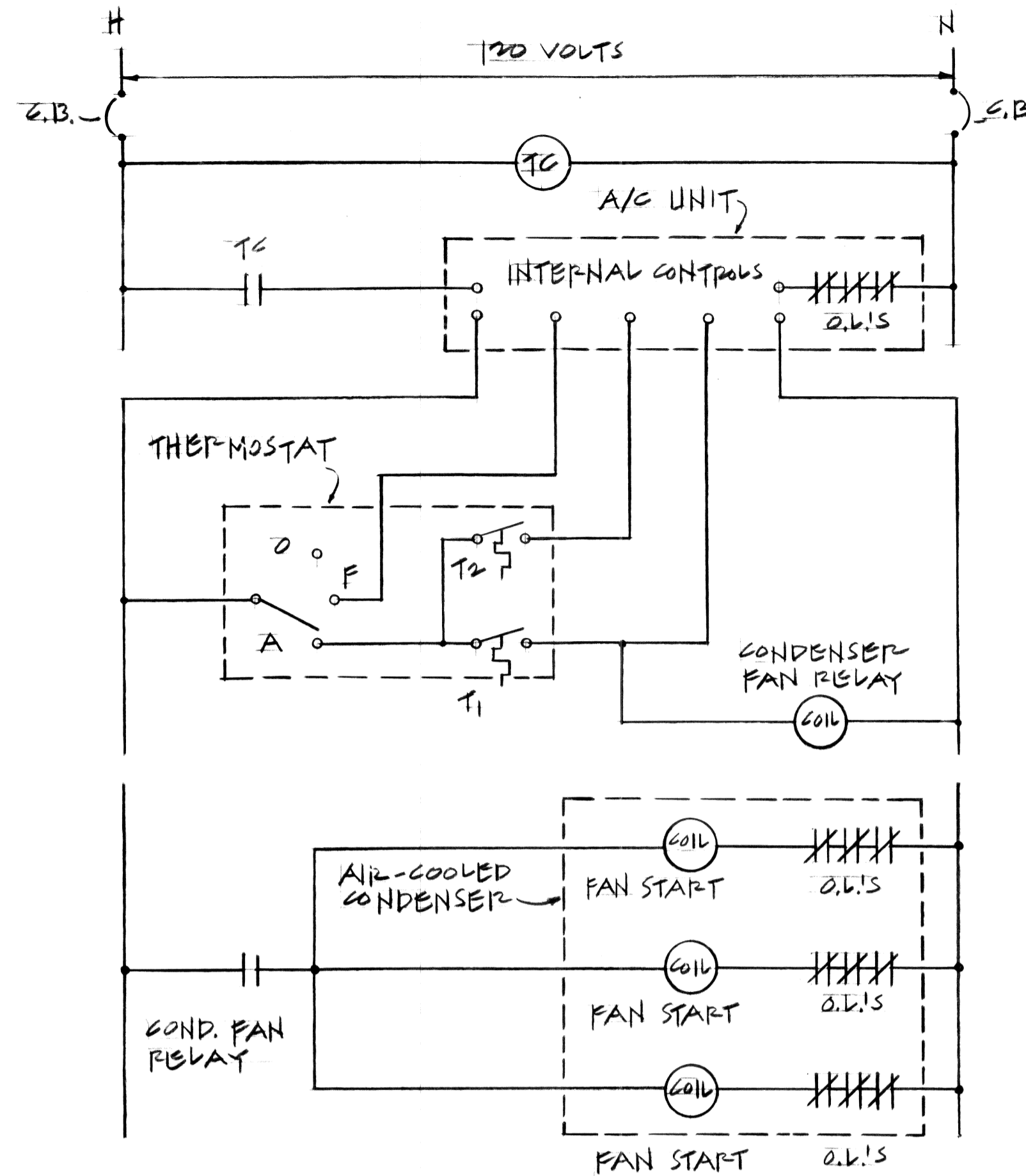
### DEHUMIDIFIER SCHEDULE:

#### DEHUMIDIFIER NO. 1:

(1293RD ARMS VAULT) 22 PINTS CAPACITY, ADJUSTABLE AUTOMATIC HUMIDISTAT, AUTOMATIC OVER-FLOW PROTECTION, AUTOMATIC SIGNAL LIGHT, THREADED HOSE CONNECTION, 10-QUART MOISTURE CONTAINER, WOODGRAIN VINYL/POLYSTYRENE CABINET; COMP: 1/5 H.P., 115/1160; 3.9 FLA, 360 WATTS, & 50 POUNDS-WEIGHT, OASIS OD-2200 OR APPROVED EQUAL.

#### DEHUMIDIFIER NO. 2:

(TROOP "E" VAULT) 21 PINTS CAPACITY, ADJUSTABLE AUTOMATIC HUMIDISTAT, AUTOMATIC OVER-FLOW PROTECTION, AUTOMATIC SIGNAL LIGHT, THREADED HOSE CONNECTION, 10-QUART MOISTURE CONTAINER, WOODGRAIN VINYL/POLYSTYRENE CABINET; COMP: 1/5 H.P., 115/1160; 4.7 FLA, 430 WATTS, & 52 POUNDS-WEIGHT, OASIS OD-2100 OR APPROVED EQUAL.



### CONTROLS LEGEND:

ABBREVIATION	DESCRIPTIONS
A/C	AIR CONDITIONING
A	AUTOMATIC
C.B.	CIRCUIT BREAKER
COND.	CONDENSER
F	FAN
H	HOT LINE
N	NEUTRAL LINE
O	OPEN
O.L.S.	OVERLOAD PROTECTIONS
T	THERMOSTAT
TC	TIME CLOCK (7-DAY)

### GENERAL NOTES:

- EXHAUST FANS TO BE INTERLOCKED WITH LIGHT SWITCHES EXCEPT EXHAUST FANS NO. 3A & 3B (KITCHEN HOOD), EXHAUST FAN NO. 3A & SUPPLY FAN NO. 1 AND EXHAUST FAN NO. 3B & SUPPLY FAN NO. 2 TO BE PROVIDED WITH REMOTE CONTROL PANELS NEXT TO KIT. HOODS.

### CONTROLS & INTERLOCKS

SCALE: NONE

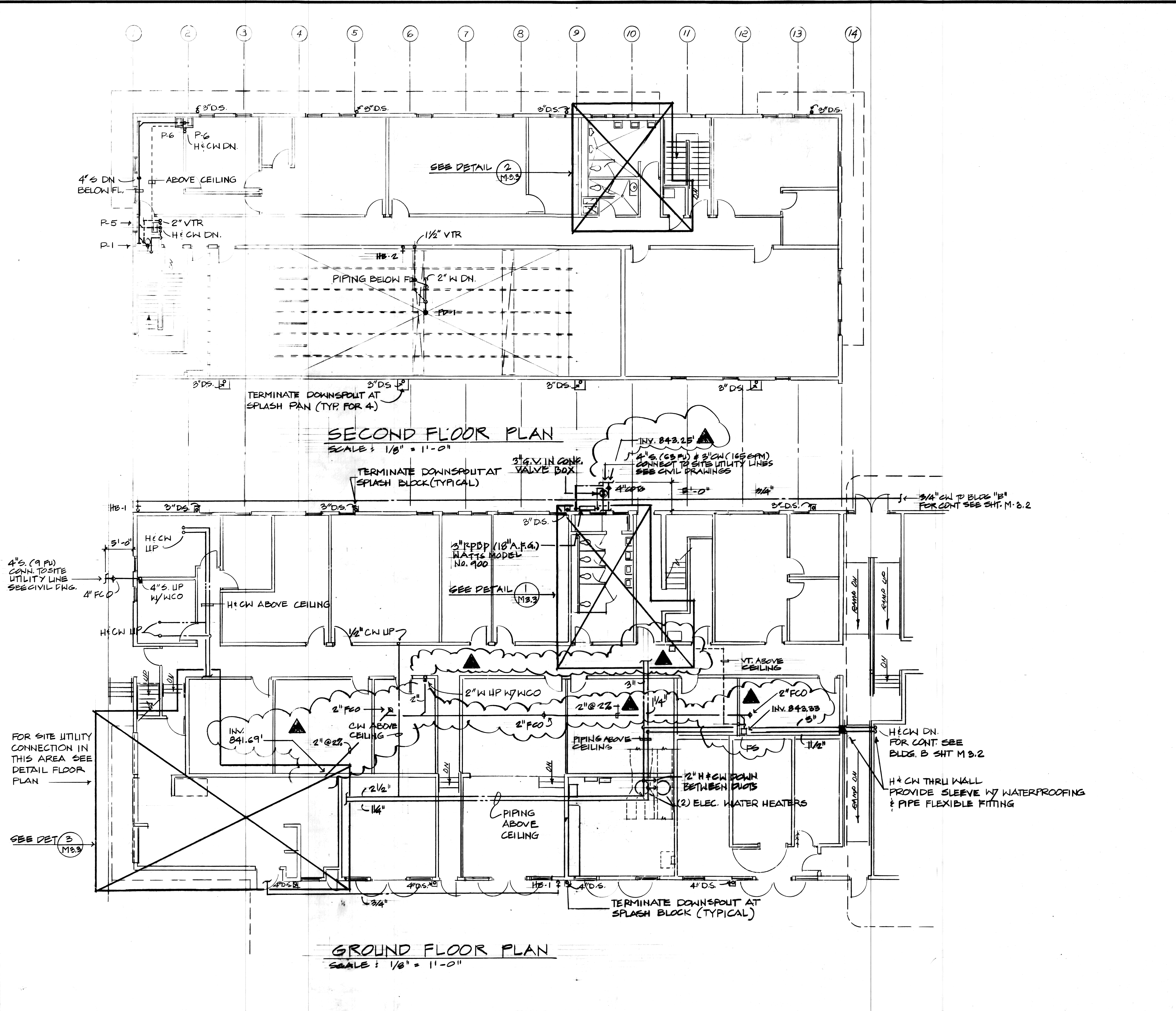
### DRY CHEMICAL FIRE EXTINGUISHING SYSTEM:

(ONE FOR EACH HOOD) ANSUL R-101 MODEL 20 OR APPROVED EQUAL. VERIFY CAPACITY BEFORE ORDERING. MANUAL RESET, NOZZLES (SEE DIAGRAMS), DETECTORS, AUTOMATIC RELEASING DEVICE, ALARM, DRY CHEMICAL TANK, & PIPING. DETECTOR CABLE TO BE IN CONDUIT. CONTRACTOR SHALL FURNISH CERTIFICATION OF INSTALLATION FROM MANUFACTURER'S QUALIFIED LOCAL REPRESENTATIVE. CONFORM TO NFPA-96.

AS-BUILT

1-6-84 *M. H. P.*

CLARIF. DWG. FOR ADD'L #2	REVISION NO.	SYMBOL	DESCRIPTION	SHT. OF	DATE	APPROVED: STATE PUBLIC WORKS ENGINEER
2						
REVISED CFM UNIT #1		19 OF 23	11-1-82			
DEPT. OF ACCOUNTING & GENERAL SERVICES DIVISION OF PUBLIC WORKS STATE OF HAWAII						
<b>300-PERSON ARMORY WHEELER A.F.B.</b>						
MECH. EQUIP. SCHEDULES, SCHEMATICS, DETAILS, AND NOTES.						
DESIGNED BY: WILSON OKAMOTO & ASSOC.		CHECKED BY: G.C.		DAGS JOB NO. 02-142609		DRAWING NO. M2-3
DRAWN BY: R.T.		APPROVED BY: R.T.		DATE: 2-1-82		SHEET 62 OF 70 SHTS
SCALE: AS NOTED						

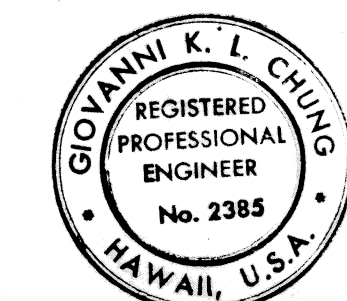


**SECOND FLOOR PLAN**  
SCALE: 1/8" = 1'-0"

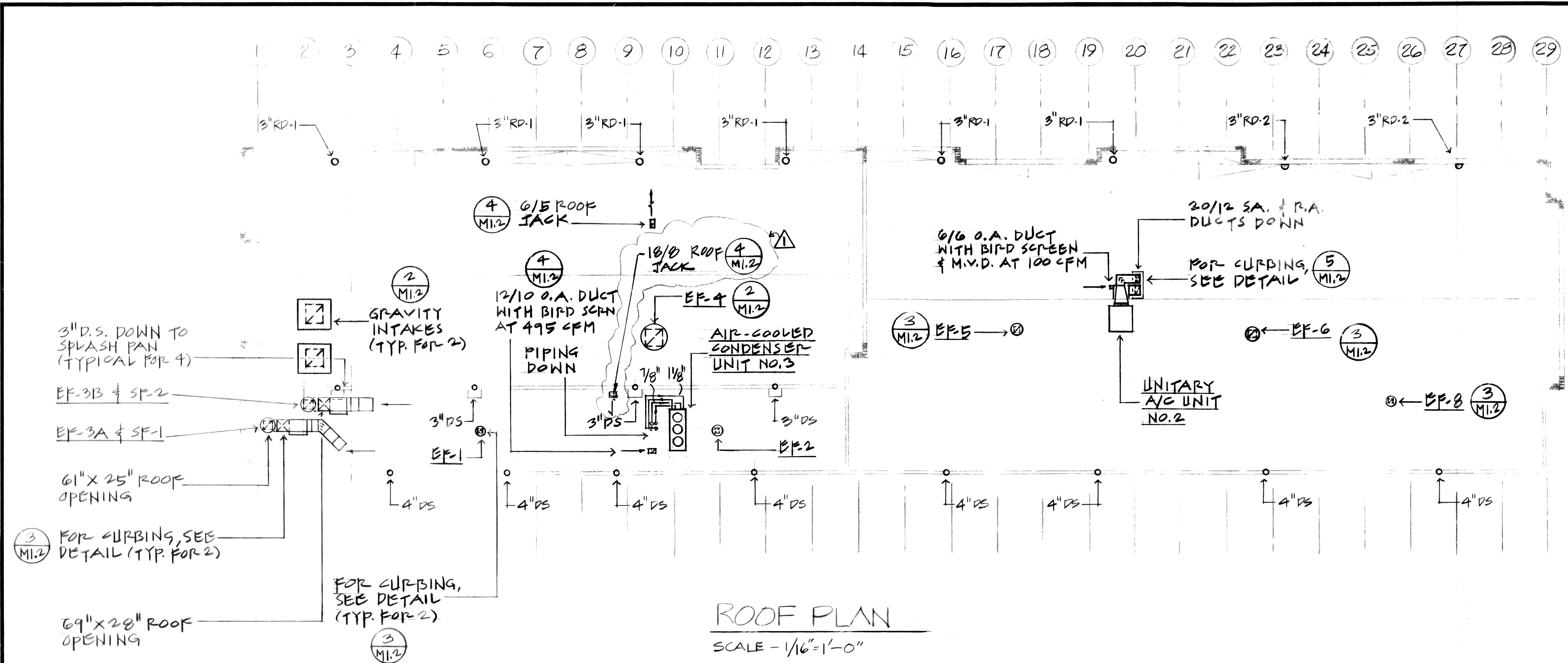
**GROUND FLOOR PLAN**  
SCALE: 1/8" = 1'-0"

AS BUILT 1-6-84 *[Signature]*

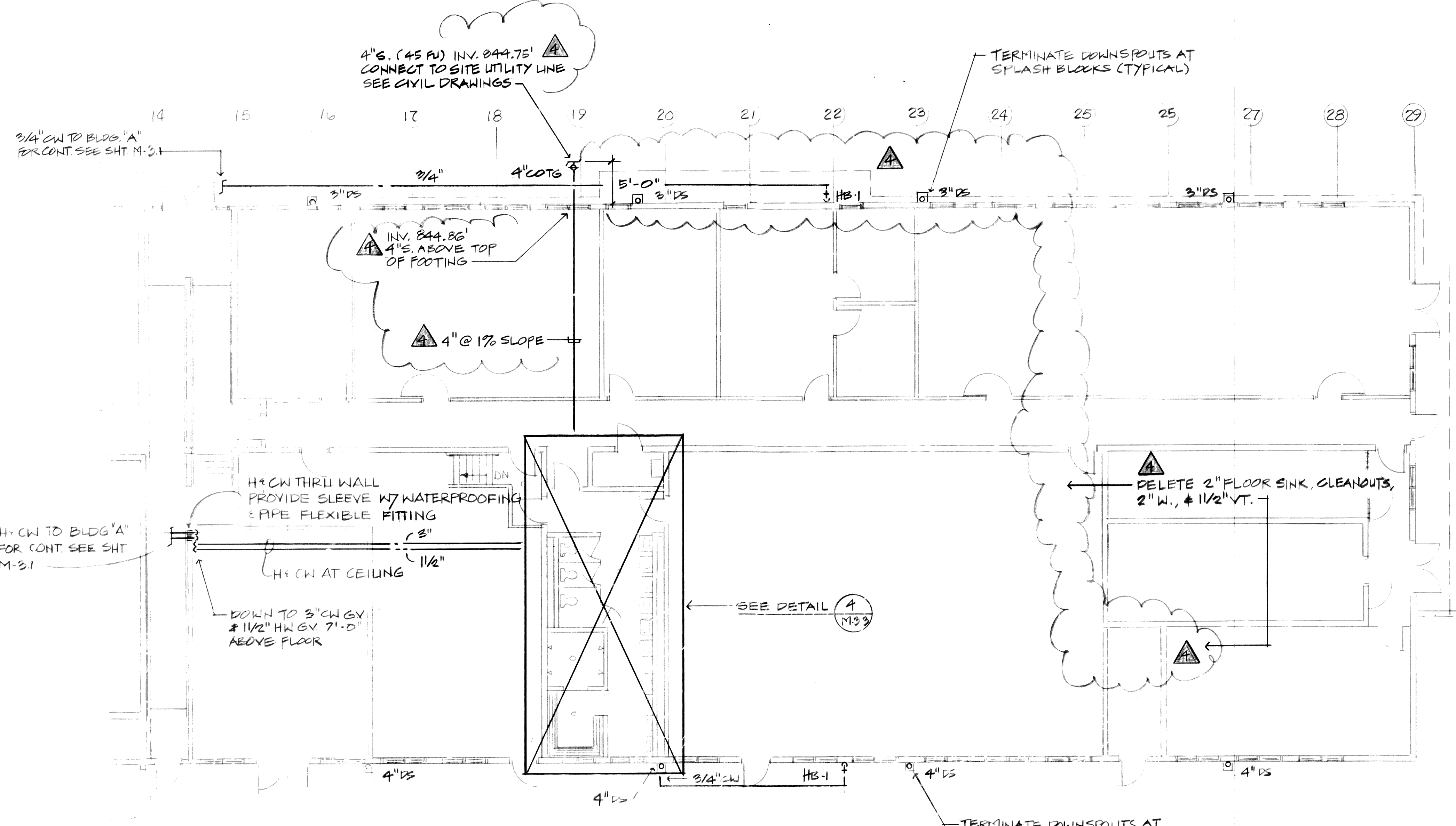
REV #2	▲	REROUTE WASTE LINE ADD INVERT ELEVATIONS	5 OF 8	1/22/83	APPROVED: STATE PUBLIC WORKS ENGINEER
REVISION NO.	SYMBOL	DESCRIPTION	SHEET OF	DATE	APPROVED: STATE PUBLIC WORKS ENGINEER
DEPT. OF ACCOUNTING & GENERAL SERVICES DIVISION OF PUBLIC WORKS STATE OF HAWAII					
<b>300 - PERSON ARMORY WHEELER A.F.B.</b>					
<b>BLDG. 'A' PLUMBING FLOOR PLAN</b>					
DESIGNED BY: <b>B.H.</b>		CHECKED BY: <b>G.C.</b>		DATE: 02-14-2609	DRAWING NO. <b>M3.1</b>
DRAWN BY: <b>B.H.</b>		APPROVED BY:		DATE: 8-2-82	SHEET 63
SCALE: AS SHOWN				DATE: 8-2-82	SHEET 75



THIS WORK WAS PREPARED BY ME OR UNDER MY SUPERVISION.  
*[Signature]*



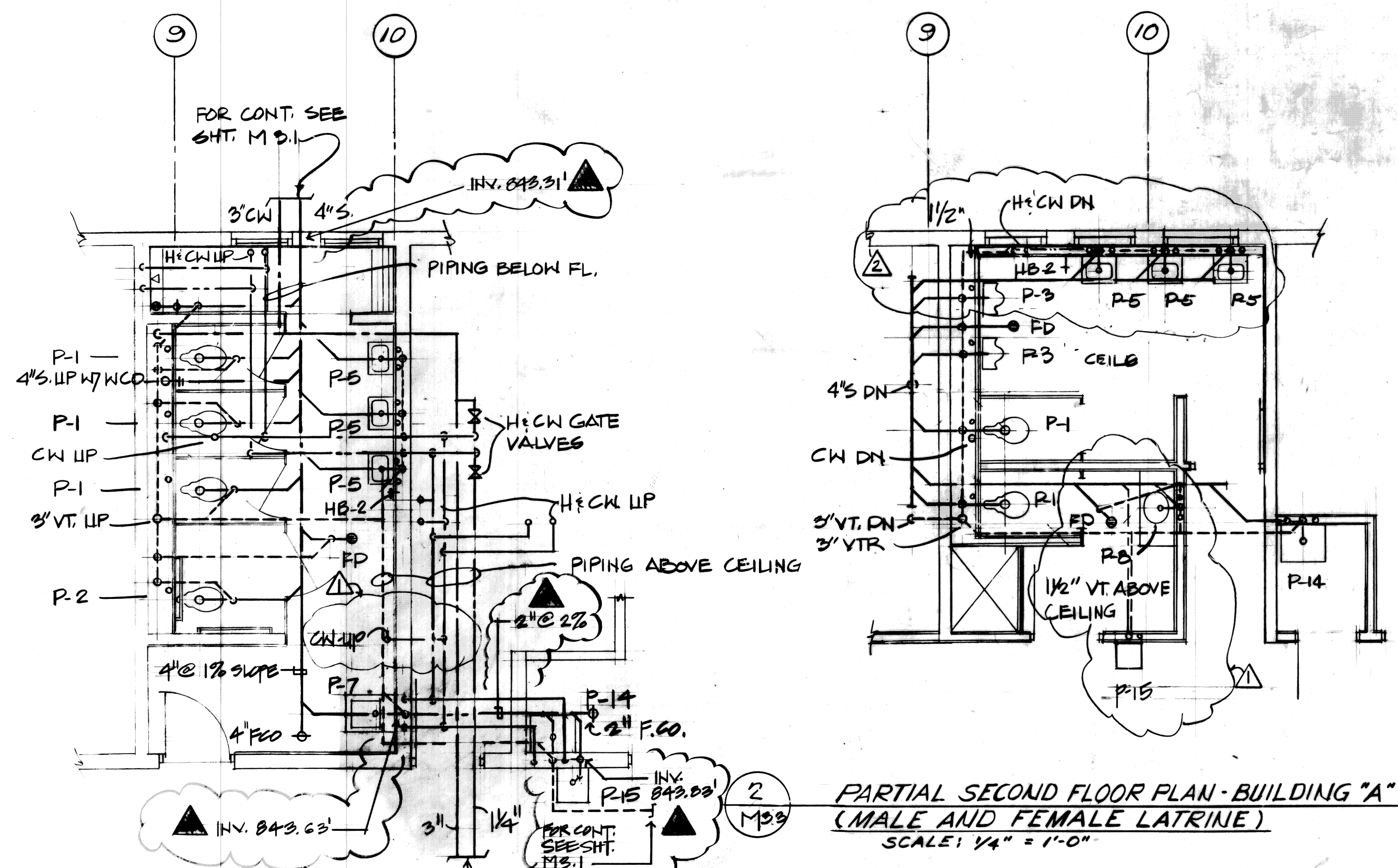
ROOF PLAN  
SCALE - 1/16" = 1'-0"



GROUND FLOOR PLAN  
SCALE - 1/8" = 1'-0"

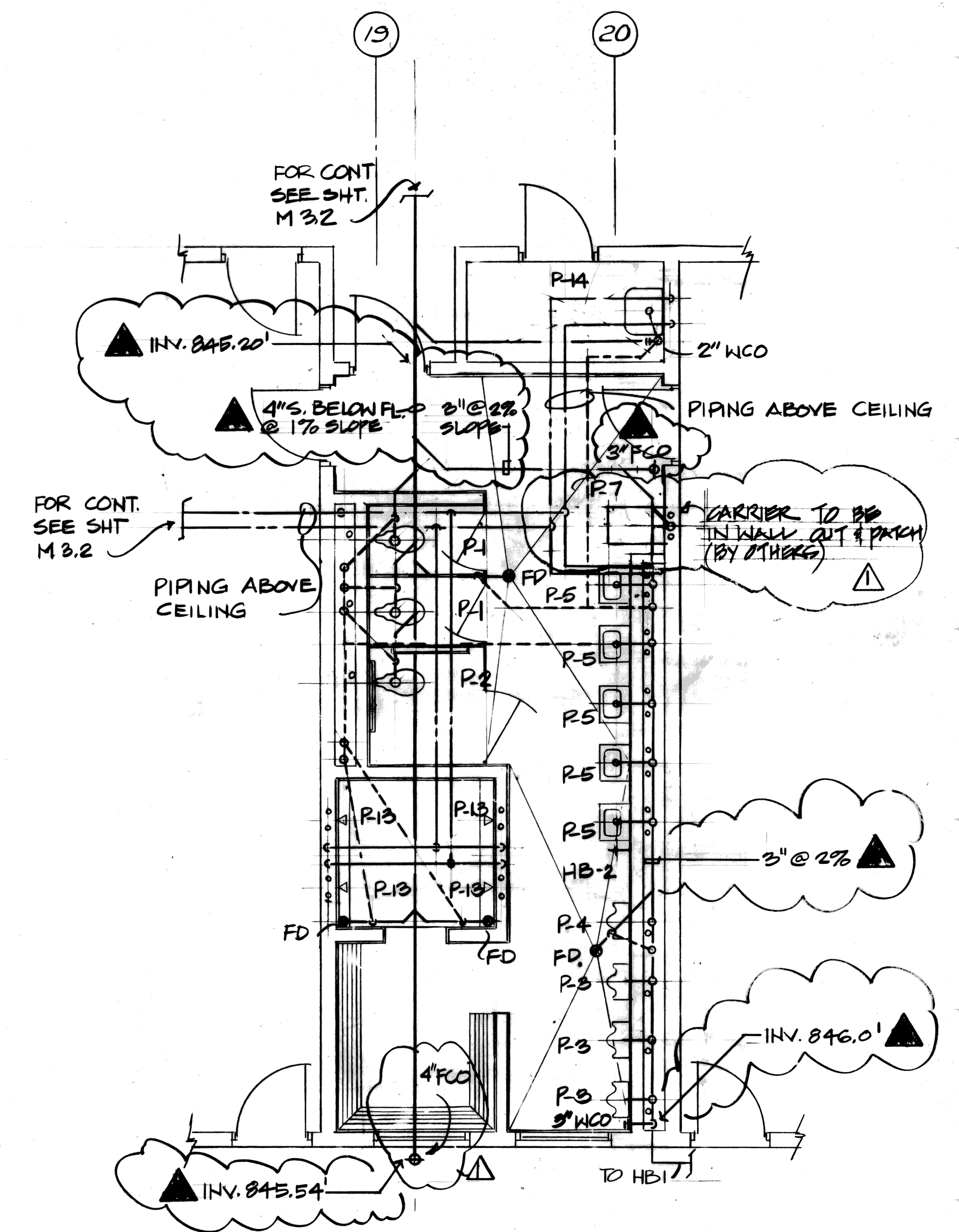
EXHAUST FAN EF-1  
940 CFM AT 1/4" S.P. 1/4HP 115/160 1120 RPM NOM  
CEILING MTD TYPE 61 LBS. WITH ON-OFF SWITCH

AS-BUILT		1-6-84		<i>McKeller</i>	
REV #2	DELETE FLOOR SINK & PIPING ADD INVERT ELEVATIONS	6 OF 13	1/20/83		
ADD #1	ADD EF-1 & GOOSE-NECK TO ROOF JACK	6 OF 13	8/17/82		
REVISION NO.	SYM.	DESCRIPTION	SHT. OF	DATE	APPROVED STATE PUBLIC WORKS ENGINEER
DEPT. OF ACCOUNTING & GENERAL SERVICES DIVISION OF PUBLIC WORKS STATE OF HAWAII <b>300-PERSON ARMORY          WHEELER A.F.B.</b> BLDG. "B" PLUMBING FLOOR PLAN & MECHANICAL ROOF PLAN WILSON OKAMOTO & ASSOC. DAOS JOB NO. 2219 DRAWING NO. <b>M3.2</b>					
DESIGNED BY: B.H.P.T.		CHECKED BY: G.C.		DATE: 02-14-2609	
DRAWN BY: B.H.P.T.		APPROVED BY:		DATE: 84	
SCALE AS SHOWN				SHEET 24 OF 25 SHTS	

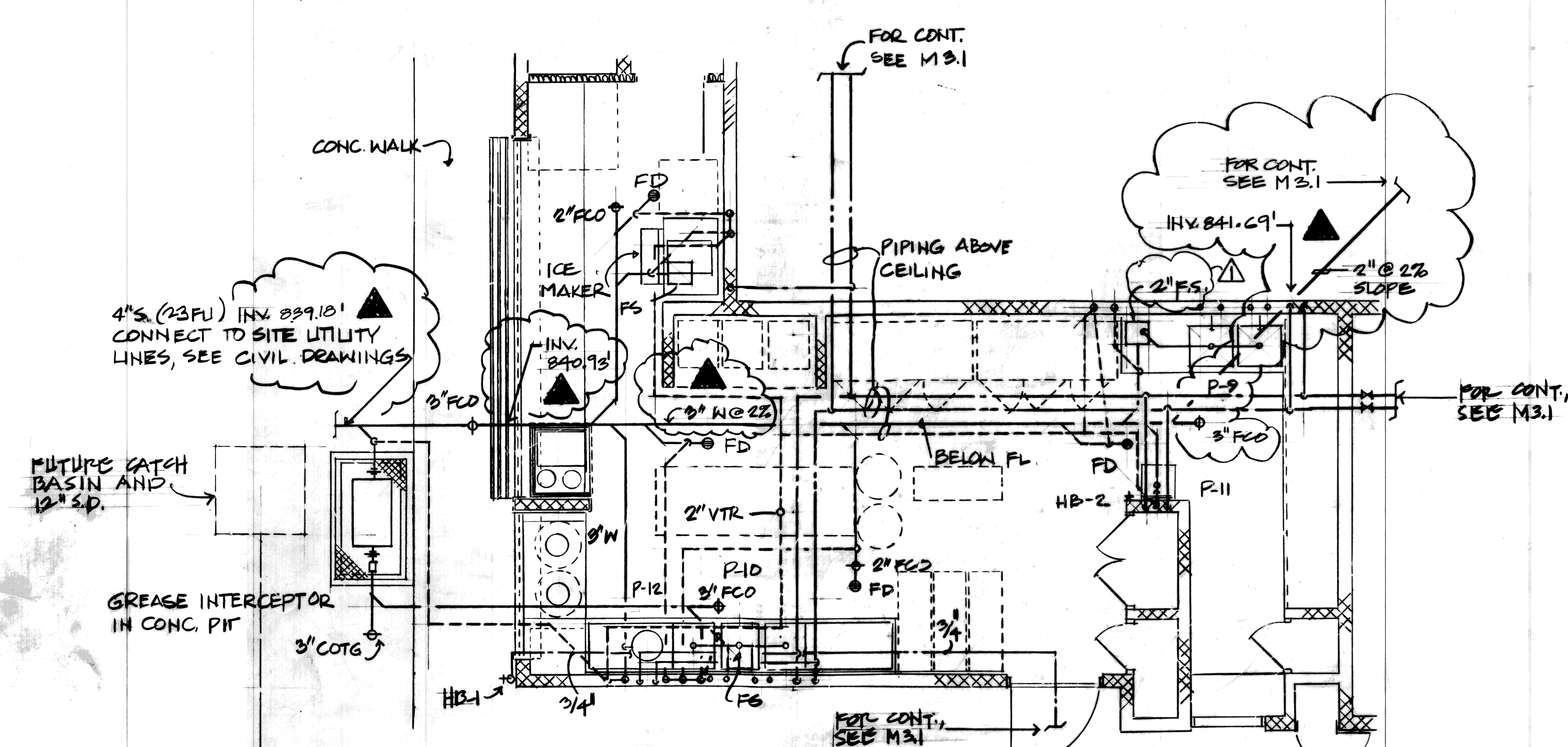


2 PARTIAL SECOND FLOOR PLAN - BUILDING "A"  
(MALE AND FEMALE LATRINE)  
SCALE: 1/4" = 1'-0"

1 PARTIAL GROUND FLOOR PLAN  
BUILDING "A" (FEMALE LATRINE)  
SCALE: 1/4" = 1'-0"



4 PARTIAL GROUND FLOOR PLAN - BUILDING "B"  
(MALE LATRINE)  
SCALE: 1/4" = 1'-0"



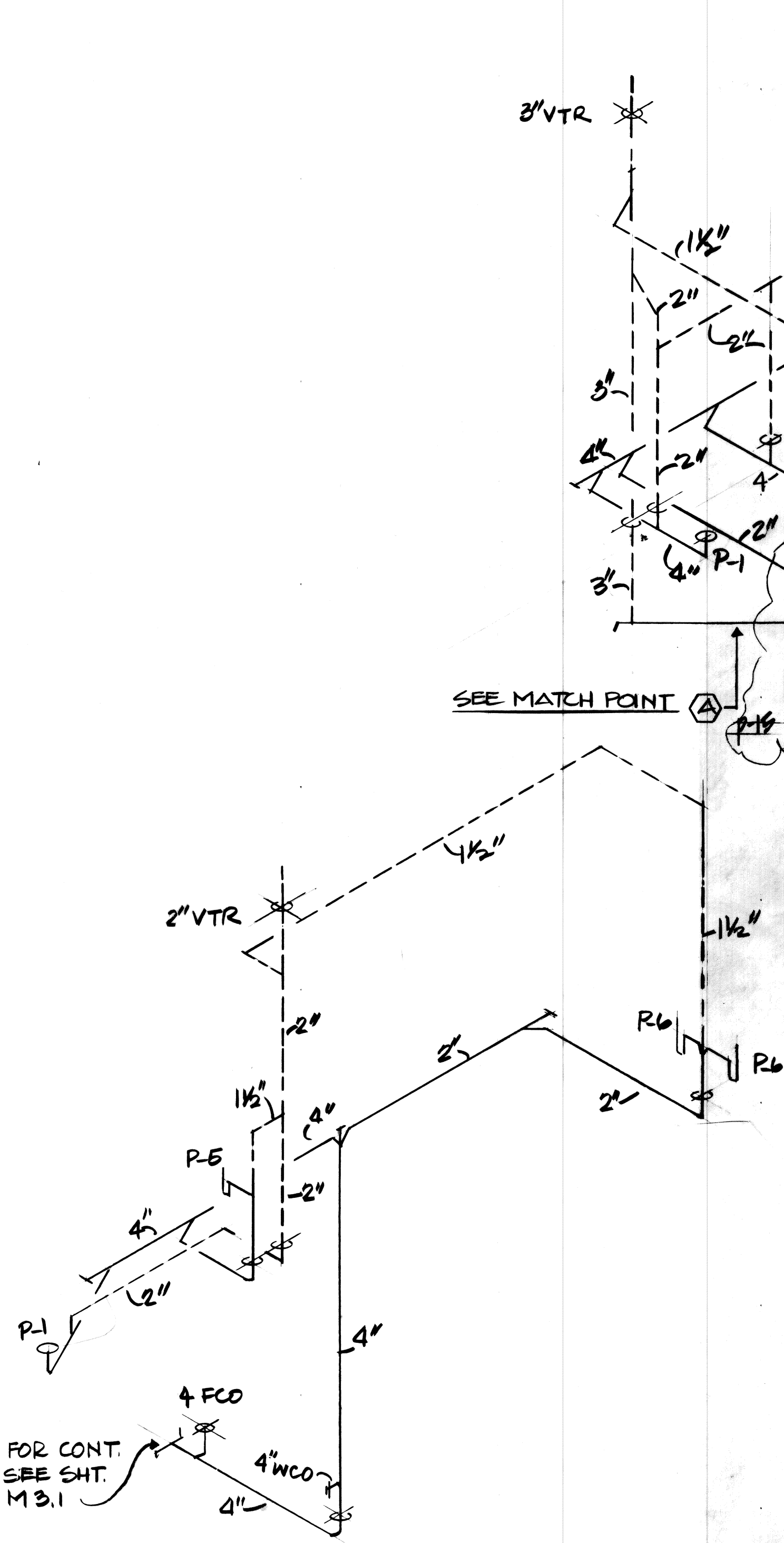
3 PARTIAL GROUND FLOOR PLAN  
BUILDING "A" (KITCHEN)  
SCALE: 1/4" = 1'-0"

REVISION		DESCRIPTION	DATE	APPROVED
PCD #2	▲	REVISE WASTE LINES ADD INVERT ELEVATIONS	7 OF 8 1/20/83	
CLARIF. DWG. FOR ADD. #142	▲	ROUTE 1 1/2" VENT LINE IN WALL & CAN. TO 2" VT.	20 OF 23 11-1-82	
ADD #1	▲	ADD DE. 2ND FLR. RELOCATE P-7.	7 OF 13 9/19/82	

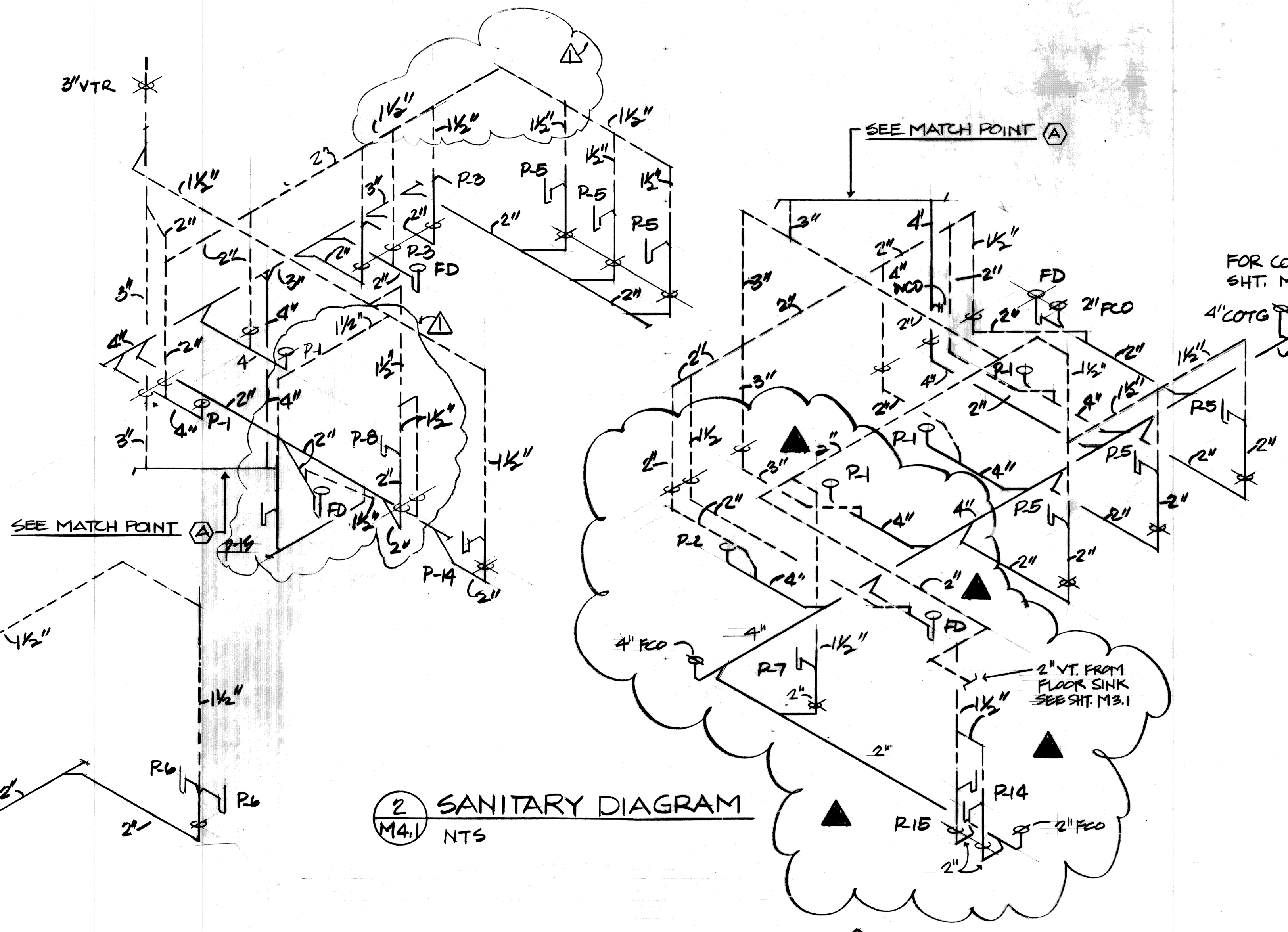
  

		DEPT. OF ACCOUNTING & GENERAL SERVICES DIVISION OF PUBLIC WORKS STATE OF HAWAII	
THIS WORK WAS PREPARED BY ME OR UNDER MY SUPERVISION.		300 - PERSON ARMORY WHEELER A.F.B.	
DESIGNED BY: B.H. CHECKED BY: G.C. DRAWN BY: B.H. SCALE: AS SHOWN		DATE: 02-14-2009 DATE: 8-2-82 DRAWING NO.: M3.3 SHEET: 65 OF 75	

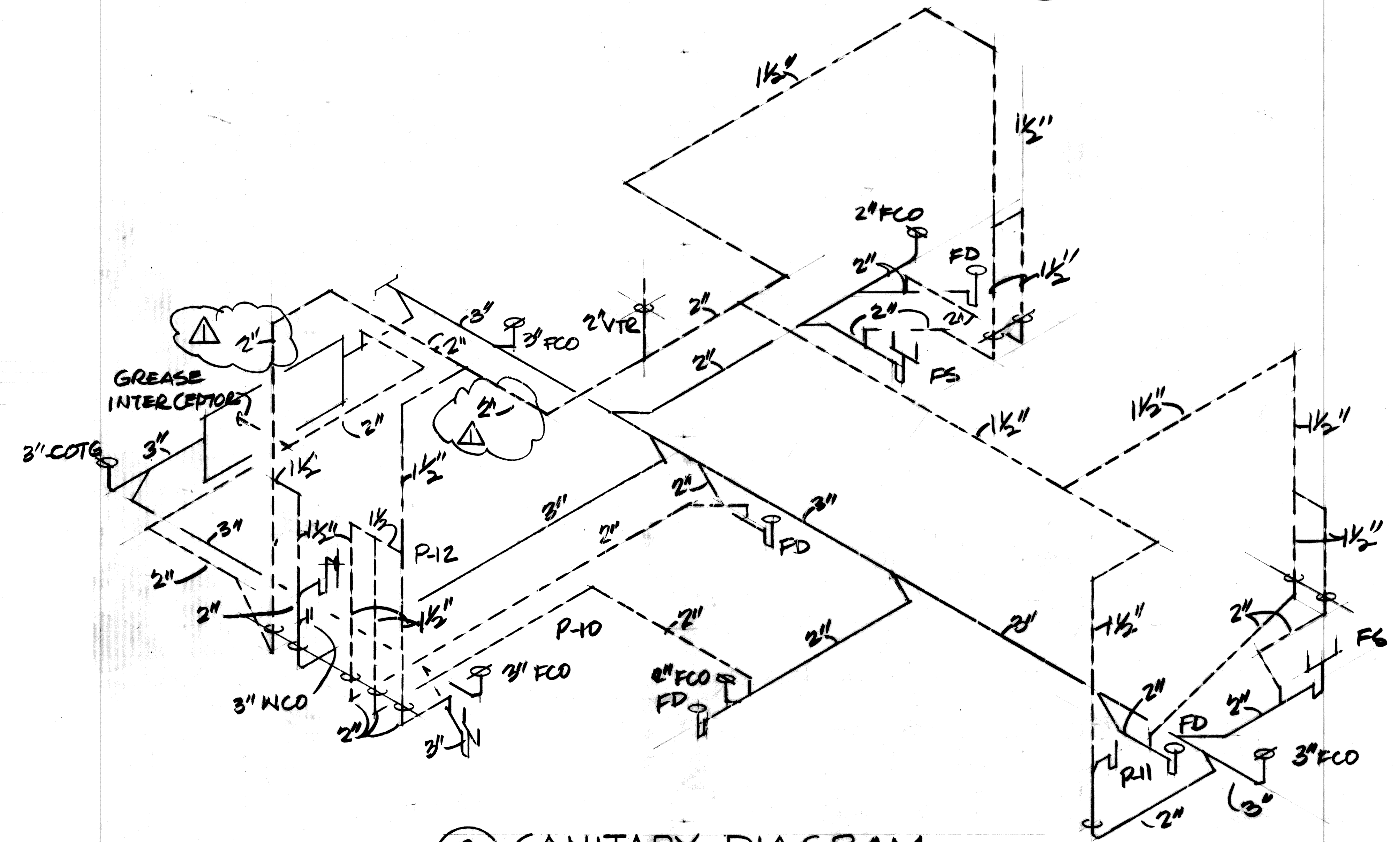




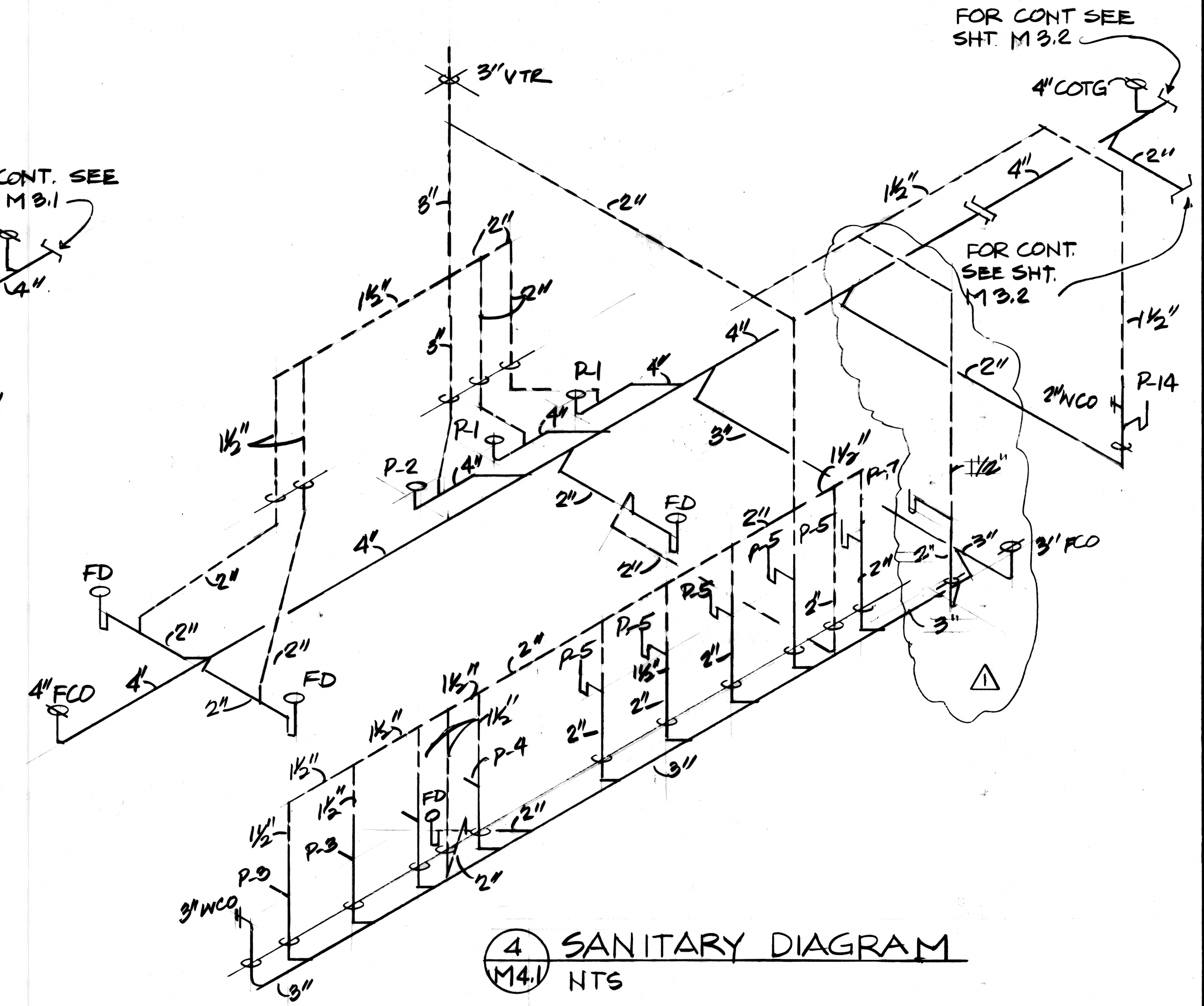
1 SANITARY DIAGRAM  
M4.1 NTS



2 SANITARY DIAGRAM  
M4.1 NTS



3 SANITARY DIAGRAM  
M4.1 NTS



4 SANITARY DIAGRAM  
M4.1 NTS

AS-BUILT 1-6-82

POD #2	REVISION SYMBOL	REVISION DESCRIPTION	BY	DATE
ADD #1	REVISION SYMBOL	RELOCATE P-7 ADD P-15	GC	8/17/82
REVISION NO.	SYMBOL	DESCRIPTION	BY	DATE

APPROVED: STATE PUBLIC WORKS ENGINEER

DEPT. OF ACCOUNTING & GENERAL SERVICES  
DIVISION OF PUBLIC WORKS  
STATE OF HAWAII

300 - PERSON ARMORY  
WHEELER A.F.B.

PLUMBING SANITARY DIAGRAM

DESIGNED BY: BH  
DRAWN BY: BH  
SCALE: AS SHOWN

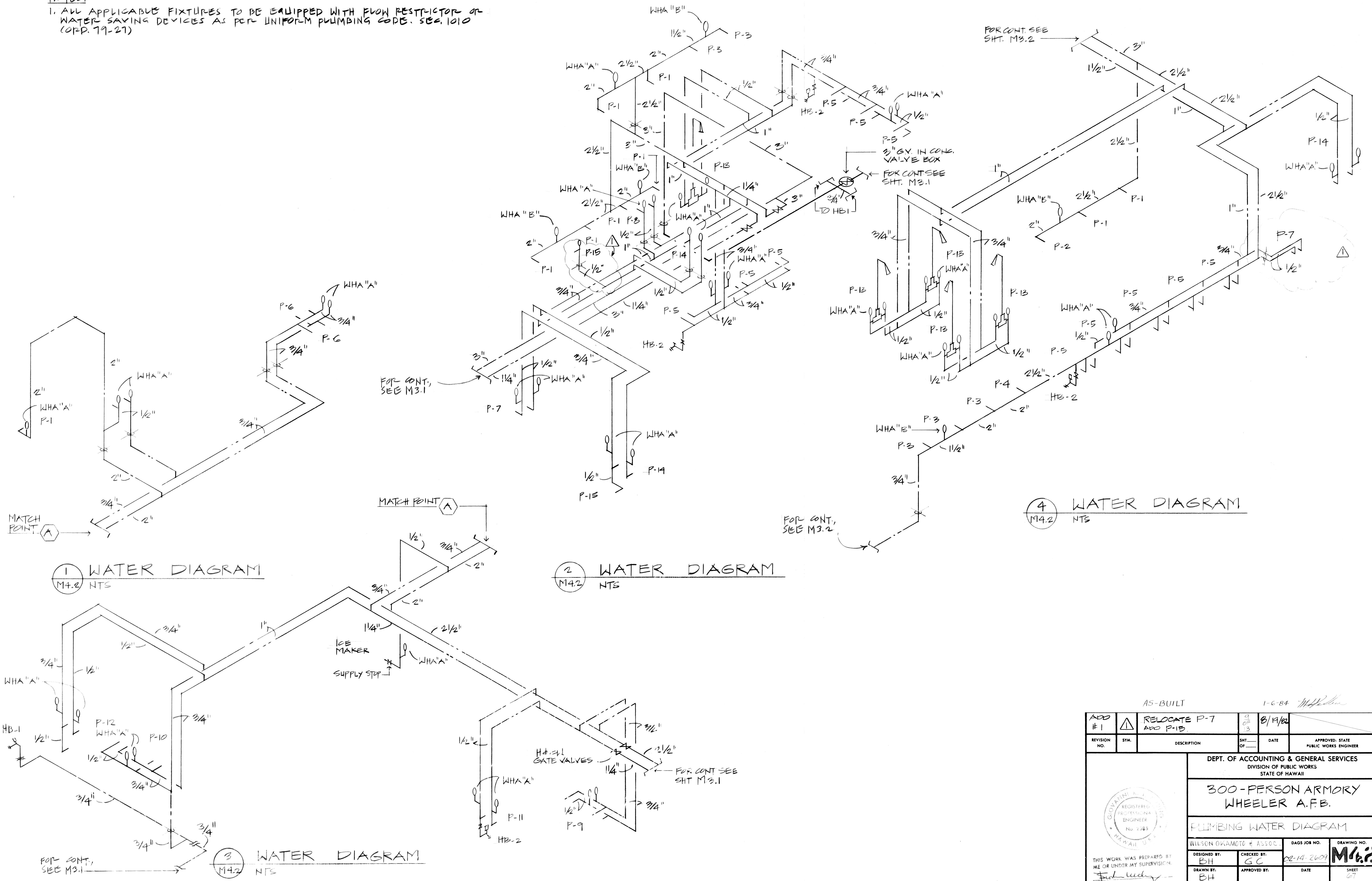
CHECKED BY: GC  
APPROVED BY: [Signature]  
DATE: 02-14-2009

DAGS JOB NO. 02-14-2009  
SHEET 66 OF 75 SHEETS

FILE: E DRAWER: 1 FOLDER: 5

**NOTES:**

1. ALL APPLICABLE FIXTURES TO BE EQUIPPED WITH FLOW RESTRICTOR OR WATER SAVING DEVICES AS PER UNIFORM PLUMBING CODE, SEC. 1010 (ORD. 79-27)



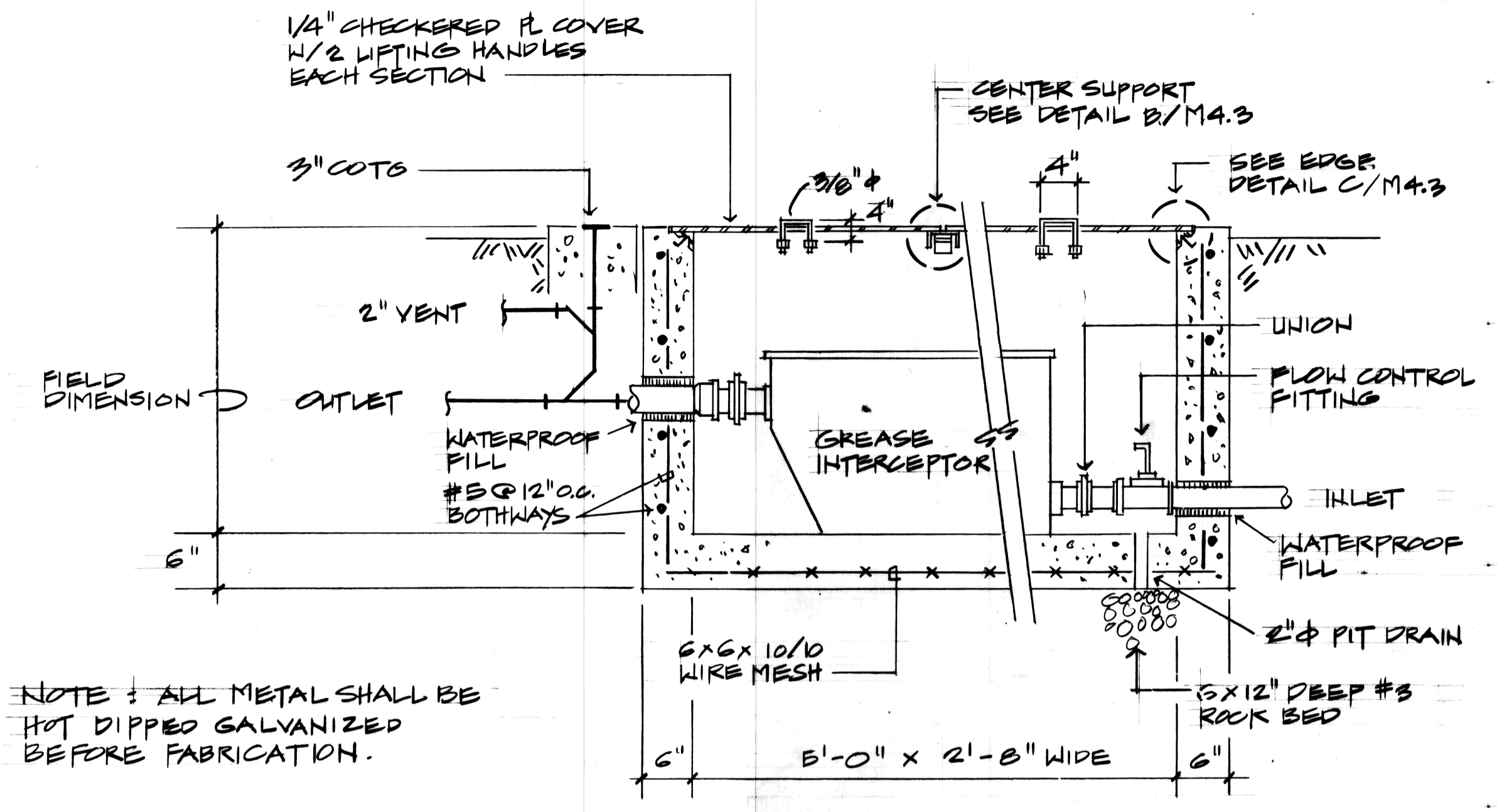
1 WATER DIAGRAM  
M4.2 NTS

2 WATER DIAGRAM  
M4.2 NTS

3 WATER DIAGRAM  
M4.2 NTS

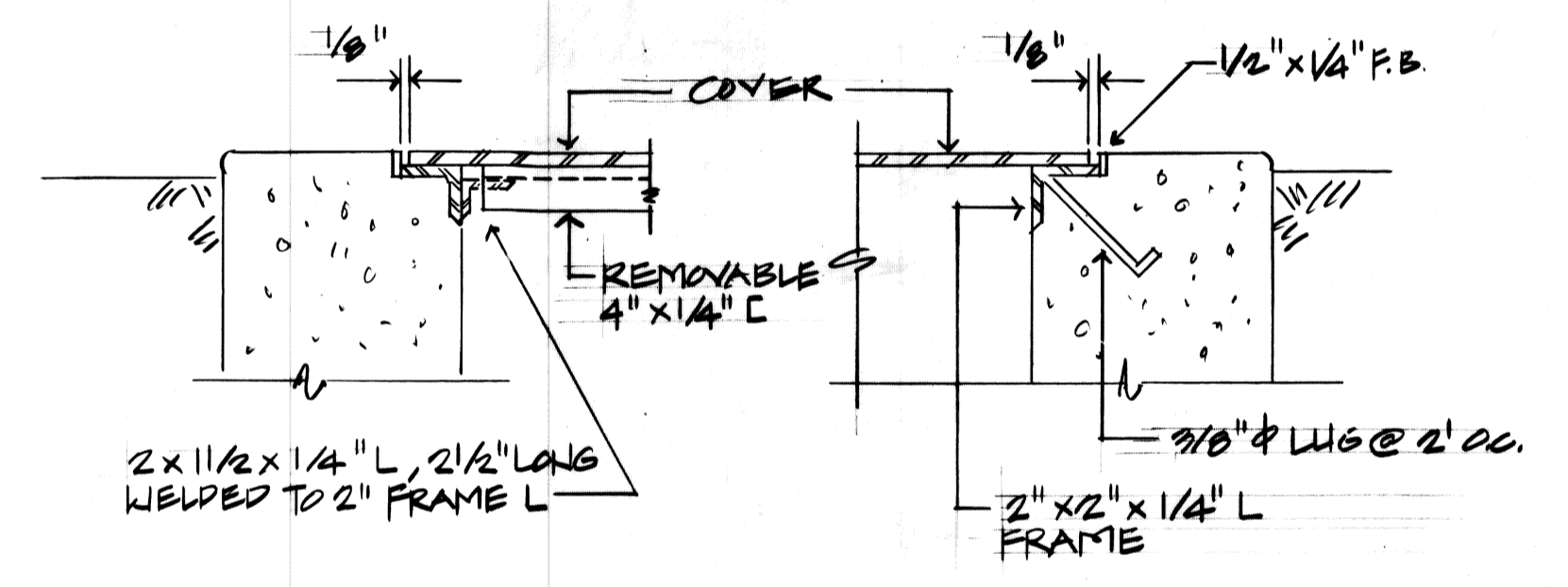
4 WATER DIAGRAM  
M4.2 NTS

AS-BUILT		1-6-84	
ADD #1	RELOCATE P-7 ADD P-13	3 OF 3	8/19/82
REVISION NO.	DESCRIPTION	SHT. OF	DATE
			APPROVED: STATE PUBLIC WORKS ENGINEER
DEPT. OF ACCOUNTING & GENERAL SERVICES DIVISION OF PUBLIC WORKS STATE OF HAWAII			
300-PERSON ARMORY WHEELER A.F.B.			
PLUMBING WATER DIAGRAM			
WILSON OKAMOTO & ASSOC.		DAGS JOB NO.	DRAWING NO.
DESIGNED BY: BH	CHECKED BY: GC	02-14-2601	M4.2
DRAWN BY: BH	APPROVED BY:	DATE	SHEET
SCALE: AS SHOWN			27
			OF 7 SHTS



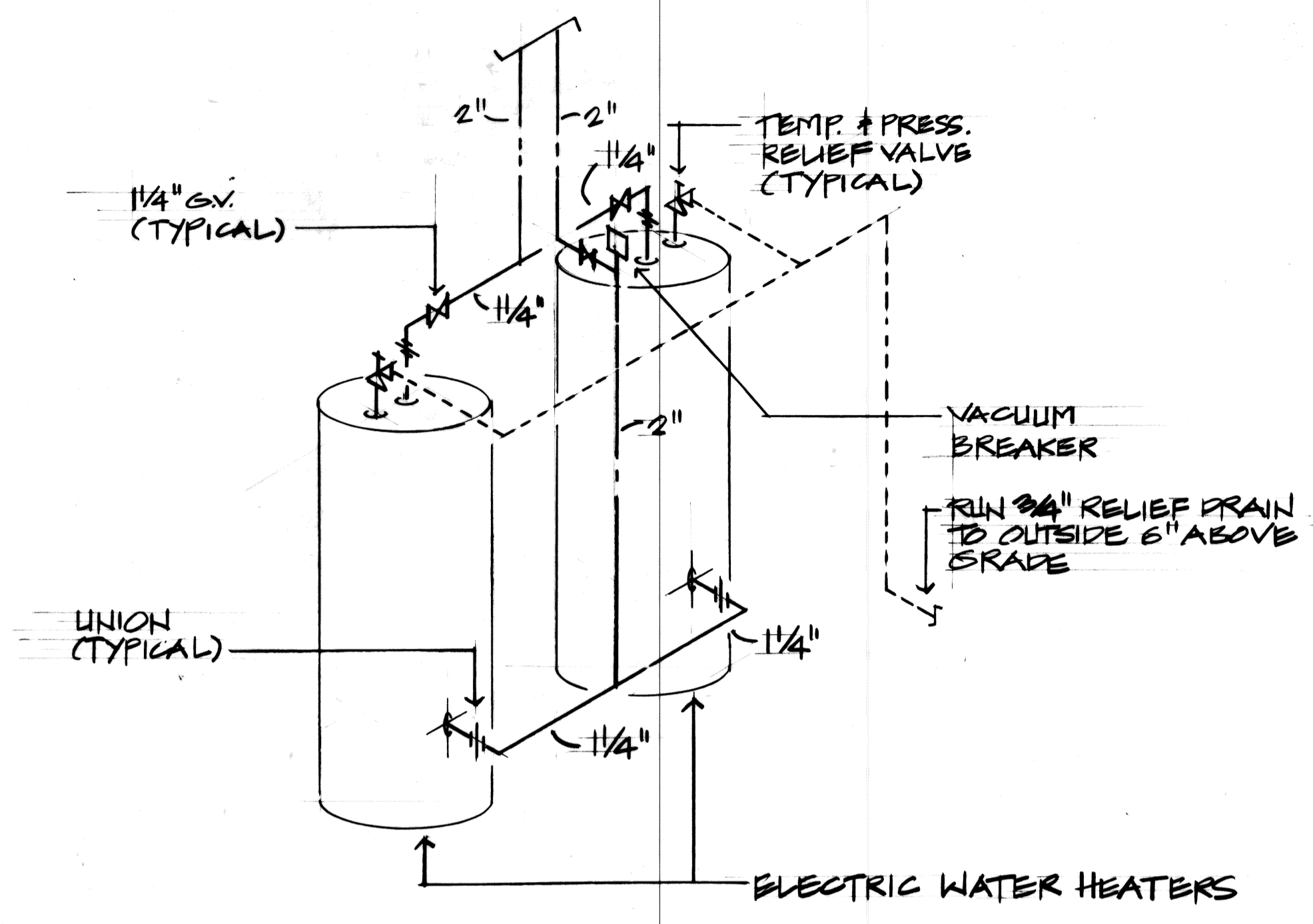
NOTE: ALL METAL SHALL BE HOT DIPPED GALVANIZED BEFORE FABRICATION.

**A SECTION**  
M4.3 SCALE: 3/4" = 1'-0"



**B CENTER DET.** M4.3 HTS  
**C EDGE DET.** M4.3 HTS

**1 GREASE INTERCEPTOR DETAILS**  
M4.3 SCALE AS SHOWN



**2 HEATER PIPING DIAGRAM**  
M4.3 HTS

**WATER HEATER SCHEDULE:**  
NATIONAL NOS-120, STATE SBE-120-151FE, OR APPROVED EQUAL, ELECTRIC TYPE HEATER, 119 GALS. CAPACITY, CONFORMING TO ASHRAE 90-75, 15 KW ELEMENTS, 480 VOLT, 60 HERTZ, THREE PHASE A.G. WITH 5 YEARS WRITTEN WARRANTY. WATTS NO. 1XL 3/4 INCH FOLGH BRONZE TEMPERATURE AND PRESSURE RELIEF VALVE AND NO. 38A 3/4 INCH ROUGH BRONZE VACUUM RELIEF VALVE WATTS NO. N-170 WATER TEMPERING VALVE.

AS-BUILT 1-6-84

REVISION NO.	DATE	DESCRIPTION	BY	DATE	APPROVED: STATE PUBLIC WORKS ENGINEER

DEPT. OF ACCOUNTING & GENERAL SERVICES  
DIVISION OF PUBLIC WORKS  
STATE OF HAWAII

**300 - PERSON ARMORY  
WHEELER A.F.B.**

PLUMBING DETAILS & DIAGRAMS

DESIGNED BY: WILSON OKAMOTO & ASSOC. D.A.G.S. JOB NO. DRAWING NO. M4.3  
 CHECKED BY: G.C. 02-14-2609  
 DESIGNED BY: BH  
 DRAWN BY: BH  
 APPROVED BY: DATE  
 SCALE: AS SHOWN 8-2-82 SHEET 68 OF 75 SHTS

THE WORK WAS PREPARED BY ME OR UNDER MY SUPERVISION.  
Giovanni K. L. Chung  
REGISTERED PROFESSIONAL ENGINEER No. 2385 HAWAII, U.S.A.

FILE E DRAWER 1 FOLDER 5