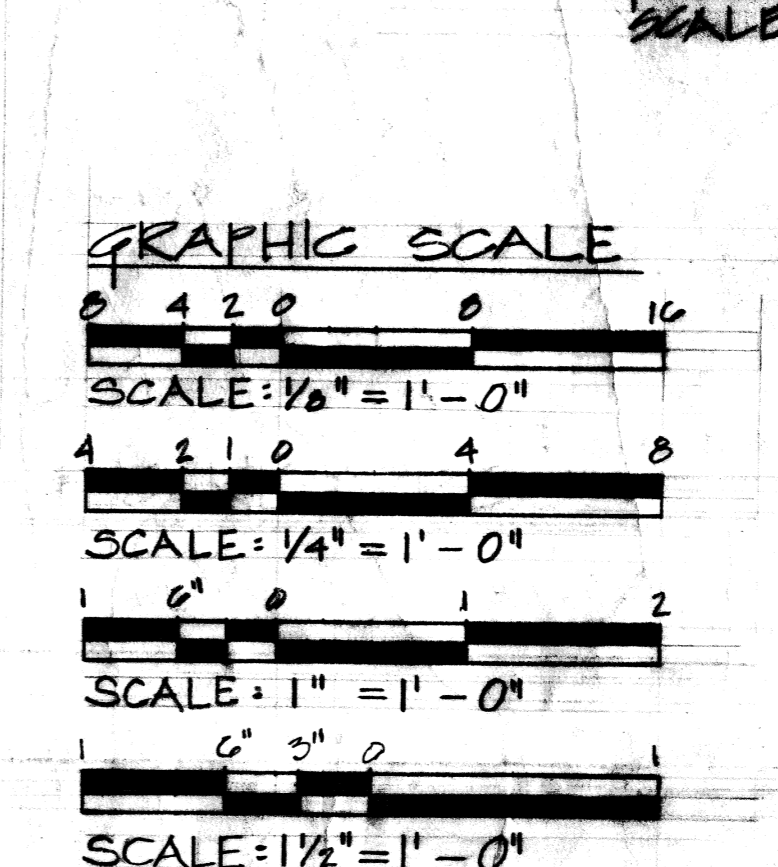


FLOOR PLAN - OPERATION BLDG.
SCALE: 1/4" = 1'-0"

NOTE:
ALL ROOMS SHALL HAVE VINYL COMPOSITION FLOOR COVER. SEE SPECS.

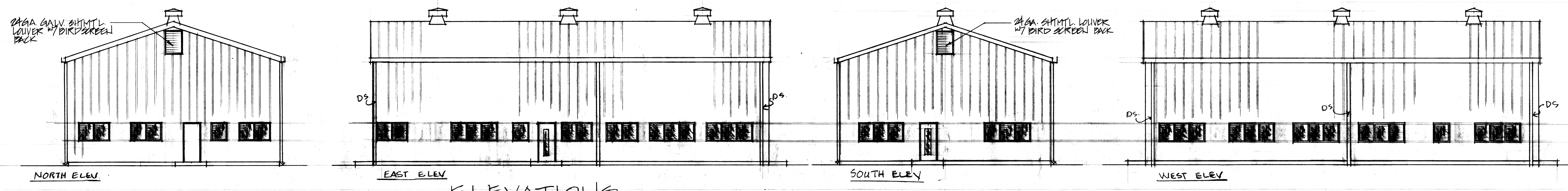


RECORD DRAWING
DATE: 1 OCT 85

AS BUILT CONDITION SHOW

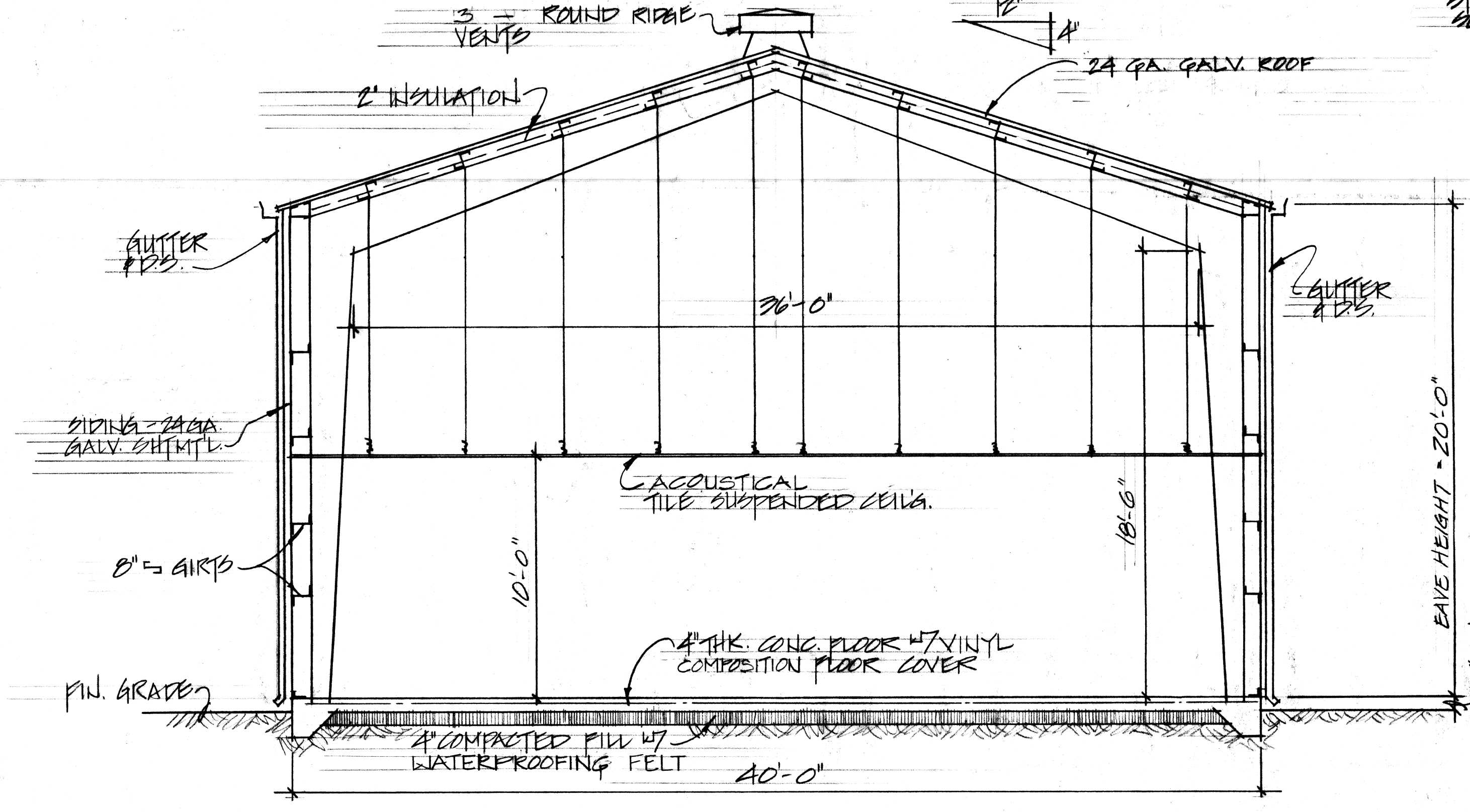
The Contractor will be responsible for coordinating the work among the various trades as necessary to avoid conflicts and to insure the installation of all work within the available space.

ARCH SHT OF	DEPARTMENT OF THE NAVY NAVAL FACILITIES ENGINEERING COMMAND
DES: B.D. G. LOO	PACIFIC DIVISION
DR: R. SEGAWA	BARBERS POINT NAVAL AIR STATION, HAWAII
CHK: J.P.	CONSTRUCT OPERATIONS
DATE: 5/20/85	BUILD 6 - 147th AVIATION CO.
DR: M.R.	23rd INFANTRY DIVISION
APPROVED: [Signature]	LOCATION, FLOOR AND FOUNDATION PLANS, WINDOW AND DOOR SCHEDULES AND DETAILS, AND FINISH DETAILS
DIRECTOR: J.M.	DATE: 10/1/85
SCALE: AS NOTED	NAVAC DRAWING NO. 80091
	7058019
	CONSTR. CONTR. NO. N6241-84-C-1488
	SPEC. 14-84-1488 SHEET 4 OF 7

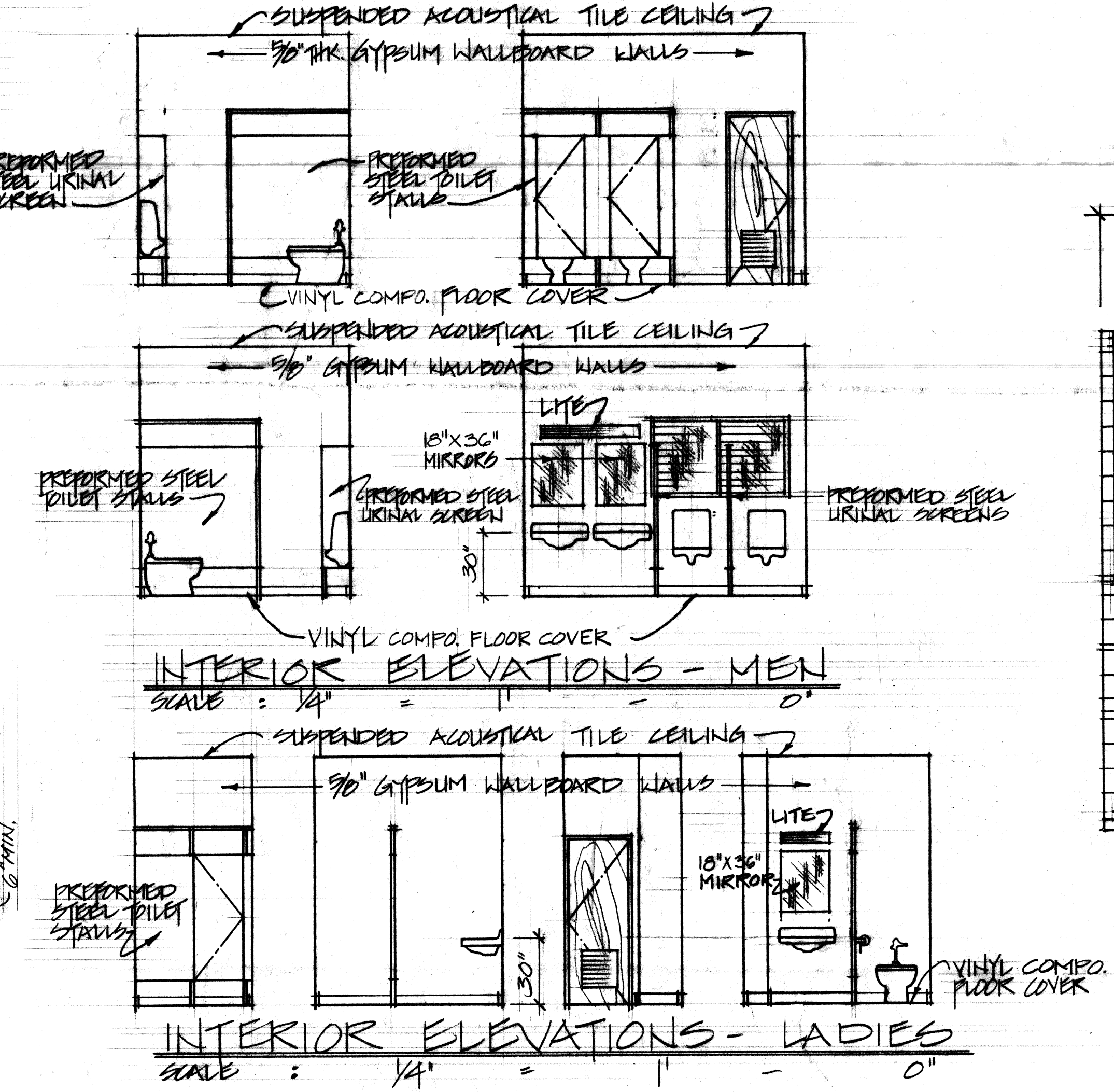


ELEVATIONS
SCALE: 1/8" = 1' - 0"

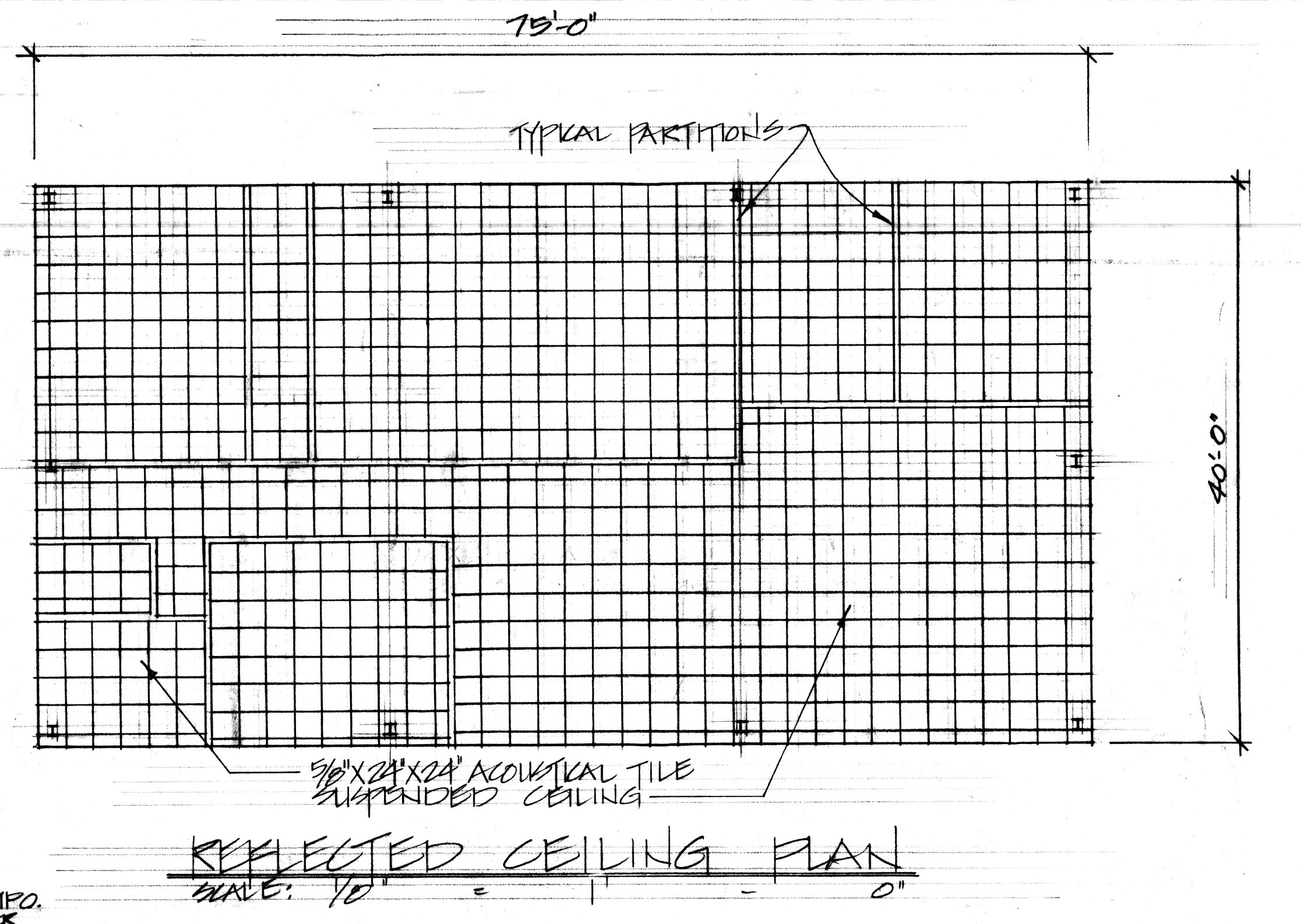
GENERAL STRUCTURAL NOTES
 1. CONTRACTOR SHALL SUBMIT FOR APPROVAL ENGINEERING DESIGN CALCULATION ON PREFAB BUILDING BASED ON THE FOLLOWING LOADS: ROOF LIVE LOAD = 20 PSF
 WIND VELOCITY = 50 MPH
 SEISMIC = ZONE II
 2. SUBMITTAL SHALL BE SIGNED AND STAMPED BY LICENCED STRUCTURAL ENGINEER.
 3. FOUNDATION IS DESIGNED BASED ON ASSUMED BEARING PRESSURE OF 2000 PSF.



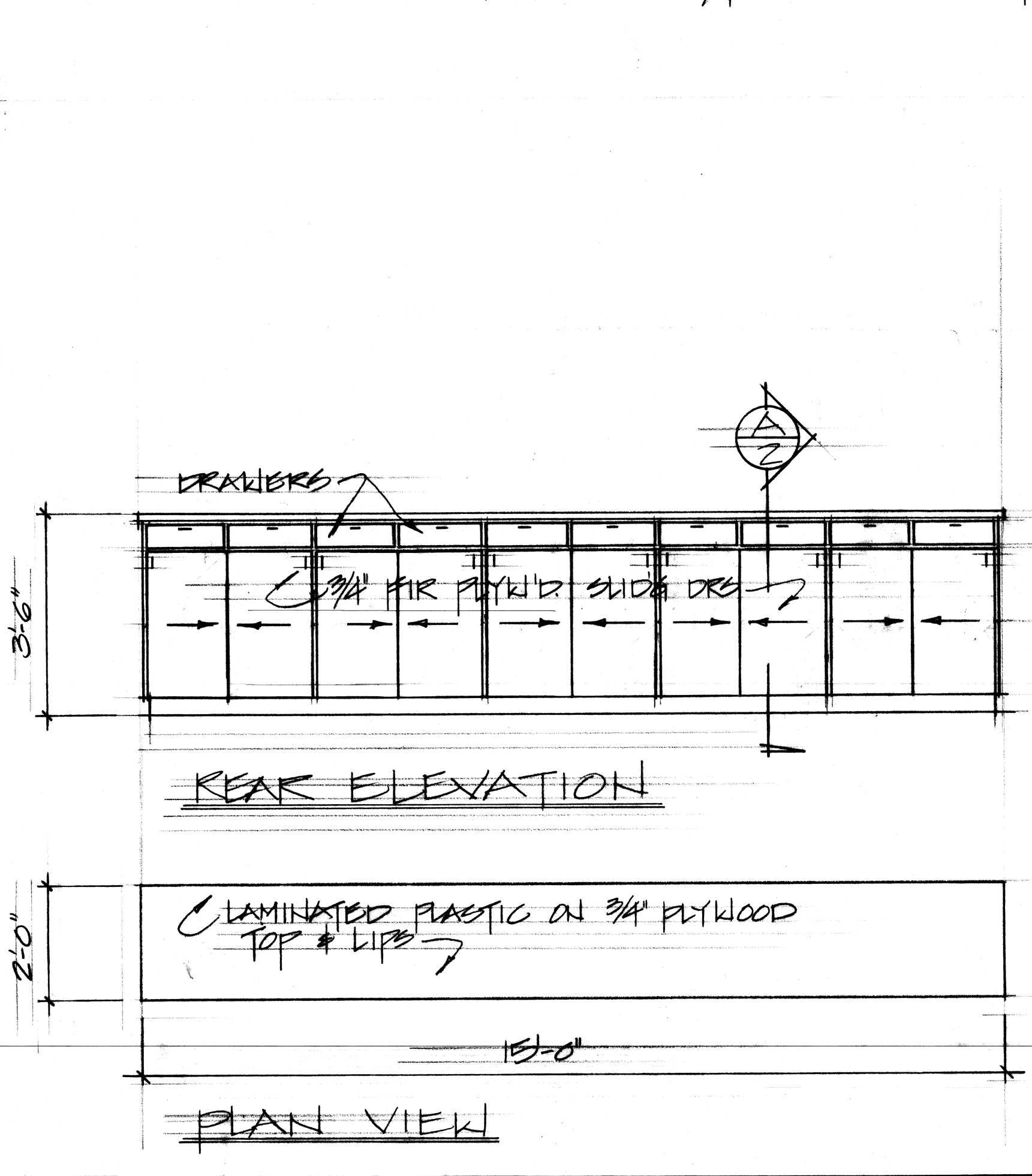
TYPICAL CROSS SECTION
SCALE: 1/4" = 1' - 0"



INTERIOR ELEVATIONS - LADIES
SCALE: 1/4" = 1' - 0"

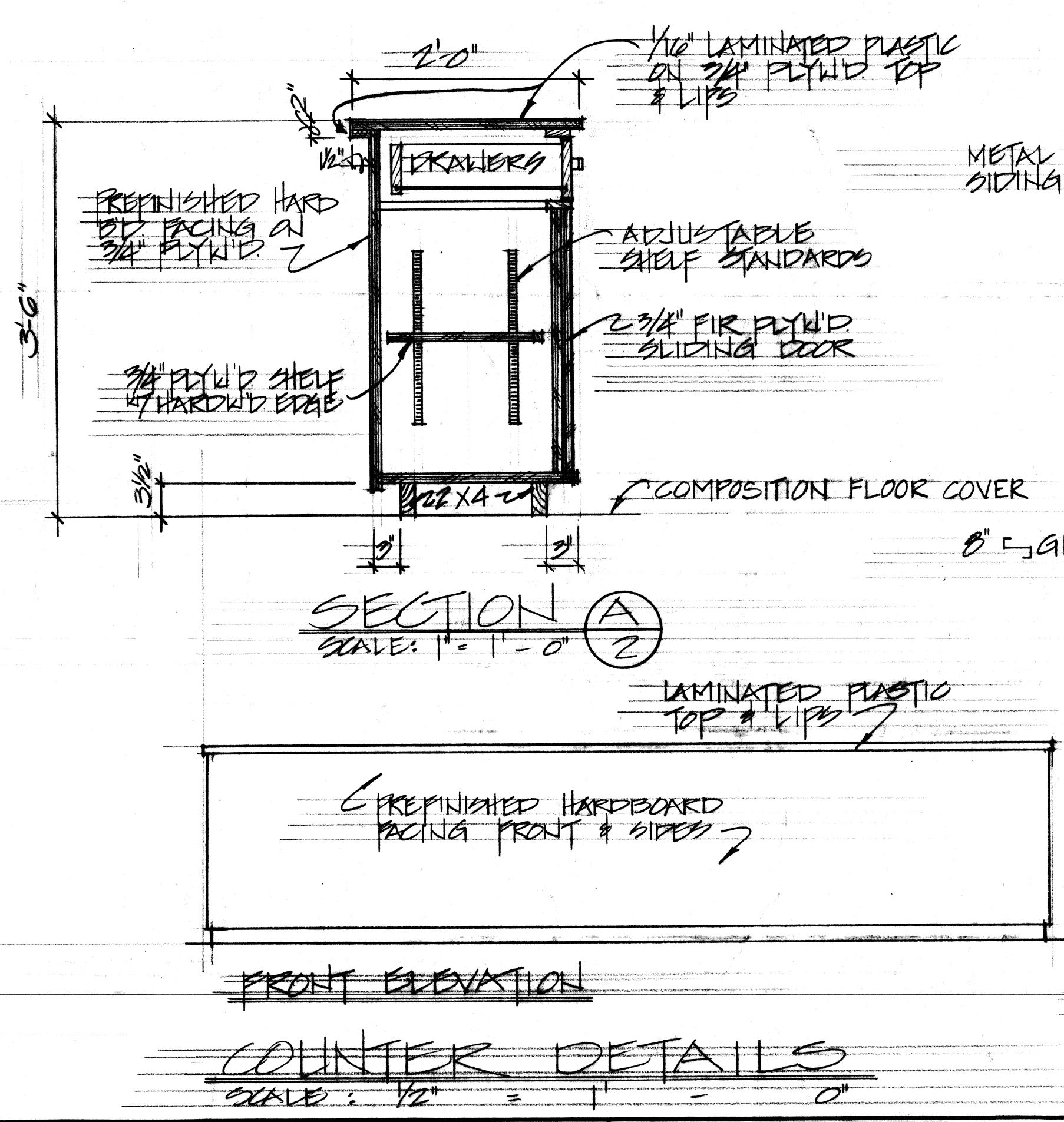


REFLECTED CEILING PLAN
SCALE: 1/8" = 1' - 0"

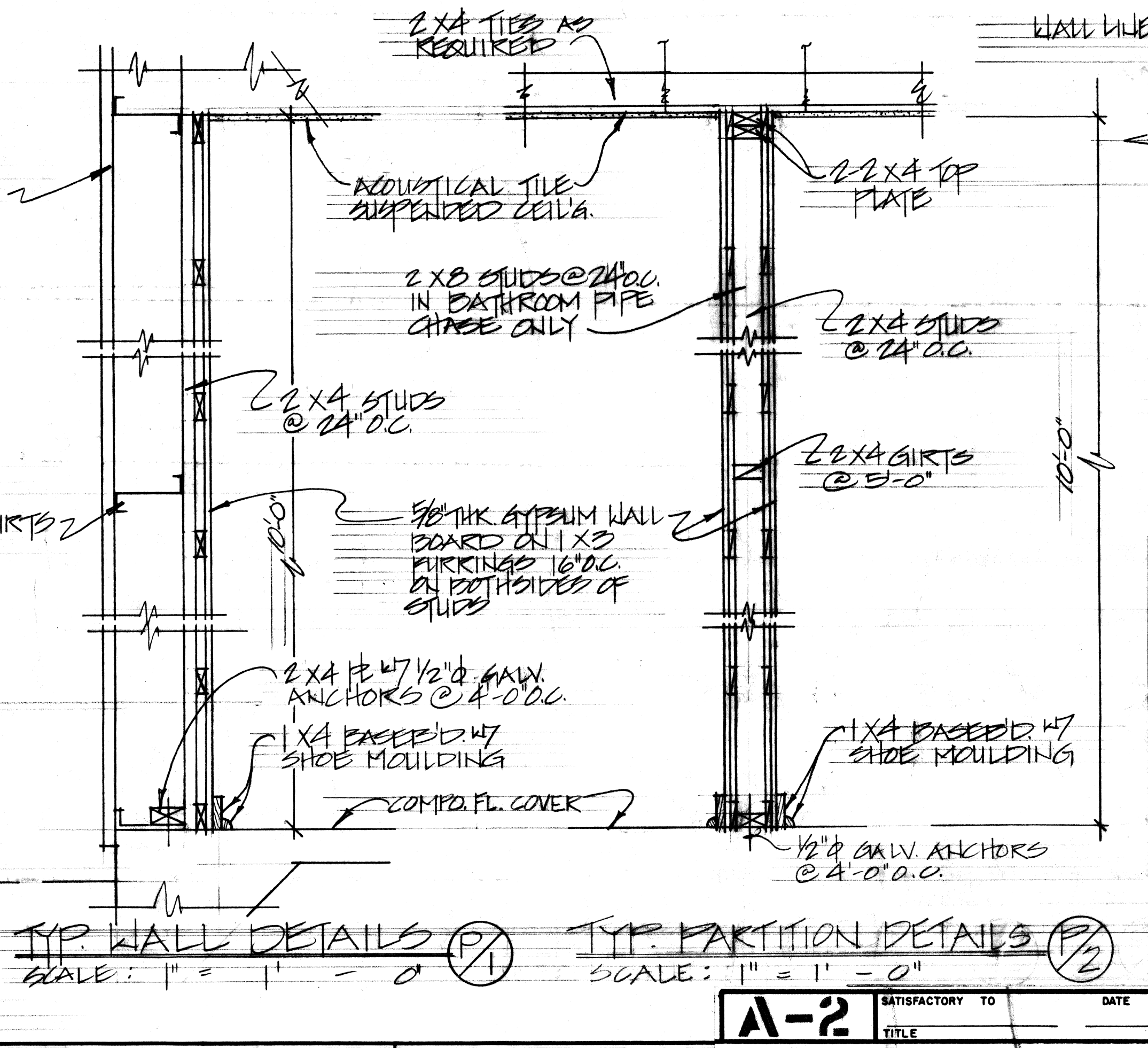


REAR ELEVATION

PLAN VIEW

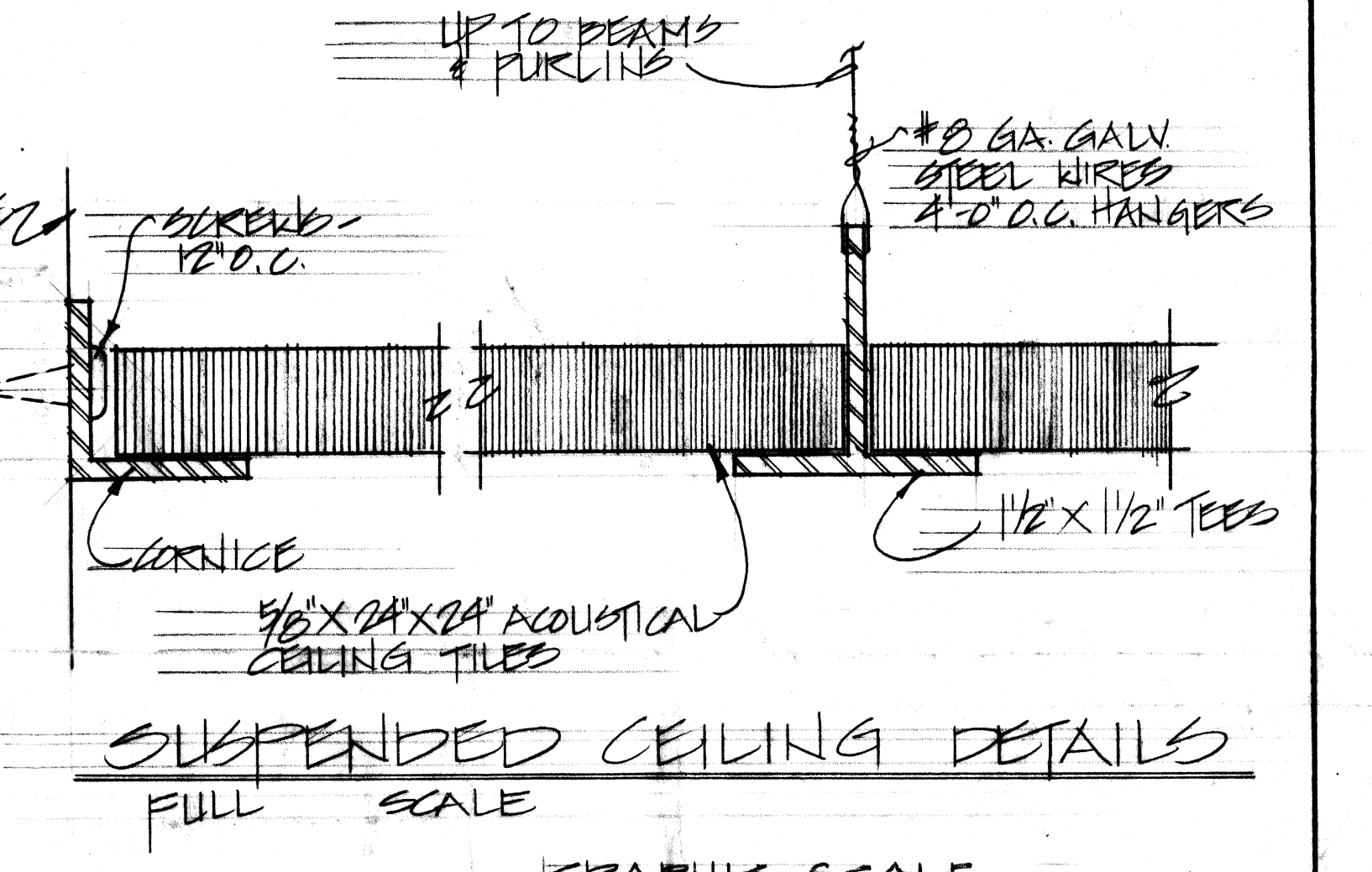


COUNTER DETAILS
SCALE: 1/2" = 1' - 0"

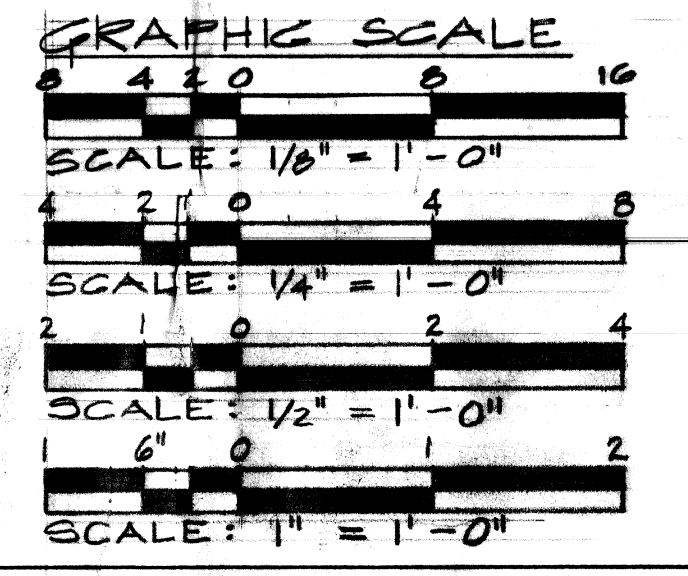


TYP. WALL DETAILS
SCALE: 1" = 1' - 0"

TYP. PARTITION DETAILS
SCALE: 1" = 1' - 0"



SUSPENDED CEILING DETAILS
FULL SCALE



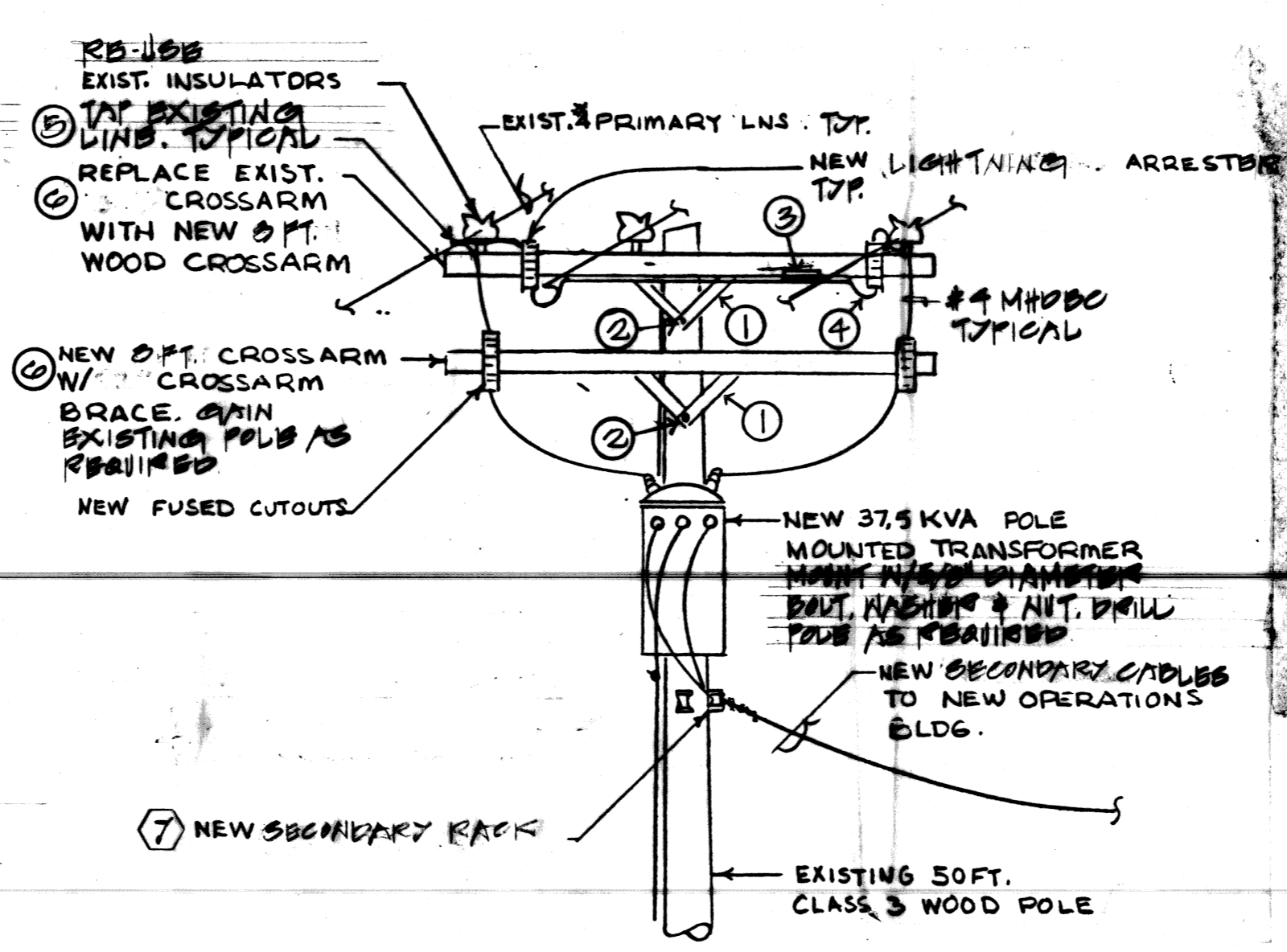
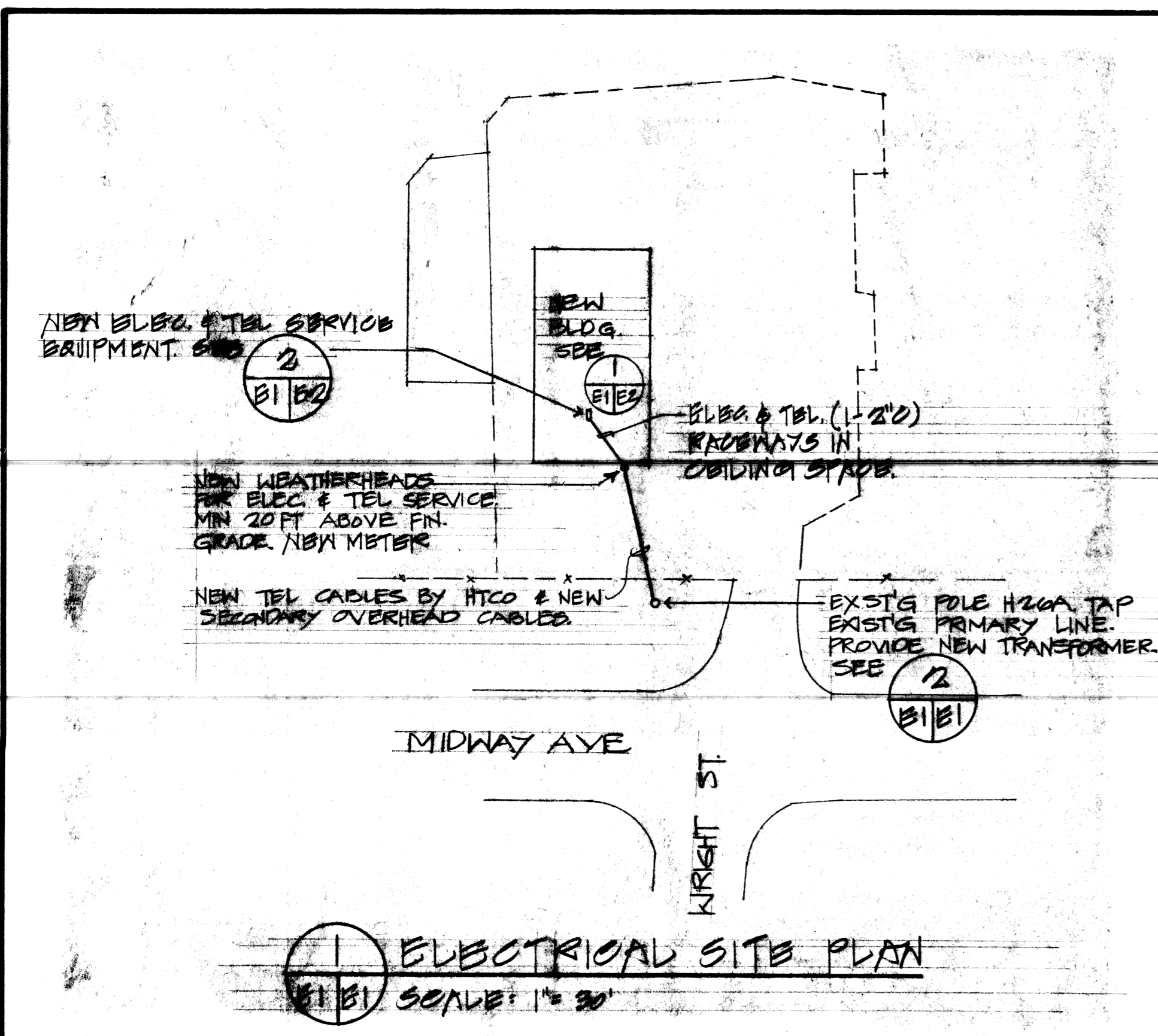
RECORD DRAWING

DATE: 1 OCT 83
 The Contractor will be responsible for coordinating the work among the various trades as necessary to avoid conflicts and to insure the installation of all work within the available space.

ARCH SHT OF	DEPARTMENT OF THE NAVY NAVAL FACILITIES ENGINEERING COMMAND
DES: B.C. LOO	PACIFIC DIVISION
DR: K. SEGALLA	MAKALAPA, HAWAII
CHE: [Signature]	SEABEES POINT NAVAL AIR STATION DANIEL HANAU
OPPE: [Signature]	CONSTRUCT OPERATIONS BUILD'G - 4575 AVIATION CO.
BR MGR: [Signature]	25 INFANTRY DIVISION
DIRECTOR: [Signature]	ELEVATIONS, BUILDING SECTION, CEILING PLANS AND DETAILS, COUNTER AND PARTITION DETAILS AND INTERIOR ELEVATIONS
APPROVED: [Signature]	DATE: 6/1/83
DATE: 6/1/83	SIZE: CODE IDENT NO. NAVFAC DRAWING NO.
FOR COMMANDER, NAVFAC	80091 7058020
	CONSTR CONTR NO. N162471-24-C-4-1455
	SCALE AS SHOWN SPEC 4-84-1453 SHEET 5 OF 7

7058016

BLDG 1903



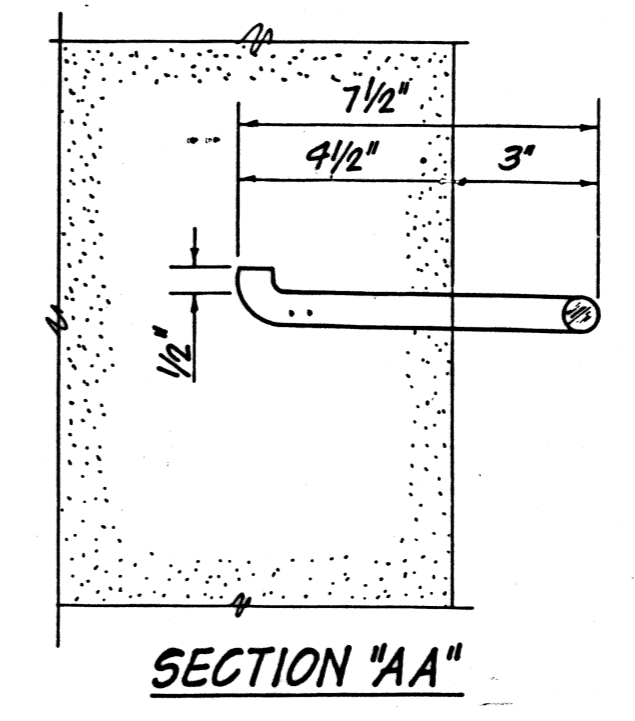
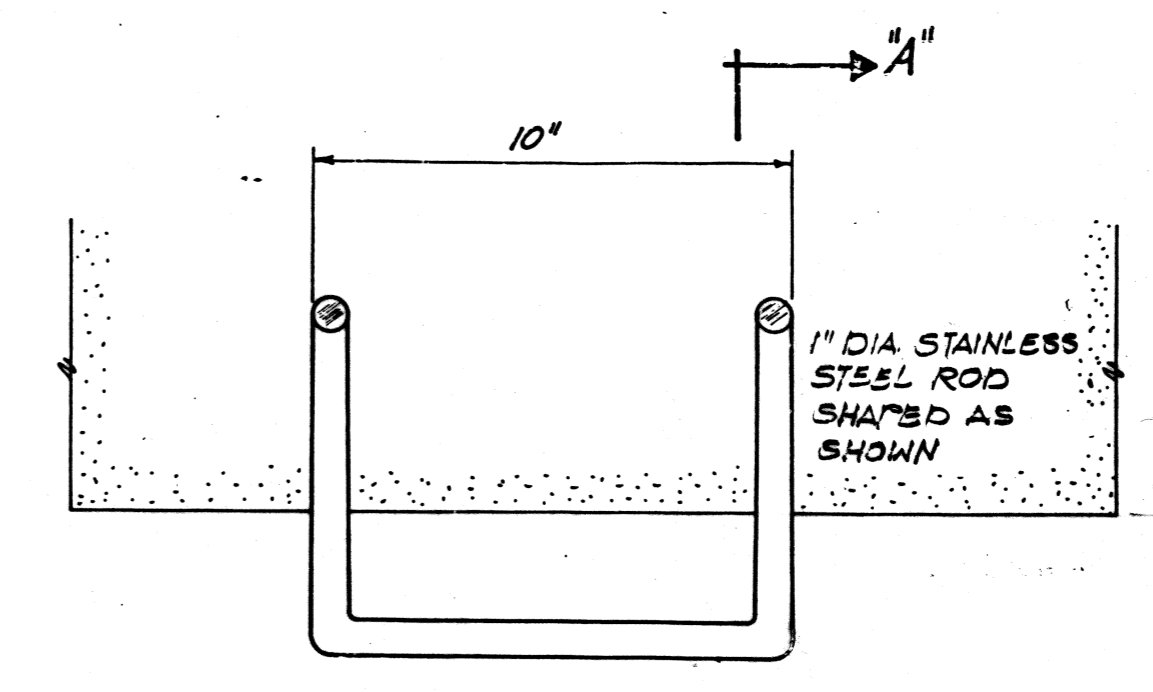
NOTE:
CONTRACTOR SHALL COORDINATE ALL TELEPHONE WORK WITH HICG.

BILL OF MATERIALS

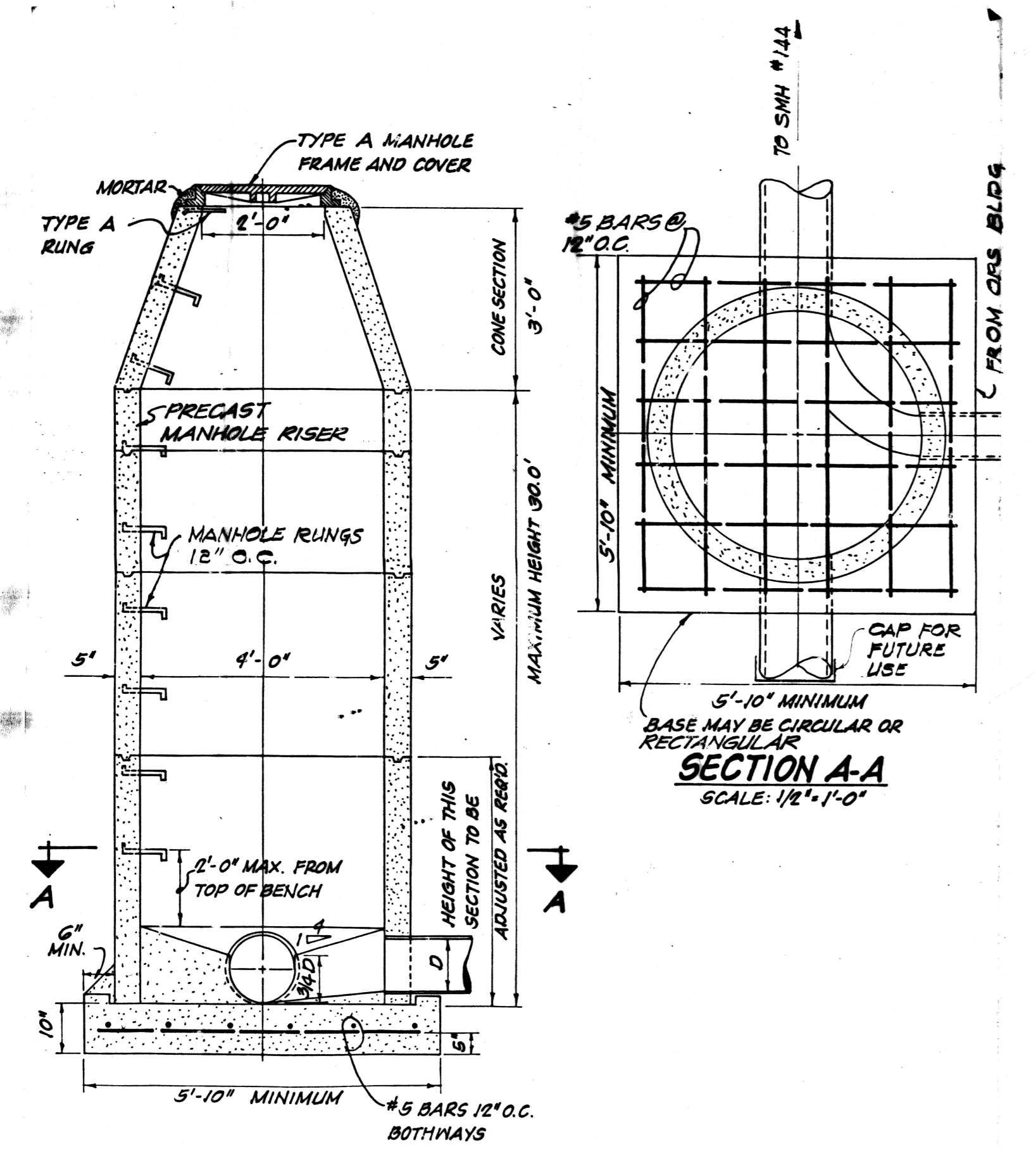
- CROSS ARM BRACE, PLAT 1/2" x 1/4" x 20" (TYPICAL)
- WIRE SCREEN, 1/2" x 4" (TYPICAL)
- HIGH VOLTAGE SIGN
- BARE COPPER CABLE, #4 SBC
- SPLIT BOOT CONNECTOR (TYP)
- CROSSARM WOOD, 3/2" x 1/2" x 8'-0" (TYPICAL)
- BOUNDARY RACK WITH SINGLE STOOD INSULATOR, 3/8" MOUNTING BOLTS, WASHERS AND NUTS

REVISIONS		
LTR	DESCRIPTION	DATE APPROVED
AS BUILT		1 OCT 1986

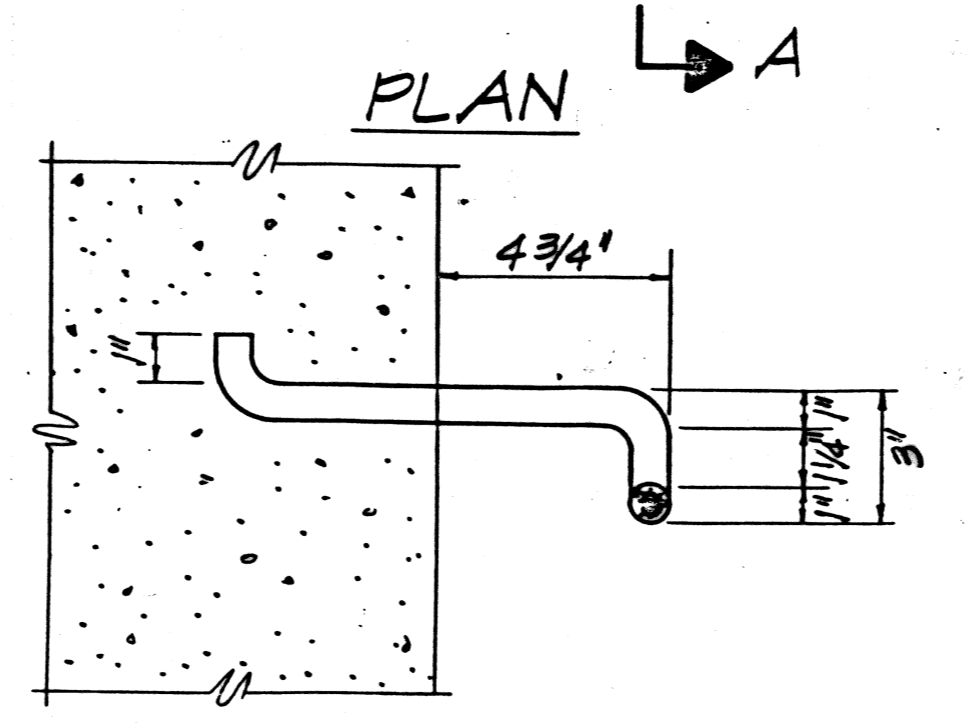
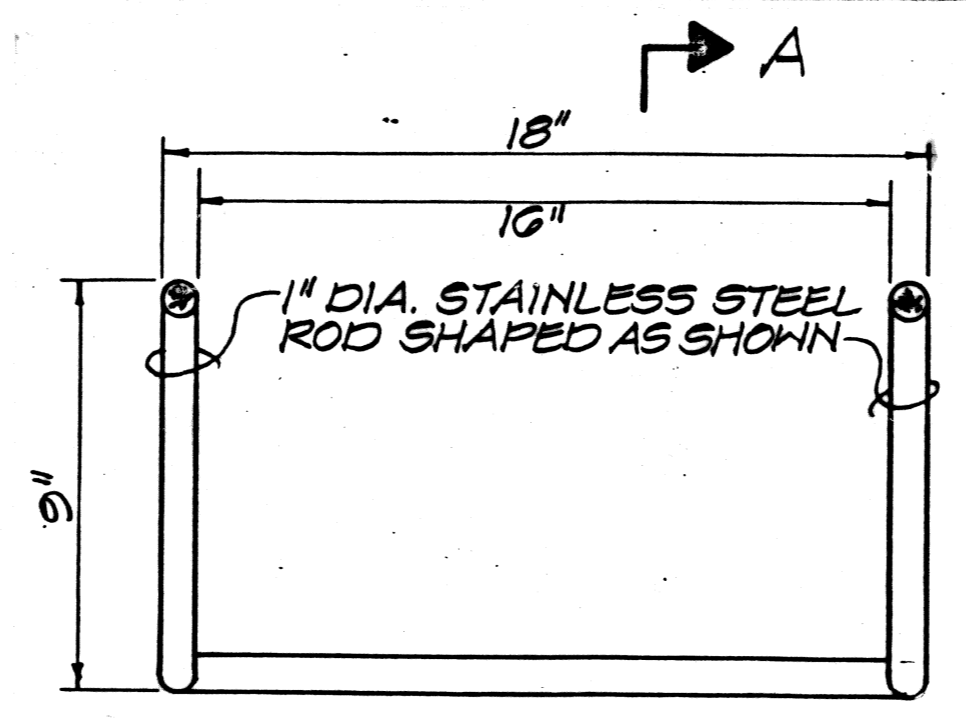
- GENERAL NOTES: (CIVIL)**
- CONTRACTOR SHALL VERIFY ALL EXISTING CONDITIONS AND DIMENSIONS PRIOR TO COMMENCEMENT OF WORK.
 - CONTRACTOR SHALL VERIFY LOCATIONS OF ALL EXISTING UTILITIES WITH APPROPRIATE OWNERS PRIOR TO COMMENCEMENT.
 - HORIZONTAL AND VERTICAL SURVEY CONTROLS ARE BASED ON "4" CUT ON CURB AT MIDWAY AND WRIGHT. ASSUMED ELEVATION = 100.00 AND NAIL IN PAVEMENT, ASSUMED AZIMUTH 0°00'.
 - UTILITIES LOCATIONS WERE OBTAINED FROM NAVFAC DWGS 7002707 AND 7002718.



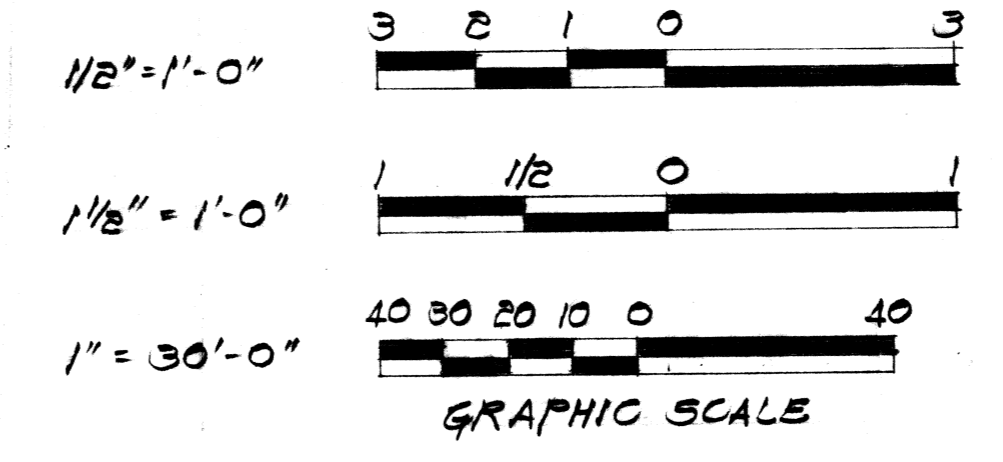
3 MANHOLE RUNGS-TYPE A
SCALE: 3" = 1'-0"



1 PRE-CAST MANHOLE-PLAIN
SCALE: 1/2" = 1'-0"



2 MANHOLE RUNG DETAILS (STAINLESS STEEL)
NO SCALE



RECORD DRAWING
1 OCT 1986

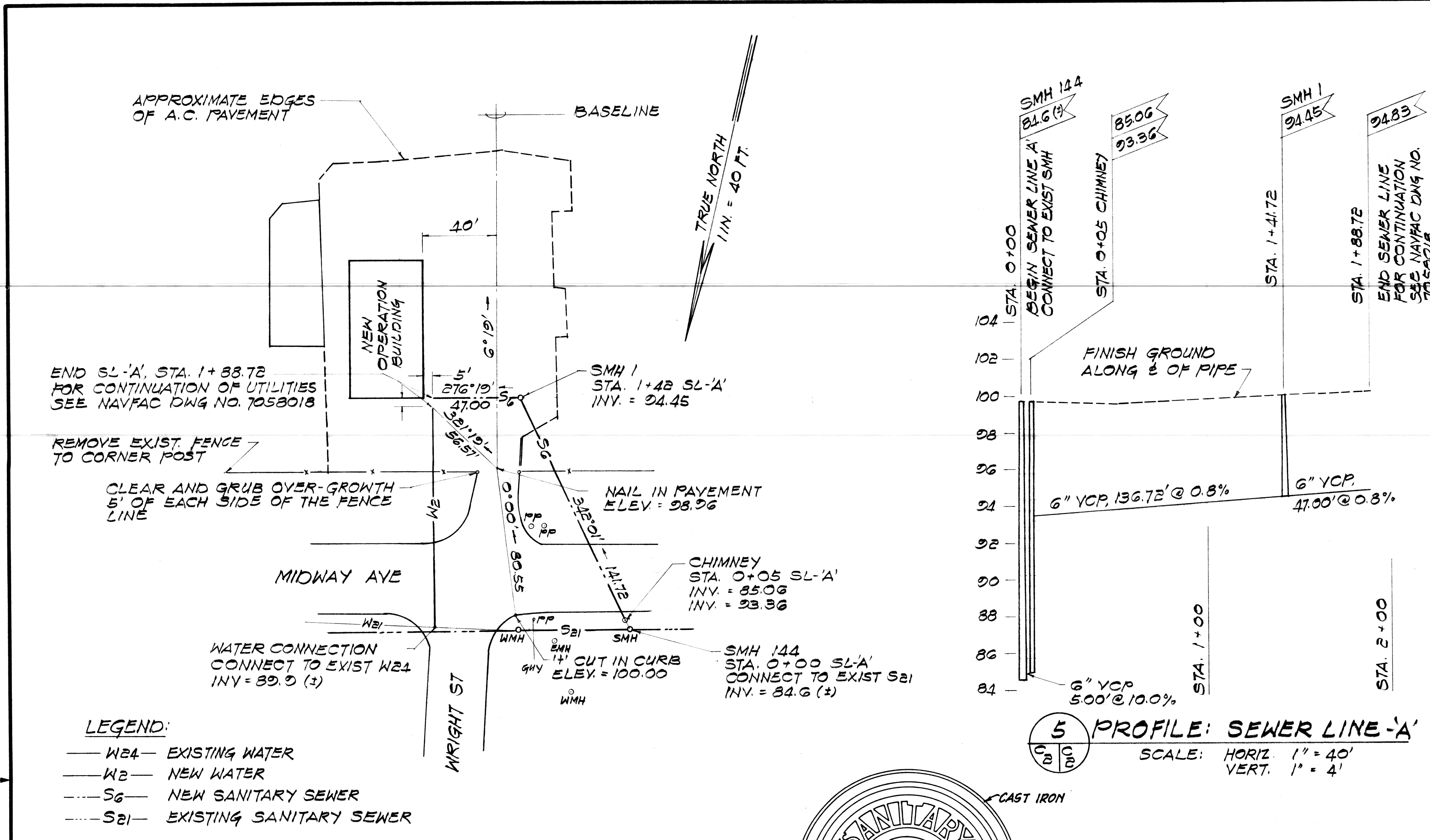
The Contractor will be responsible for coordinating the work among the various trades as necessary to avoid conflicts and to insure the installation of all work within the available space.

IF SHEET IS LESS THAN 22" x 34"
IT IS A REDUCED PRINT - SCALE REDUCED ACCORDINGLY

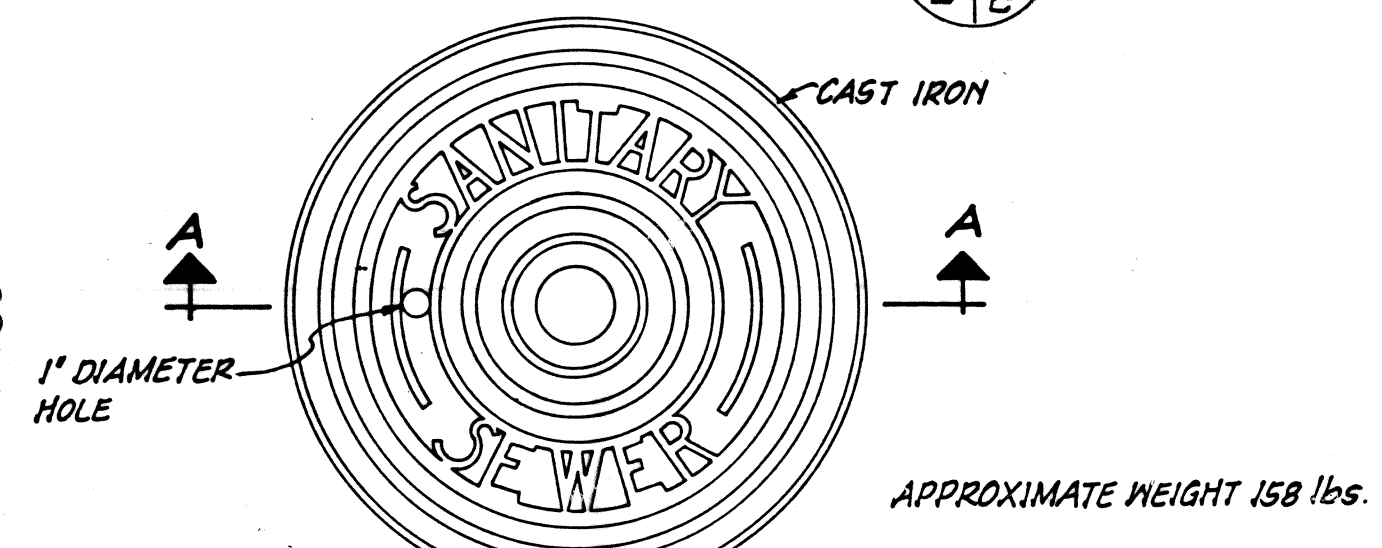
CIVIL/ELEC SHT OF	DEPARTMENT OF THE NAVY	NAVAL FACILITIES ENGINEERING COMMAND
DES CFIPL/WKJ/SK / D	PACIFIC DIVISION	MAKALAPA, HAWAII
DR 80	BARBERS POINT NAVAL AIR STATION, OAHU, HAWAII	
CHK HET / SNW	CONSTRUCT OPERATIONS	
DPPE	BUILDG - 14TH AVIATION CO.	
BR MUR/ST	25W - INFANTRY DIVISION	
DIRECTOR	ELECTRICAL SITE PLAN AND DETAILS/SEWER DETAILS	
APPROVED	DATE	SIZE CODE IDENT NO. NAVFAC DRAWING NO.
		80091 7058016
		CONSTR CONTR NO. NGS471-84-C-1488
		SCALE AS NOTED SPEC 14-84-1488 SHEET 1 OF 7

1903

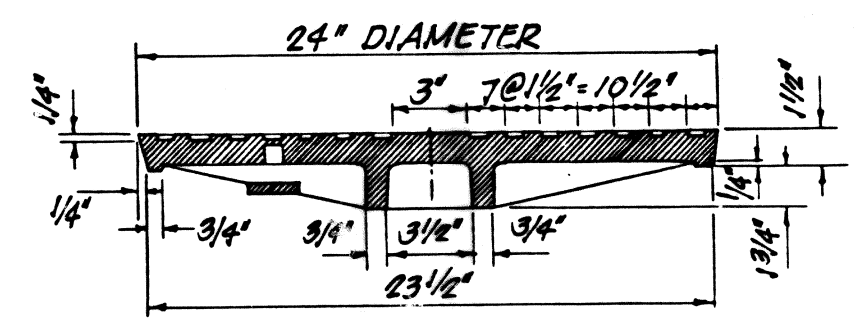
REVISIONS			
LTR	DESCRIPTION	DATE	APPROVED
AS BUILT		1 OCT 1986	AV



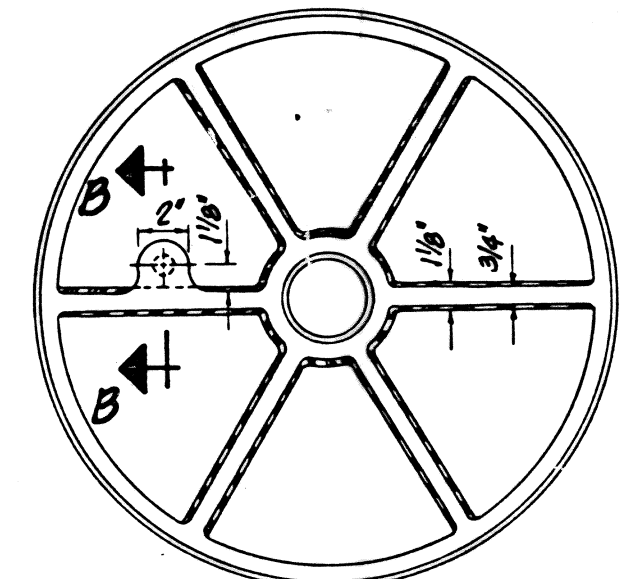
4 WATER & SEWER SITE PLANS
 SCALE: 1" = 40'-0"



PLAN OF MANHOLE COVER
 SCALE: 1/2" = 1'-0"



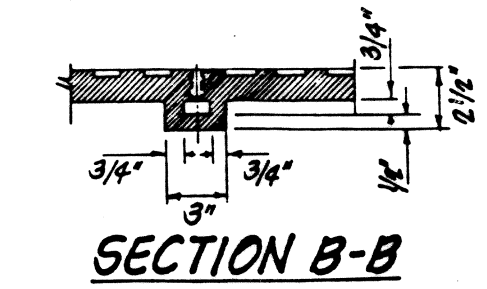
SECTION A-A
 SCALE: 1/2" = 1'-0"



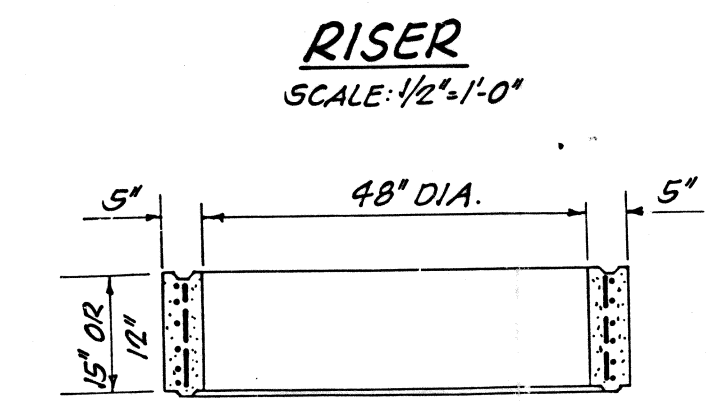
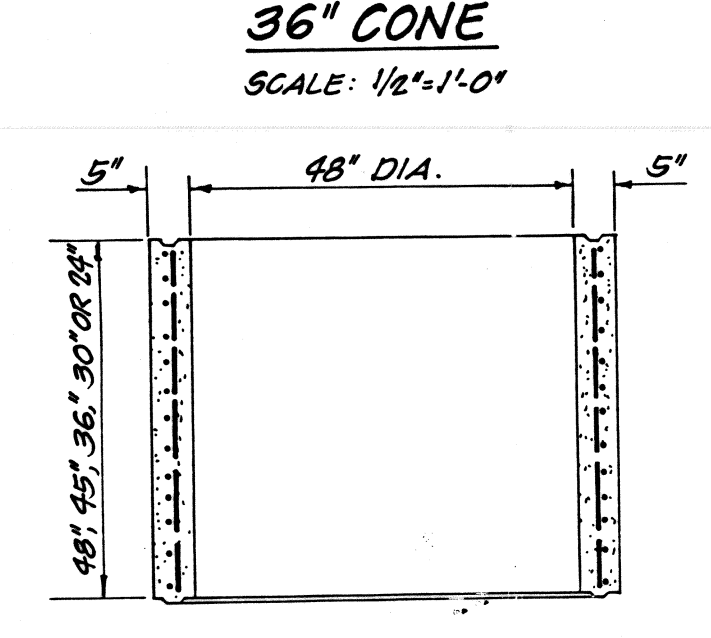
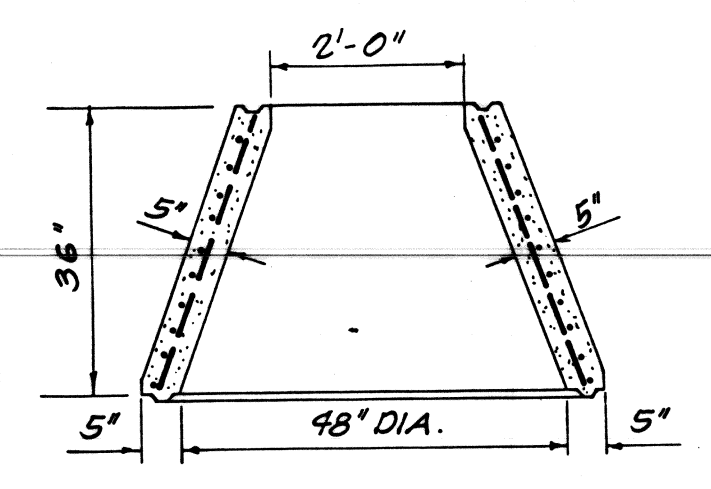
BOTTOM VIEW OF COVER
 SCALE: 1/2" = 1'-0"

6 MANHOLE COVER - TYPE A

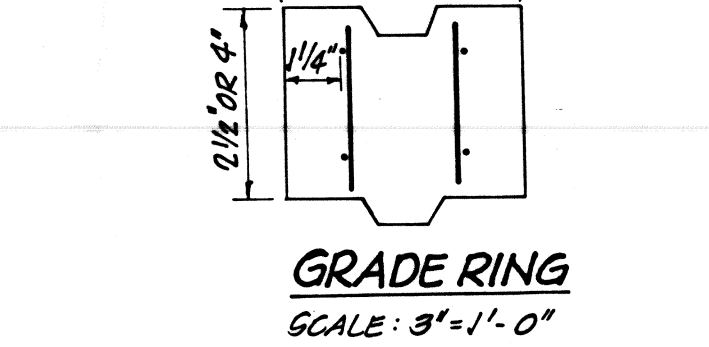
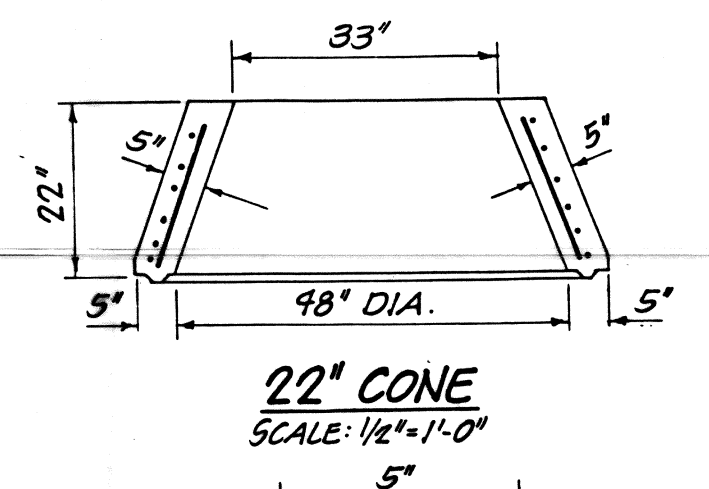
NOTE:
 THIS COVER IS USED WITH THE A OR D FRAME.



5 PROFILE: SEWER LINE 'A'
 SCALE: HORIZ 1" = 40'
 VERT. 1" = 4'

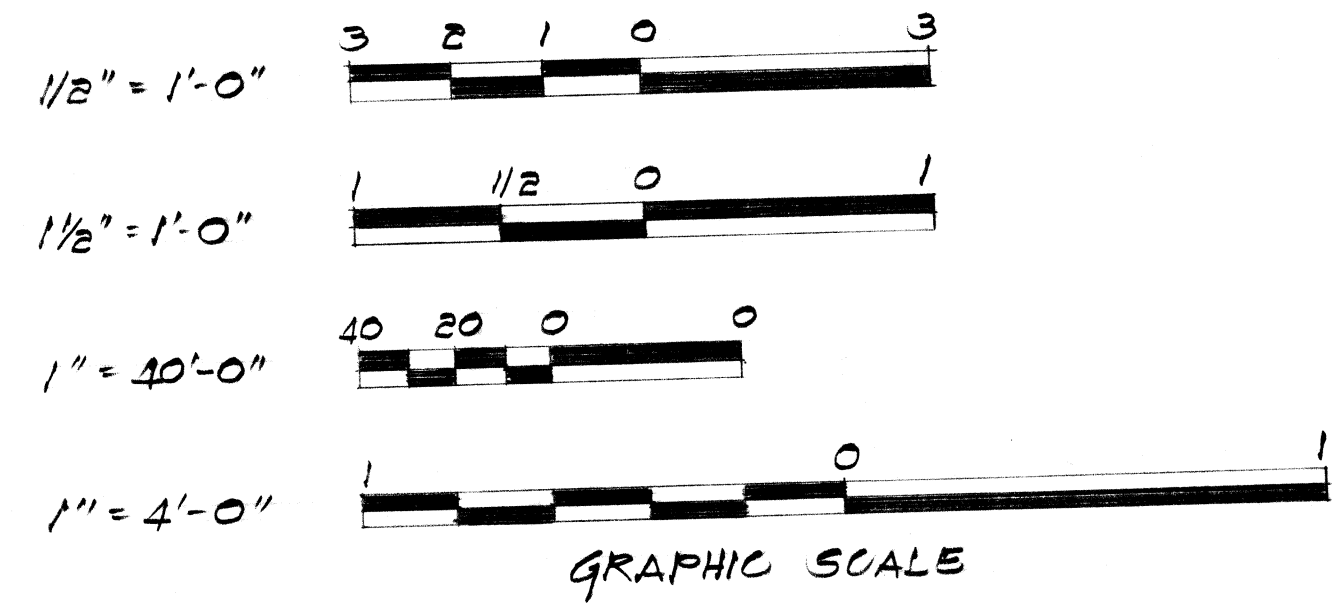


7 PRE-CAST MANHOLE WALL



SECTION	AS L.F.
48"x48" RISER	0.15
48"x48" RISER	0.15
48"x36" RISER	0.15
48"x30" RISER	0.15
48"x24" RISER	0.15
48"x15" RISER	0.15
48"x15" RISER	0.15
48"x24"x36" CONE	0.6
48"x33"x22" CONE	0.6
22"x4" GRADE RING	0.12
22"x2 1/2" GRADE RING	0.12

- NOTES:**
- PRE-CAST SECTIONS SHALL CONFORM TO ASTM C478.
 - MANUFACTURERS MAY SUBMIT TO THE OICC FOR APPROVAL, PRIOR TO MANUFACTURING, DESIGNS OTHER THAN THOSE SHOWN ON THIS SHEET.



The Contractor will be responsible for coordinating the work among the various trades as necessary to avoid conflicts and to insure the installation of all work within the available space.

RECORD DRAWING
 DATE 1 OCT 1986

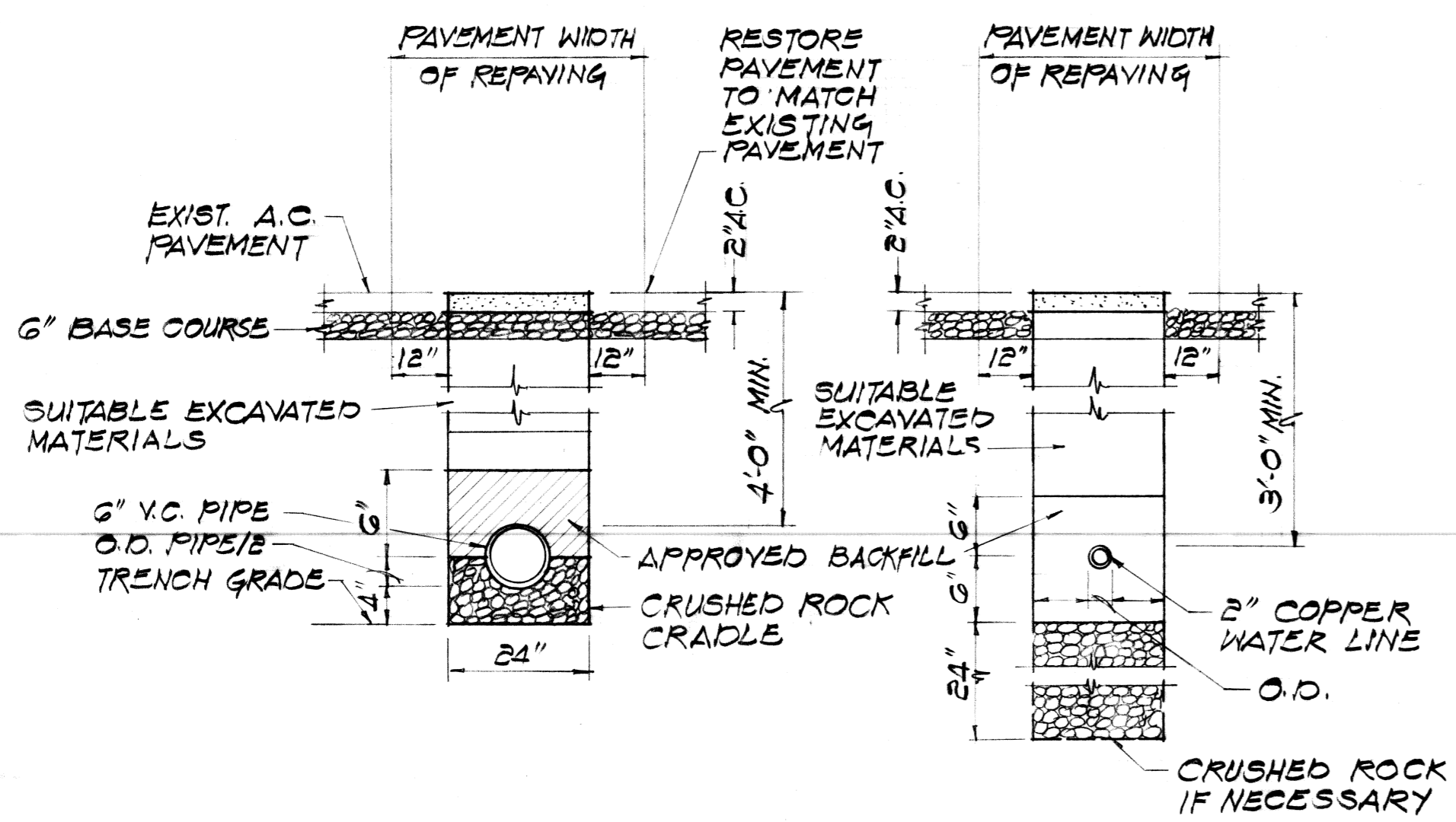
IF SHEET IS LESS THAN 22" x 34"
 IT IS A REDUCED PRINT - SCALE REDUCED ACCORDINGLY

CIVIL	SHT OF	DEPARTMENT OF THE NAVY	NAVAL FACILITIES ENGINEERING COMMAND
DES JSK		PACIFIC DIVISION	MAKALAPA, HAWAII
DR 50		BARBERS POINT NAVAL AIR STATION, OAHU, HAWAII	CONSTRUCT OPERATIONS
CHK WJK		BUILD'G - 14TH AVIATION CO.	25TH - INFANTRY DIVISION
DFPE			
DR MGR			
DIRECTOR	DATE	SITE PLAN/SEWER PROFILE AND DETAILS	
APPROVED	DATE	SIZE	CODE IDENT NO.
		80091	7058017
		FOR COMMANDER, NAVFAC	CONSTR CONTR NO. N62471-84-C-1488
		SCALE AS NOTED	SPEC 1.1-84-488 SHEET 2 OF 7

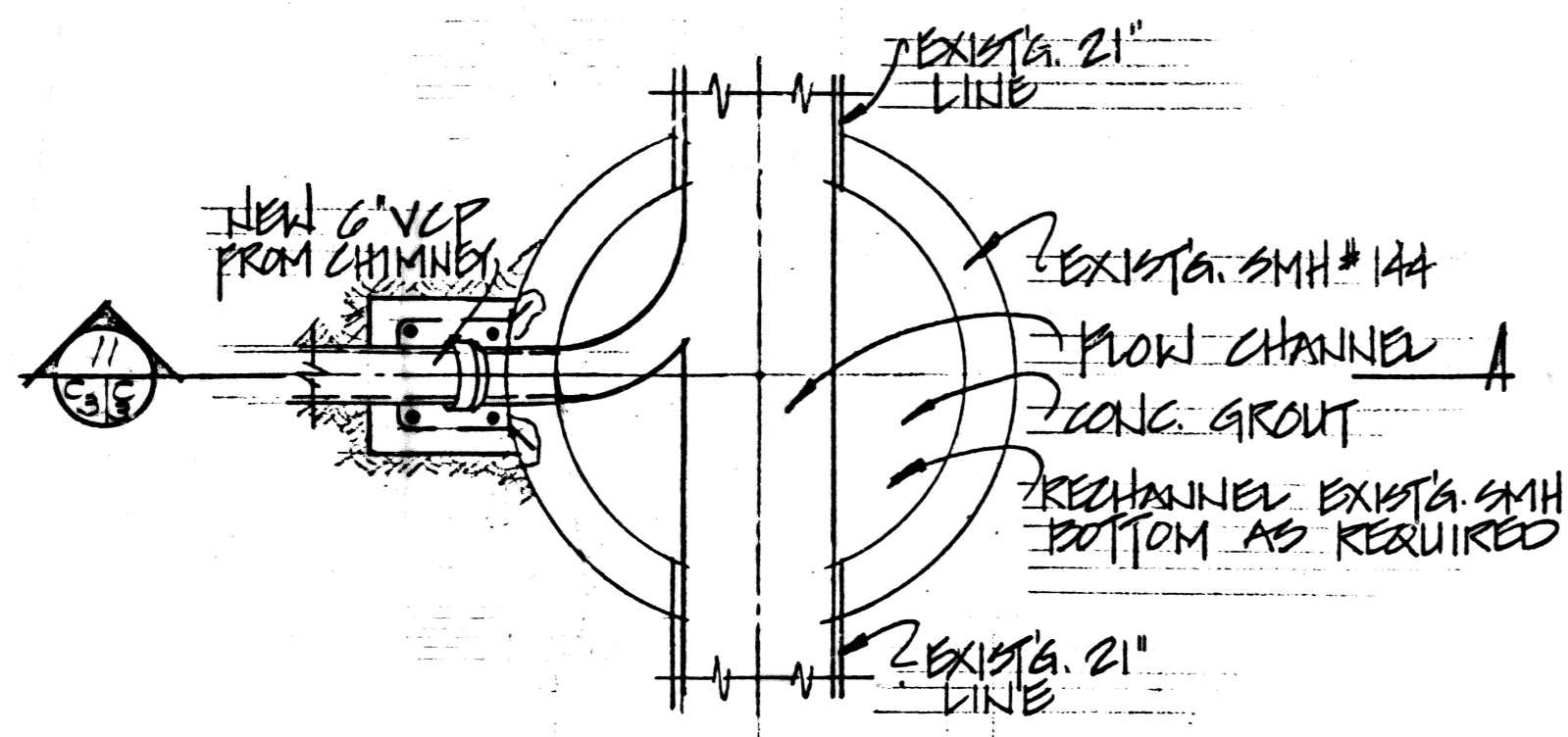
C-2 SATISFACTORY TO DATE

7058017

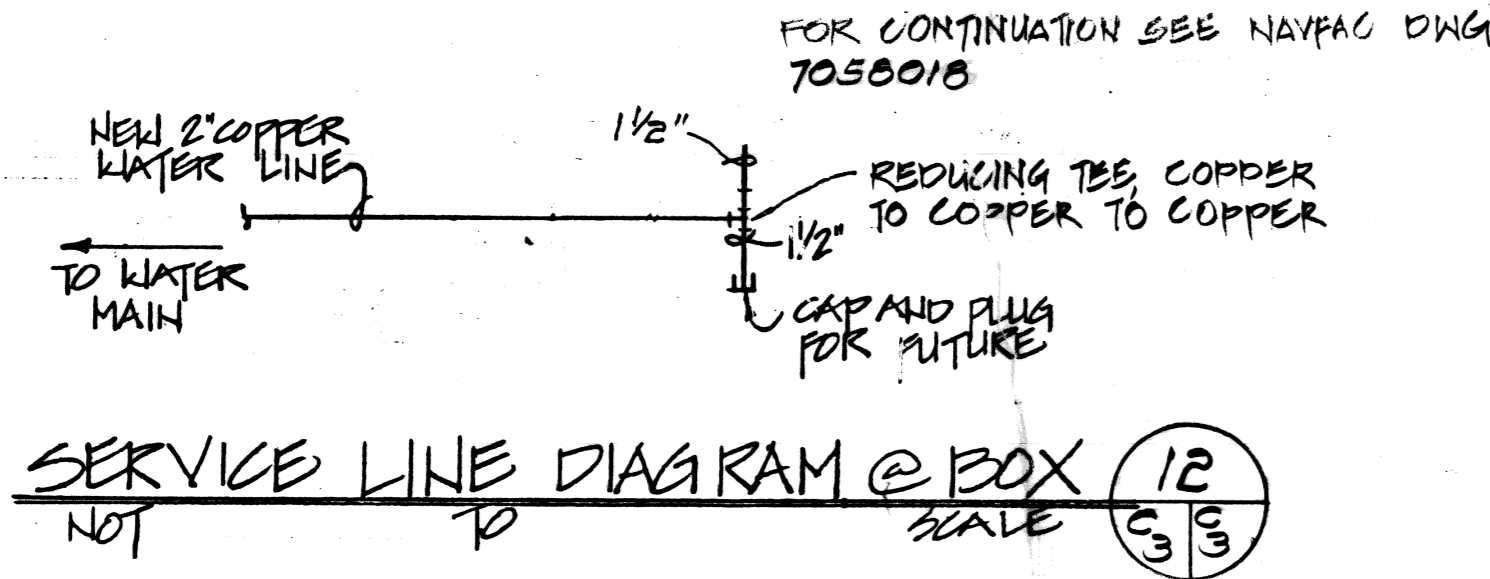
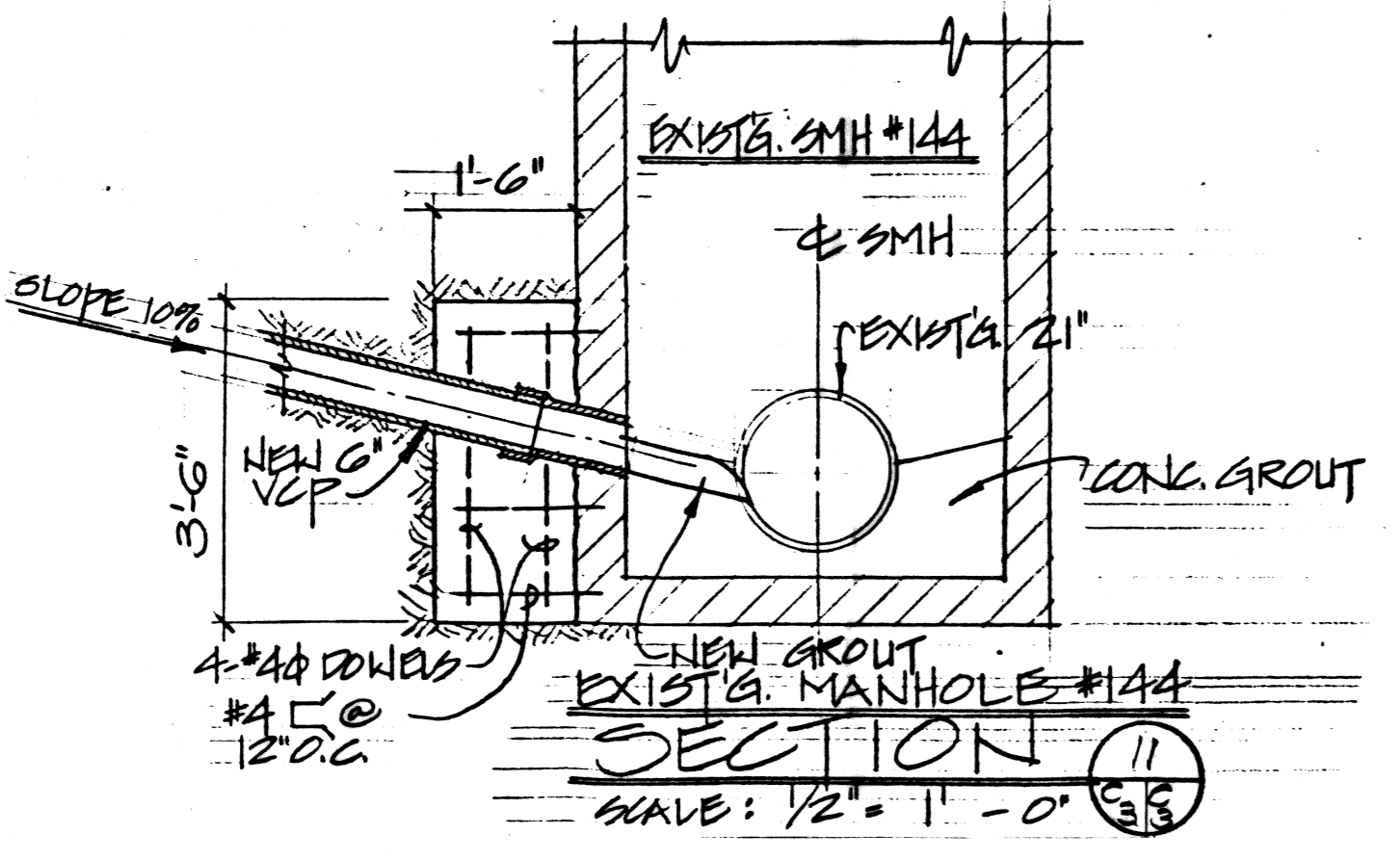
BLD 1903



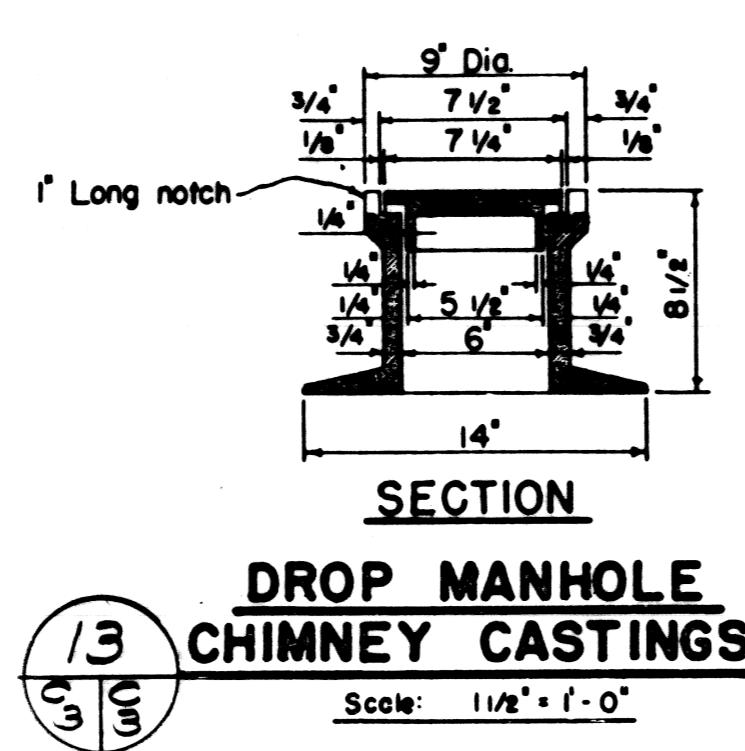
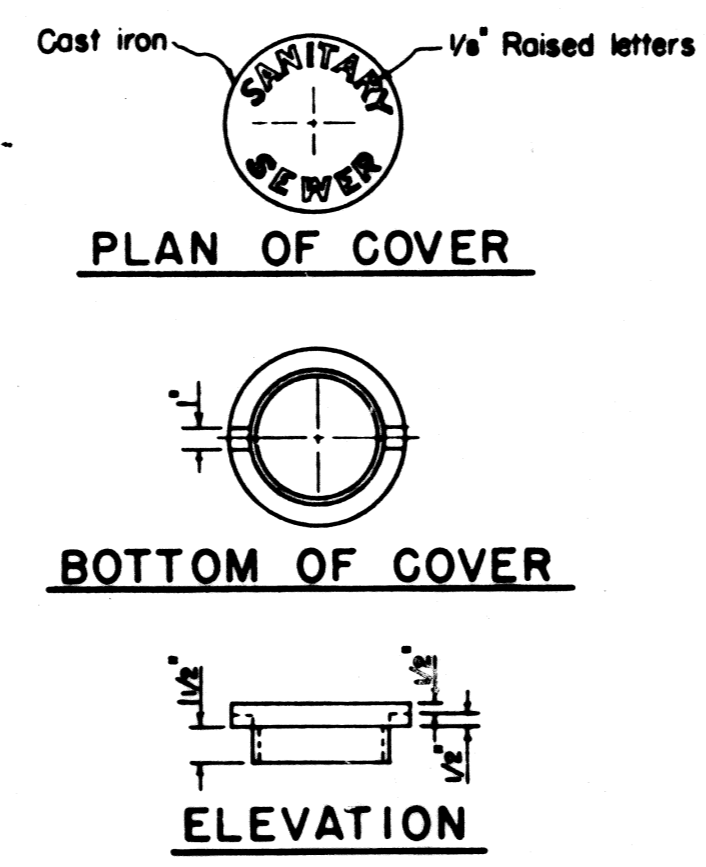
SEWER LINE TYP TRENCH DETAIL (Scale: NOT TO SCALE)
WATER LINE TYP TRENCH DETAIL (Scale: NOT TO SCALE)



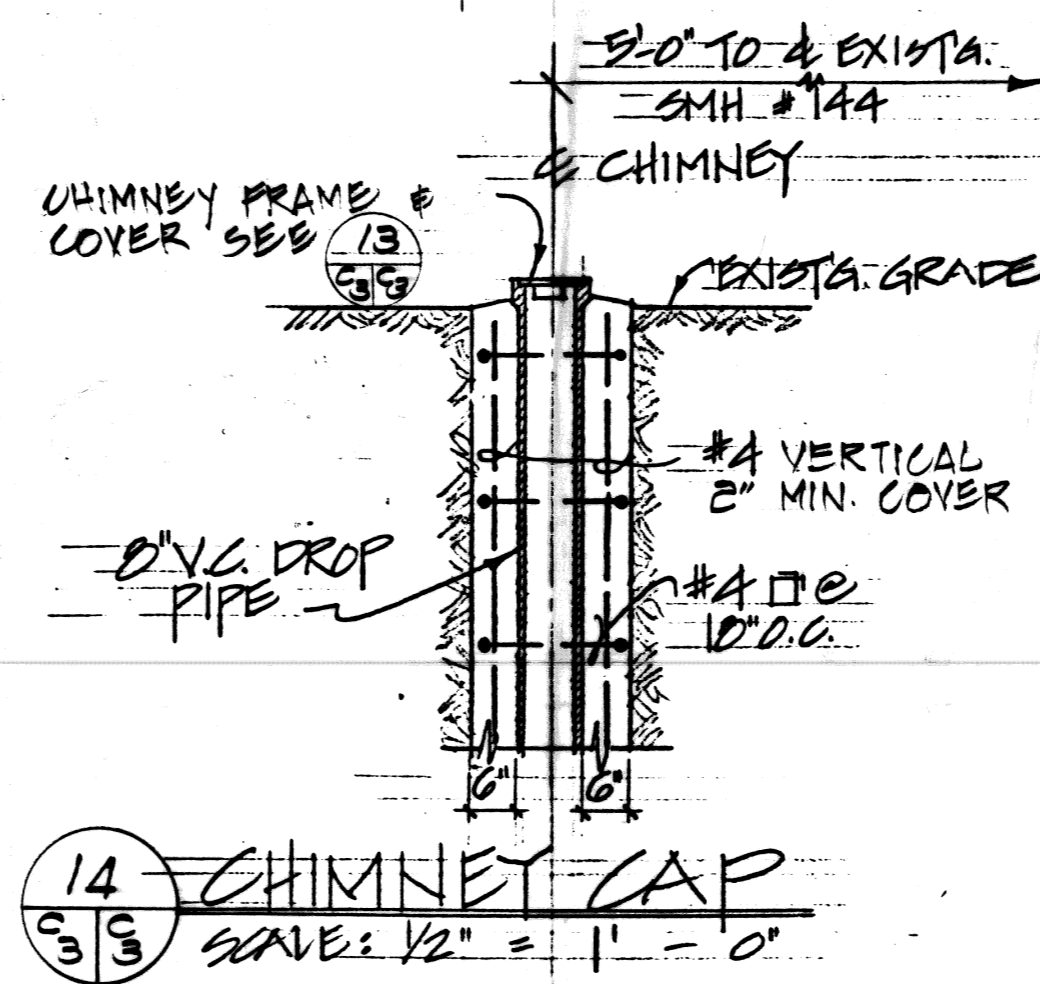
10 PLAN OF CHANNEL INTERSECTION (Scale: 1/2" = 1'-0")



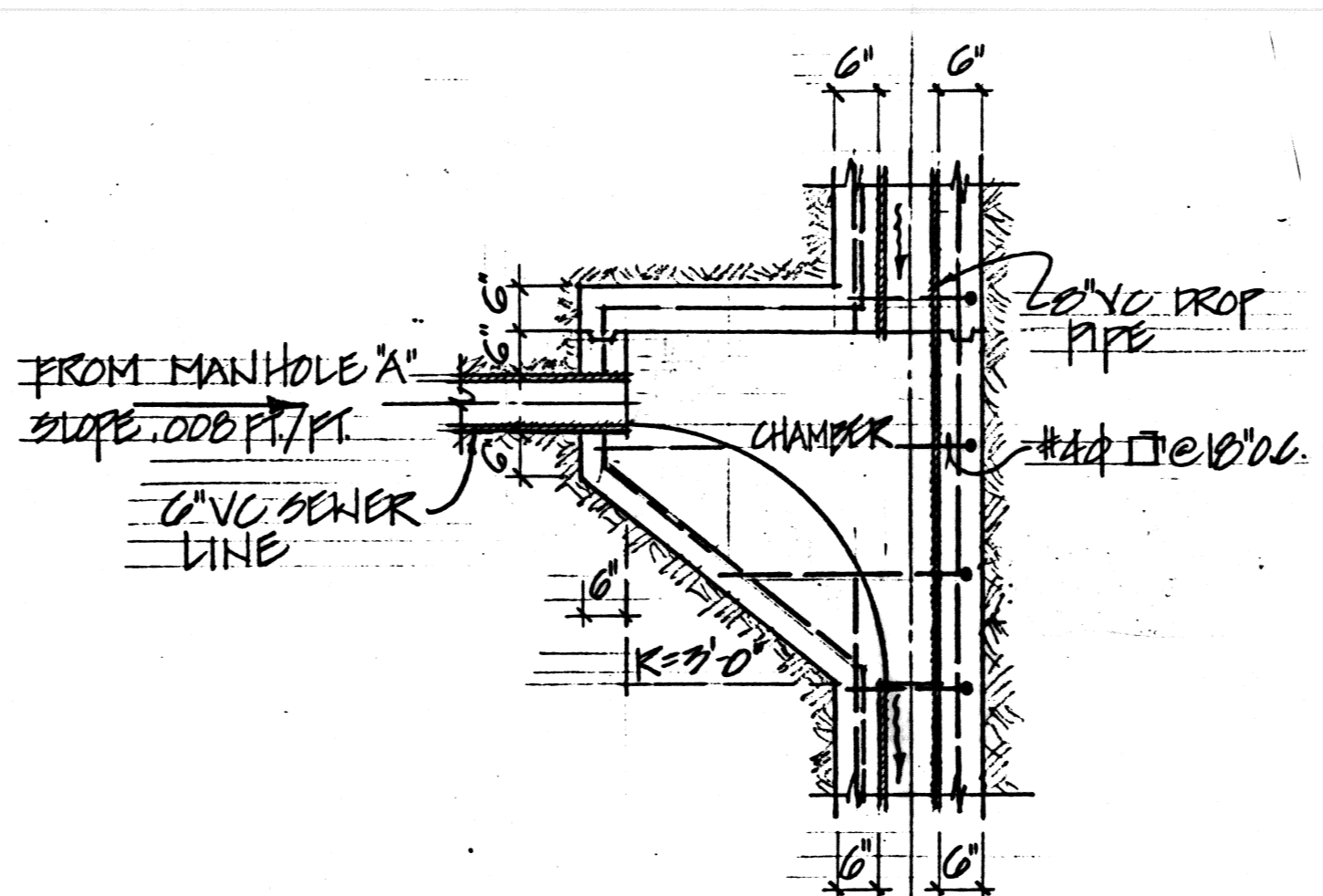
12 SERVICE LINE DIAGRAM @ BOX (Scale: NOT TO SCALE)



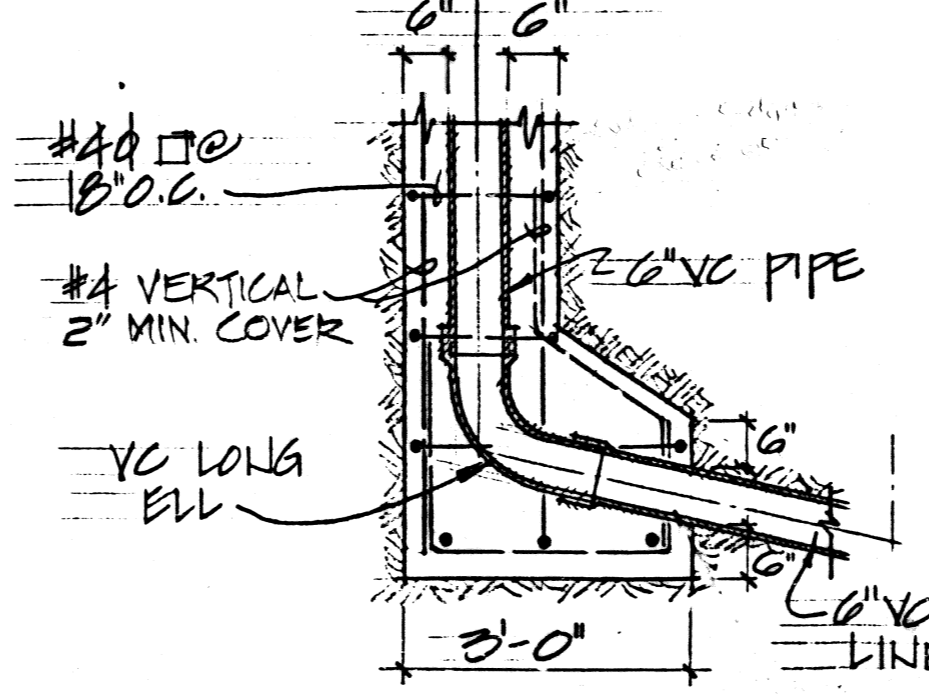
13 DROP MANHOLE CHIMNEY CASTINGS (Scale: 1 1/2" = 1'-0")



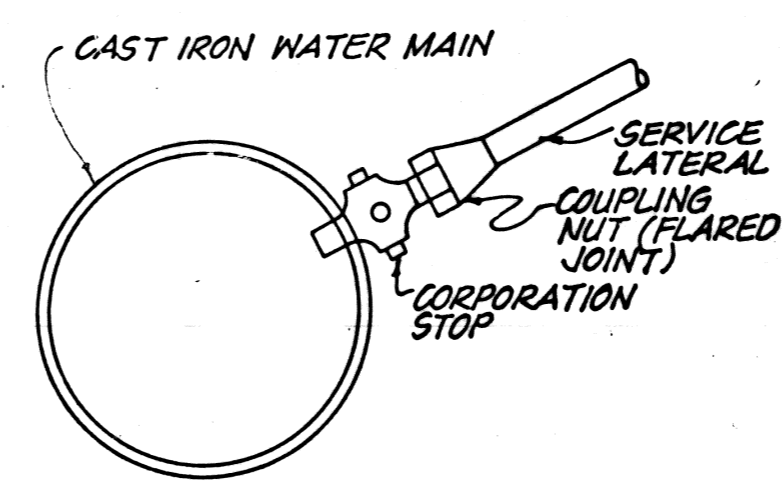
14 CHIMNEY CAP (Scale: 1/2" = 1'-0")



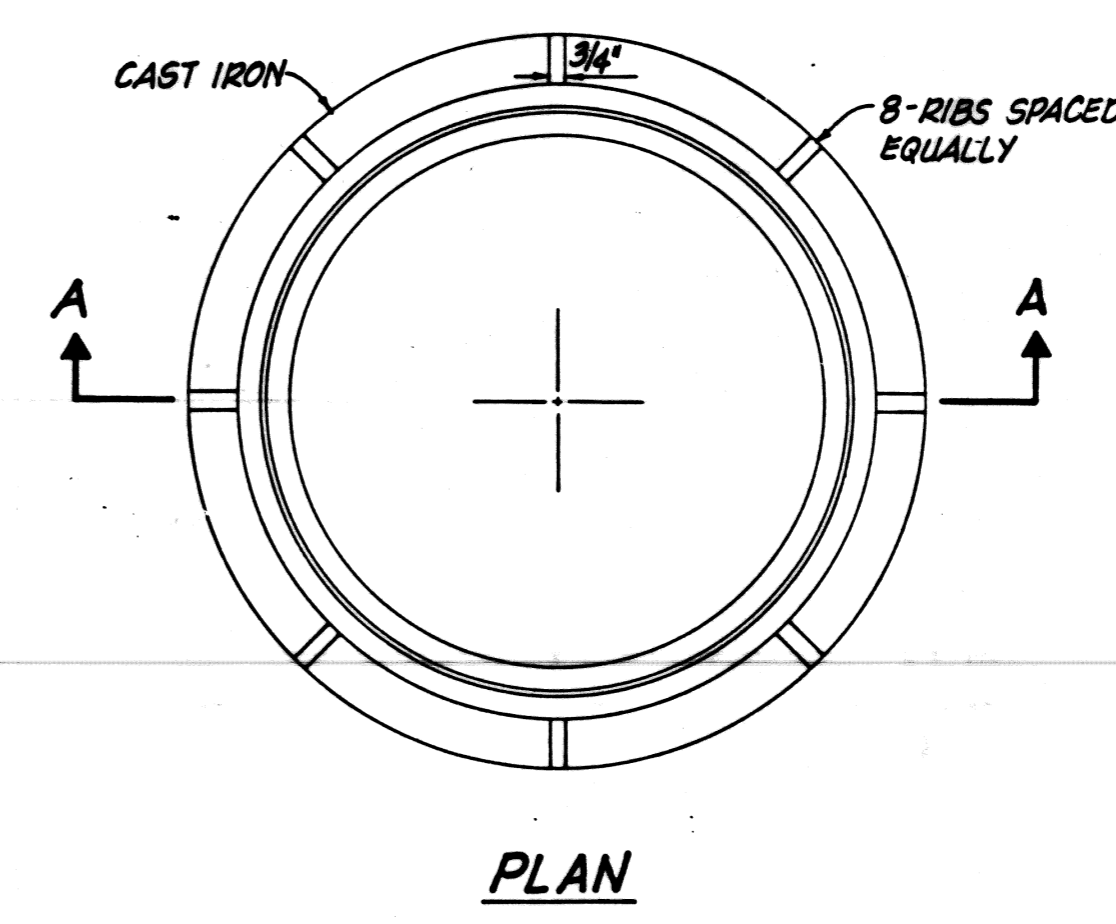
15 CHIMNEY DROP (Scale: 1/2" = 1'-0")



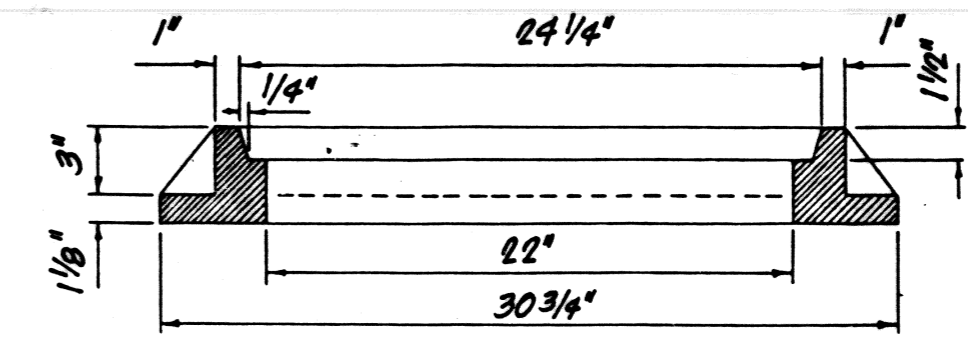
16 CHIMNEY BASE (Scale: 1/2" = 1'-0")



17 WATER SERVICE CONNECTION (Scale: NOT TO SCALE)

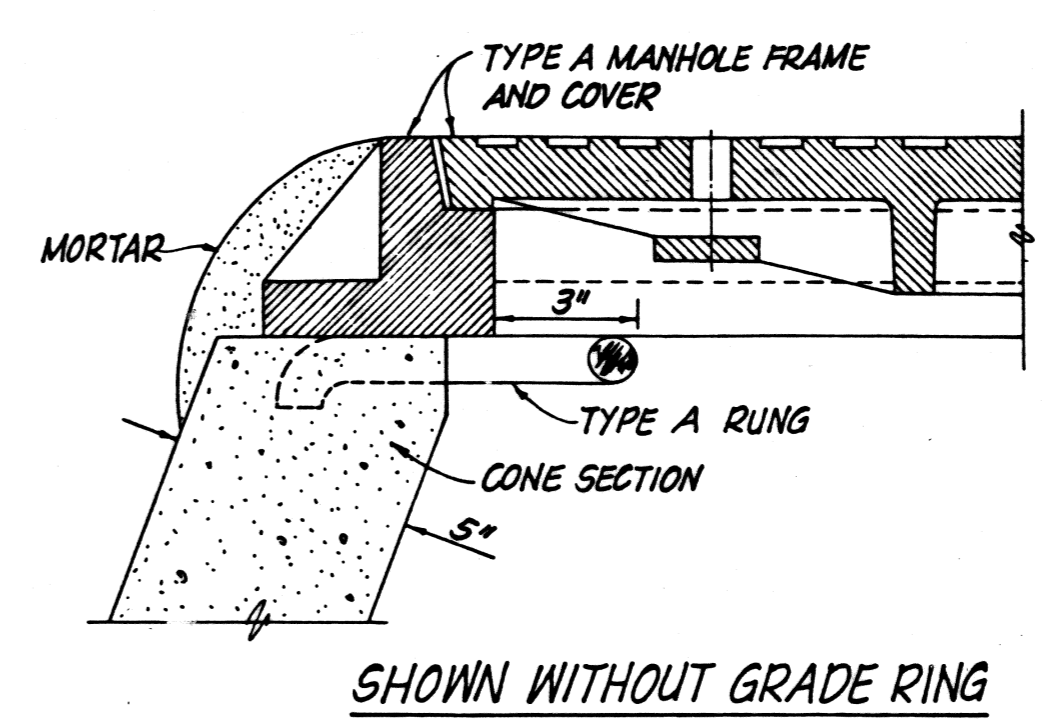


PLAN

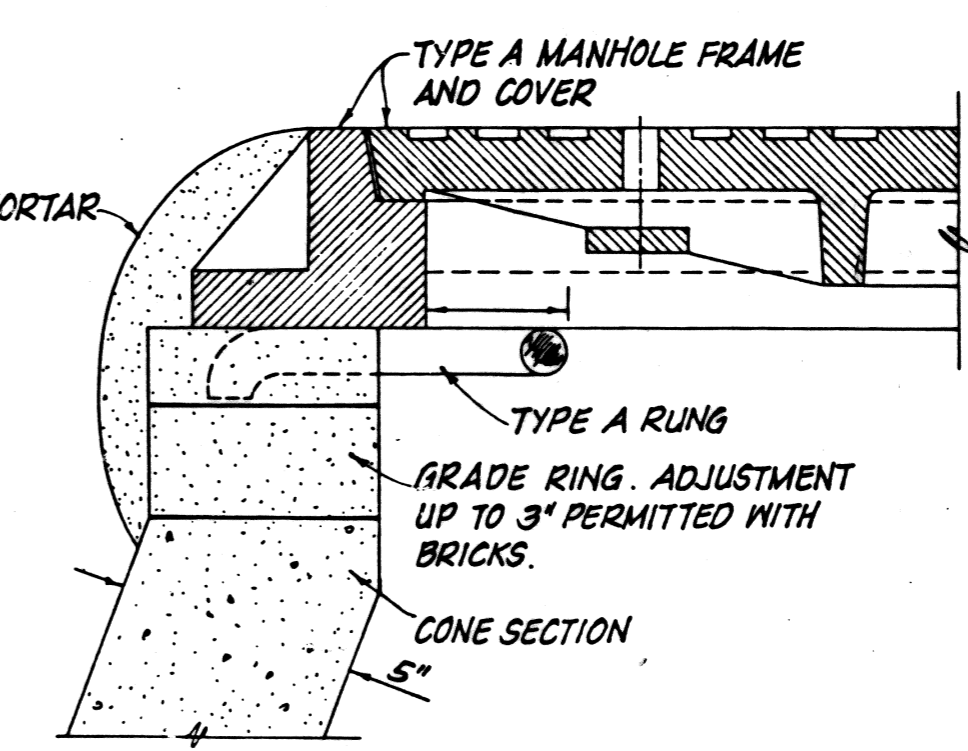


SECTION

TYPE A MANHOLE FRAME AND COVER (Scale: 1 1/2" = 1'-0")



SHOWN WITHOUT GRADE RING



SHOWN WITH GRADE RING

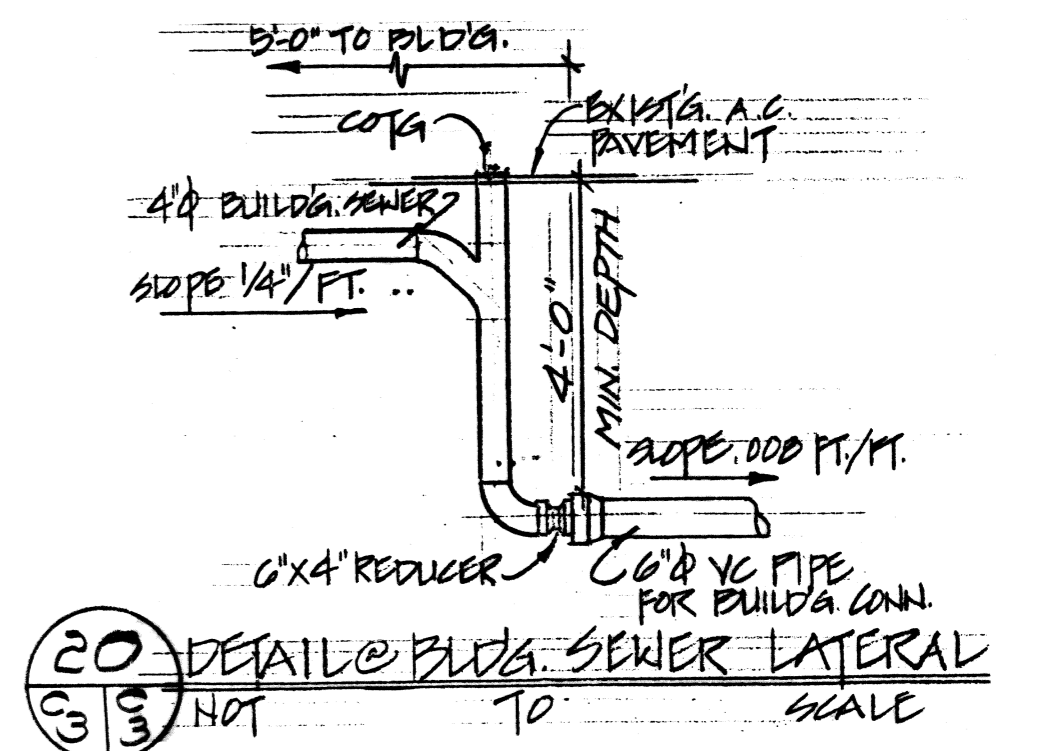
PRE-CAST MANHOLE DETAIL AT TOP RING (Scale: 3/4" = 1'-0")

6-3 SATISFACTORY TO TITLE DATE

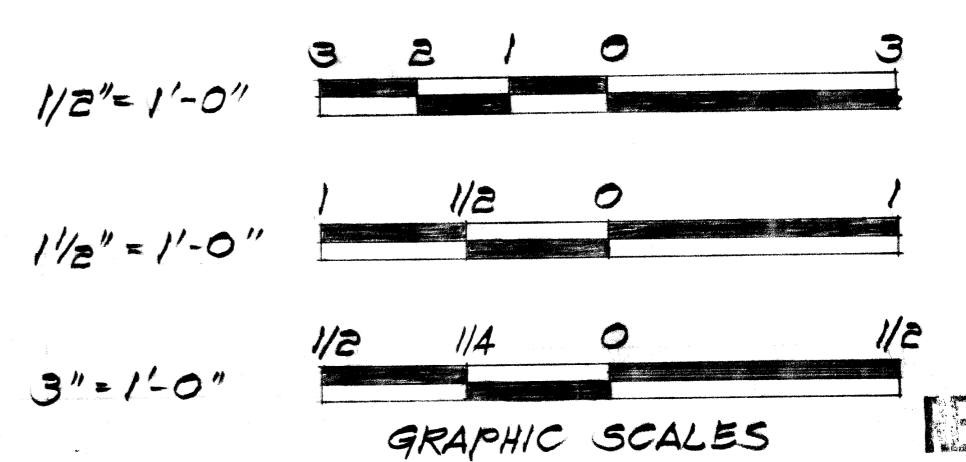
REVISIONS			
LTR	DESCRIPTION	DATE	APPROVED
AS BUILT		1 OCT 1959	AV

GENERAL NOTES: (CIVIL)

- CONTRACTOR SHALL VERIFY ALL EXISTING CONDITIONS AND DIMENSIONS PRIOR TO COMMENCEMENT OF WORK.
- CONTRACTOR SHALL VERIFY LOCATIONS OF ALL EXISTING UTILITIES WITH APPROPRIATE OWNERS PRIOR TO COMMENCEMENT.
- HORIZONTAL AND VERTICAL SURVEY CONTROLS ARE BASED ON "X" CUT ON CURB AT MIDWAY AND WRIGHT, ASSUMED ELEVATION = 100.00 AND NAIL IN PAVEMENT, ASSUMED AZIMUTH 0°00'.
- UTILITIES LOCATIONS WERE OBTAINED FROM NAVFAC DWGS 7002707 AND 7002718.



20 DETAIL OF BUILDING SEWER LATERAL (Scale: NOT TO SCALE)

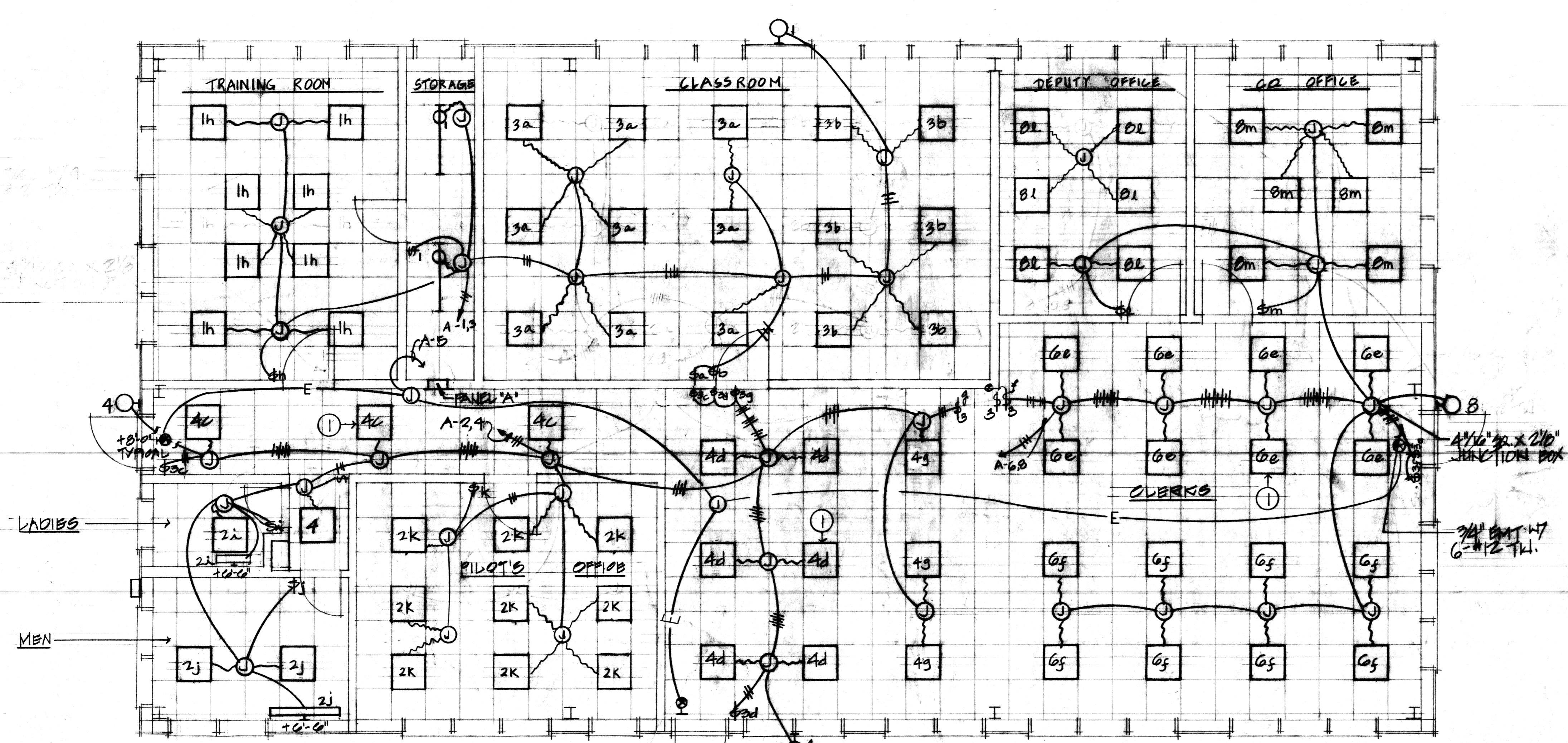


The Contractor will be responsible for coordinating the work among the various trades as necessary to avoid conflicts and to insure the installation of all work within the available space.

CIVIL	SHT OF	DEPARTMENT OF THE NAVY	NAVAL FACILITIES ENGINEERING COMMAND
DES PL/HK/JSK		PACIFIC DIVISION	MAKALAPA, HAWAII
DR BD		BARBERS POINT NAVAL AIR STATION, OAHU, HAWAII	
CHK HST		CONSTRUCT OPERATIONS	
DPPE SO		BUILDG - 147TH AVIATION CO.	
DR WEB H. H. H. 10 MAY 1959		25TH INFANTRY DIVISION	
DIRECTOR J. J. J. 6/11/59	DATE	SEWER AND WATER DETAILS	
APPROVED	DATE	SIZE	CODE IDENT NO.
		80091	7058018
FOR COMMANDER, NAVFAC	SCALE AS NOTED	CONSTR CONTR NO. N62471-84-C-1488	SHEET 3 OF 7

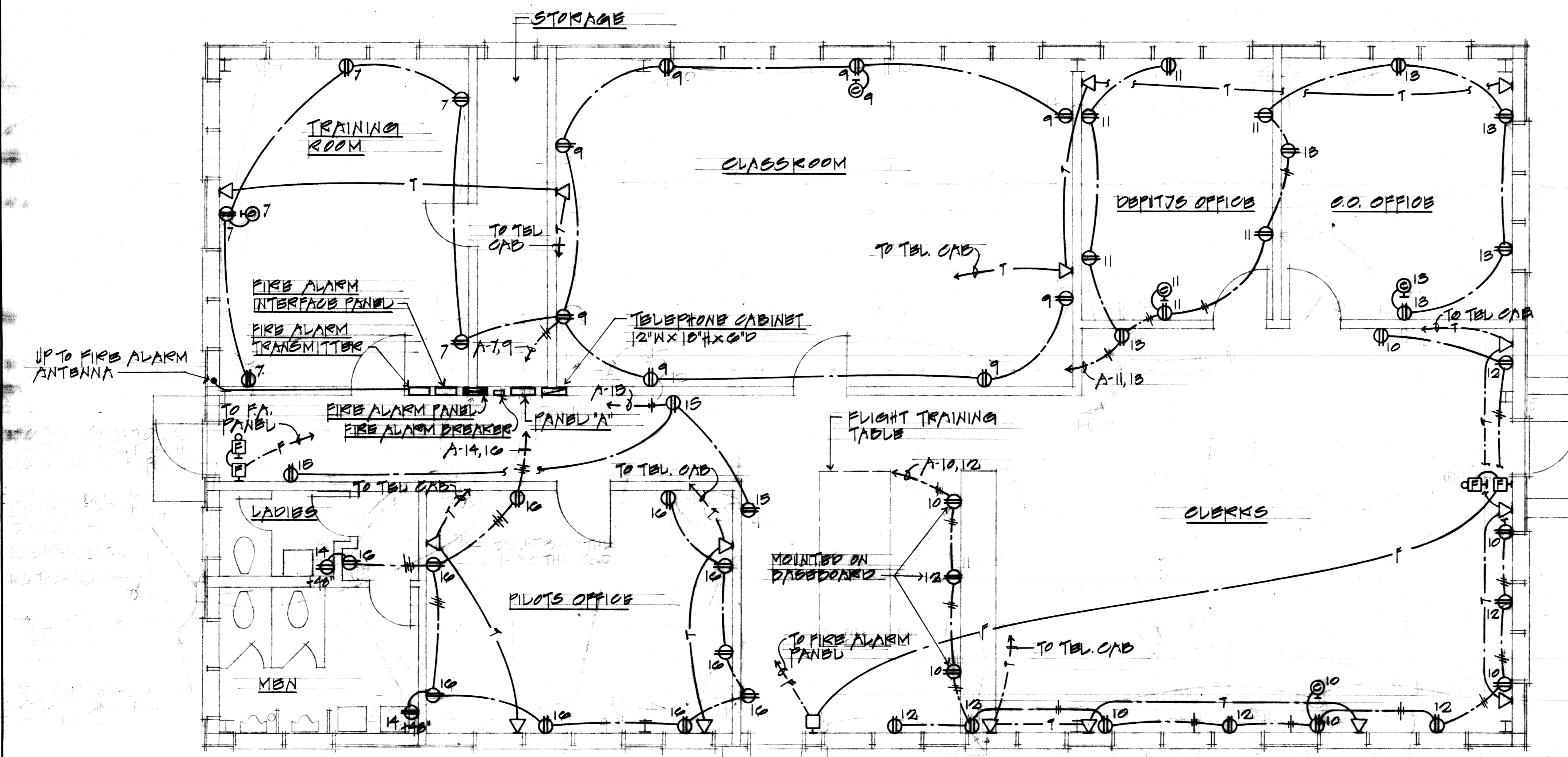
7058018

BLDg. 1903

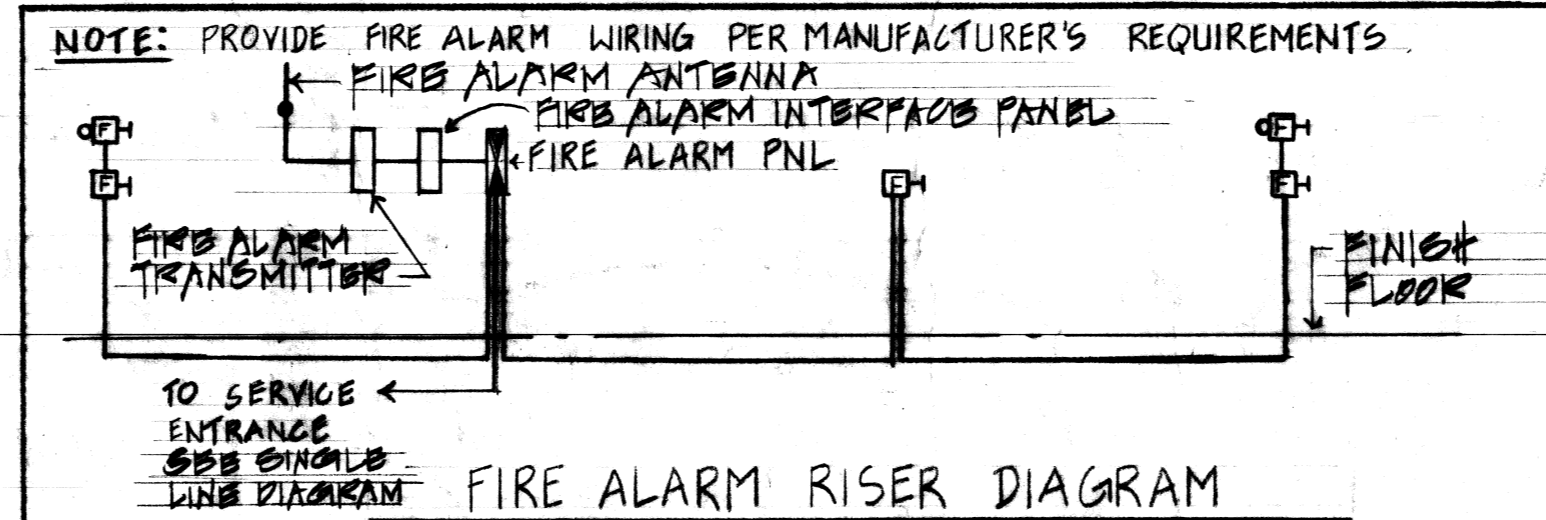


1 LIGHTING PLAN
SCALE: 1/4" = 1'-0"

NOTE:
 ① PROVIDE LIGHT FIXTURES WITH INTEGRAL BATTERY BACKUP.
 PROVIDE INDEPENDENT PHASE CONDUCTOR TO LIGHT FIXTURES FOR
 VOLTAGE SENSING.



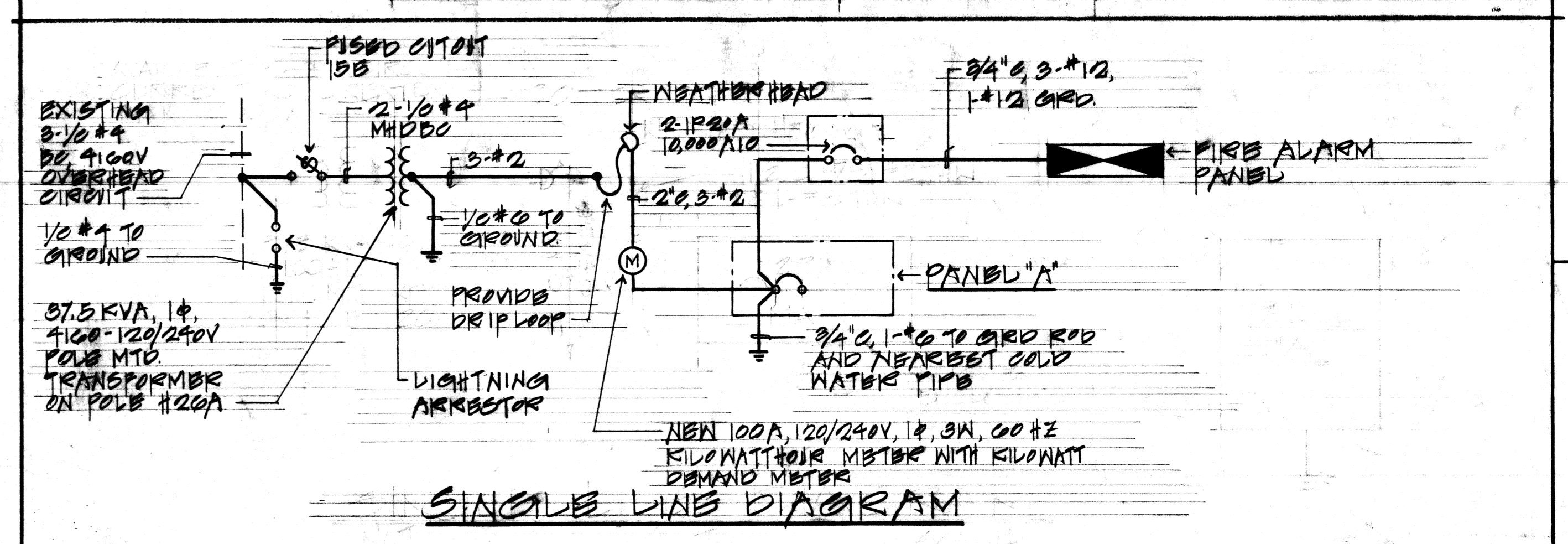
2 POWER PLAN
SCALE: 1/8" = 1'-0"



PANEL A

1-PHASE, 3-WIRE, SOLID NEUTRAL, 120/240V, 100A MAIN BREAKERS
 10,000 A.I.C., FLUSH MOUNTED

CIR. NO.	WIRE SIZE	CIR. BREAK	LOAD	CONNECTED LOAD (KVA)		LOAD	CIR. BREAK	WIRE SIZE	CIR. NO.
				L1	L2				
1	#12TH	20	12A TRAINING ROOM	1.1	1.3	12A MEN'S/PILOTS TRAINING	1	#10	2
3			CLASSROOM	1.5	1.4	PILOTS OFFICE CORK-ERS, FLIGHT PLAN	3	#10	4
5			EXIT	0.9	1.0	CLERK'S OFFICE	5	#12	6
7			RECEPT, TRAINING RM.	1.2	1.2	CO OFFICE	7	#10	8
9			CLERK'S ROOM	1.2	1.2	DEPUTY OFFICE	9	#10	10
11			DEPUTY OFFICE	1.2	1.2	RECEPT CLERK'S OFFICE	11	#10	12
13			CLERK'S OFFICE	1.2	1.2	MEN, LADIES RESTROOMS	13	#10	14
15			CORRIDORS	1.2	1.2	PILOTS OFFICE	15	#10	16
17			STAIRS	1.0	1.0	STAIRS	17	#10	18
19			FFD			FFD	19	#10	20
21							21	#10	22
23							23	#10	24
TOTAL CONNECTED LOAD (KVA)				9.3	9.2				
DEMAND FACTOR				0.52	0.52				* GROUND-FAULT INTERRUPTER
DEMAND LOAD/LINE (KVA)				4.836	4.784				CIRCUIT BREAKERS
TOTAL DEMAND LOAD (KVA)				9.62					



- LEGEND:**
- ②a 2' x 2', 2-LAMP RECESSED FLUORESCENT LUMINAIRE 120V, W/2-FLUO CW/6" RS FLUORESCENT LAMP & ACRYLIC PRISMATIC DIFFUSER. SEE SKETCH NO. 10510-3, TYPE A
 - ④ 4' 1-LAMP FLUORESCENT LUMINAIRE 120V, W/1-FAOTIZ CW/RS FLUORESCENT LAMP & ACRYLIC PRISMATIC DIFFUSER. SEE SKETCH NO. 10510-7, TYPE A
 - ④ 4' 2-LAMP FLUORESCENT WALL BRACKET, 120V, W/2-FAOTIZ W/RS FLUORESCENT LAMP, SEE SKETCH NO. 10510-4, TYPE 0
 - ④ 2' 2-LAMP FLUORESCENT WALL BRACKET, 120V, W/2-FAOTIZ W/RS FLUORESCENT LAMP, SEE SKETCH NO. 10510-9, TYPE A
 - ⊙ 70W, H.P.S. OUTDOOR WALL BRACKET W/1-70W HIGH PRESSURE SODIUM LAMP, THERMAL SHOCK RESISTANT DIFFUSER, PHOTO BUBBLE COATED, 120V, E.P.P. REGULATING BALLAST, DIE-CAST CORROSION RESISTANT ALUMINUM HOUSING, COMPLETELY GASKETED. SEE SKETCH NO. 10510-25, TYPE A
 - ⊙ 4' x 6' x 1 1/2' JUNCTION BOX, MOUNTED ABOVE CEILING UNLESS OTHERWISE NOTED.
 - ⊙ 2P, 3W, 15A, 120V, GROUNDING TYPE DUPLEX RECEPTACLE W/ UNLESS OTHERWISE NOTED.
 - ⊙ CLOOR OUTLET.
 - ⊙ 1P, 15A, 120V, SWITCH "A" TAG
 - ⊙ 2-KAY 15A, 120V, SWITCH TAG
 - RACEWAY AND WIRING CONCEALED ABOVE FINISH FLOOR
 - METALLIC FLEXIBLE CONDUIT
 - RACEWAY AND WIRING CONCEALED BELOW FINISH FLOOR
 - ⊙ EXIT LIGHT, SEE SKETCH NO. 10510-10 TYPE A, PROVIDE WITH INTEGRAL BATTERY BACKUP.
 - ⊙ FIRE ALARM MANUAL PULL STATION
 - ⊙ FIRE ALARM AUDIO-VISUAL SIGNAL DEVICE

NOTE: ANY CIRCUIT WITH NO FURTHER DESIGNATION INDICATES A TWO WIRE CIRCUIT. CIRCUITS WITH ADDITIONAL WIRES ARE INDICATED AS FOLLOWS: # 3 WIRES; # 4 WIRES; ETC. GROUND WIRE IS NOT SHOWN BUT SHALL BE RUN IN EVERY CONDUIT.

AS BUILT 1 OCT 1995

SECOND DRAWING
DATE 1 OCT 1995

ELEC. SHT 6 OF 7
 DES: C. FUKUDA / DY
 OR: R. BEKALA
 CHK: SNW
 DATE: 6/10/95
 APPROVED: [Signature] DATE: 6/10/95

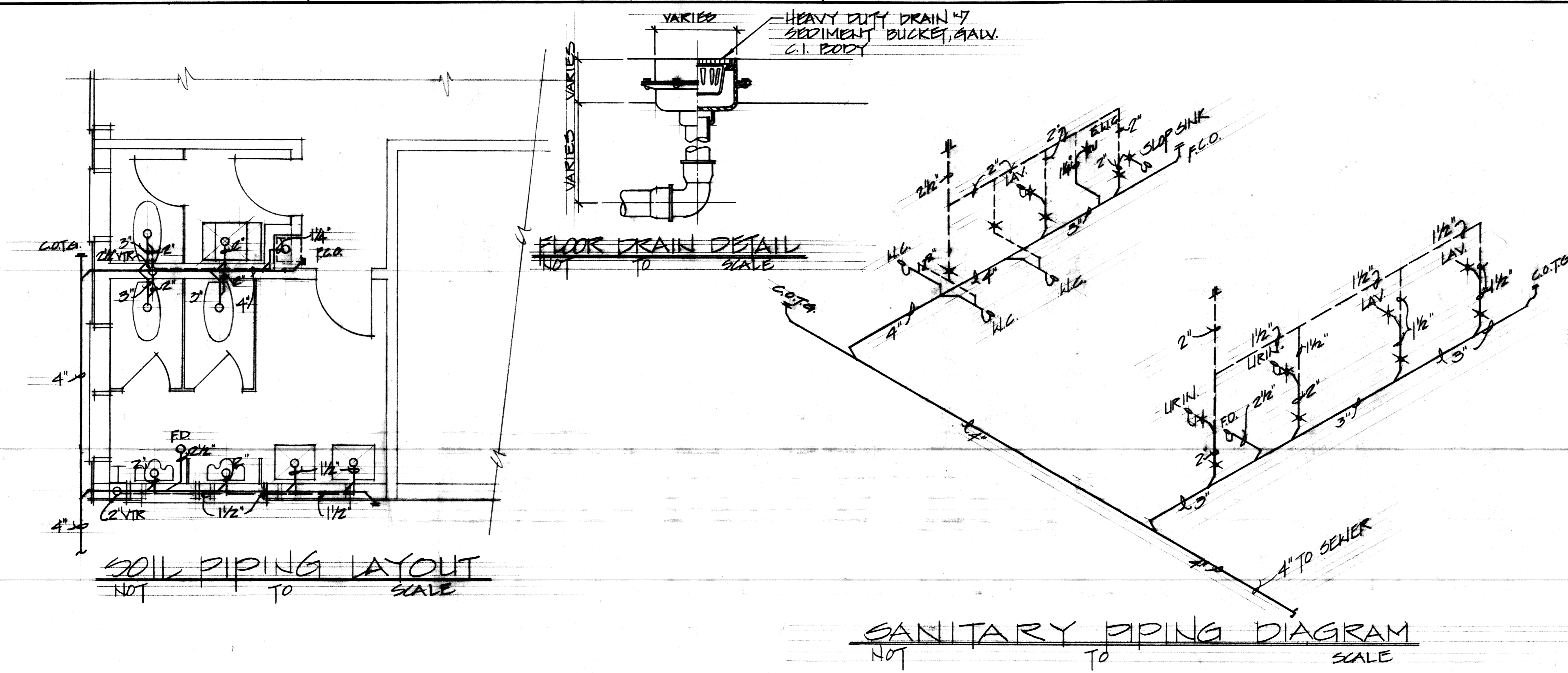
DEPARTMENT OF THE NAVY
 NAVAL FACILITIES ENGINEERING COMMAND
 PACIFIC DIVISION
 HAWAII
 BARBERS POINT NAVAL AIR STATION
 CONSTRUCTION OPERATIONS
 BUILDG - 147 IN AVIATION CO.
 25th INFANTRY DIVISION

POWER AND LIGHTING PLANS, SINGLE LINE DIAGRAMS, LEGENDS AND NOTES

80091
 7058021
 CONSTR. CONTR. NO. N0241-04-C-H33
 SPEC. H-24-488 SHEET 6 OF 7

7058021

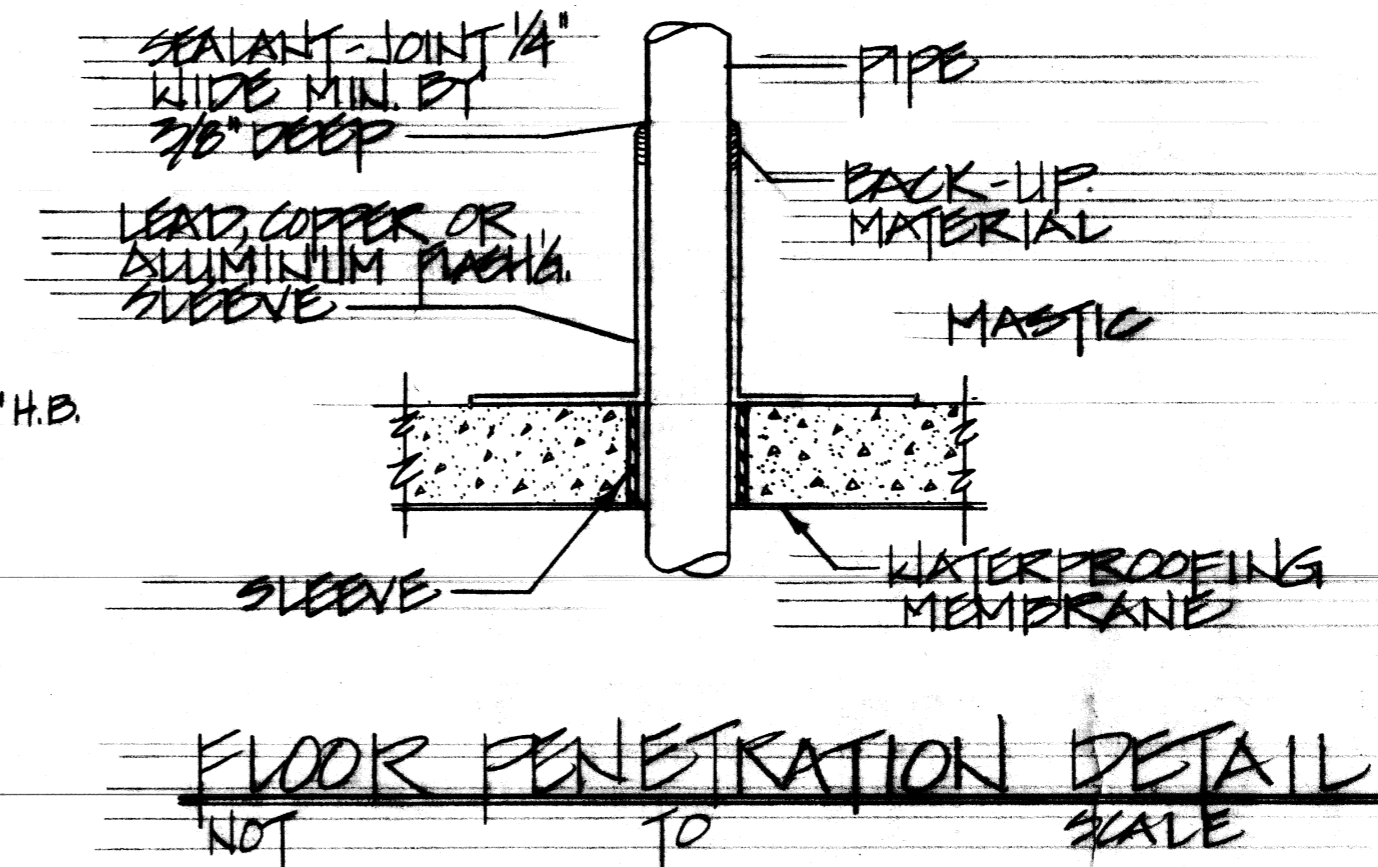
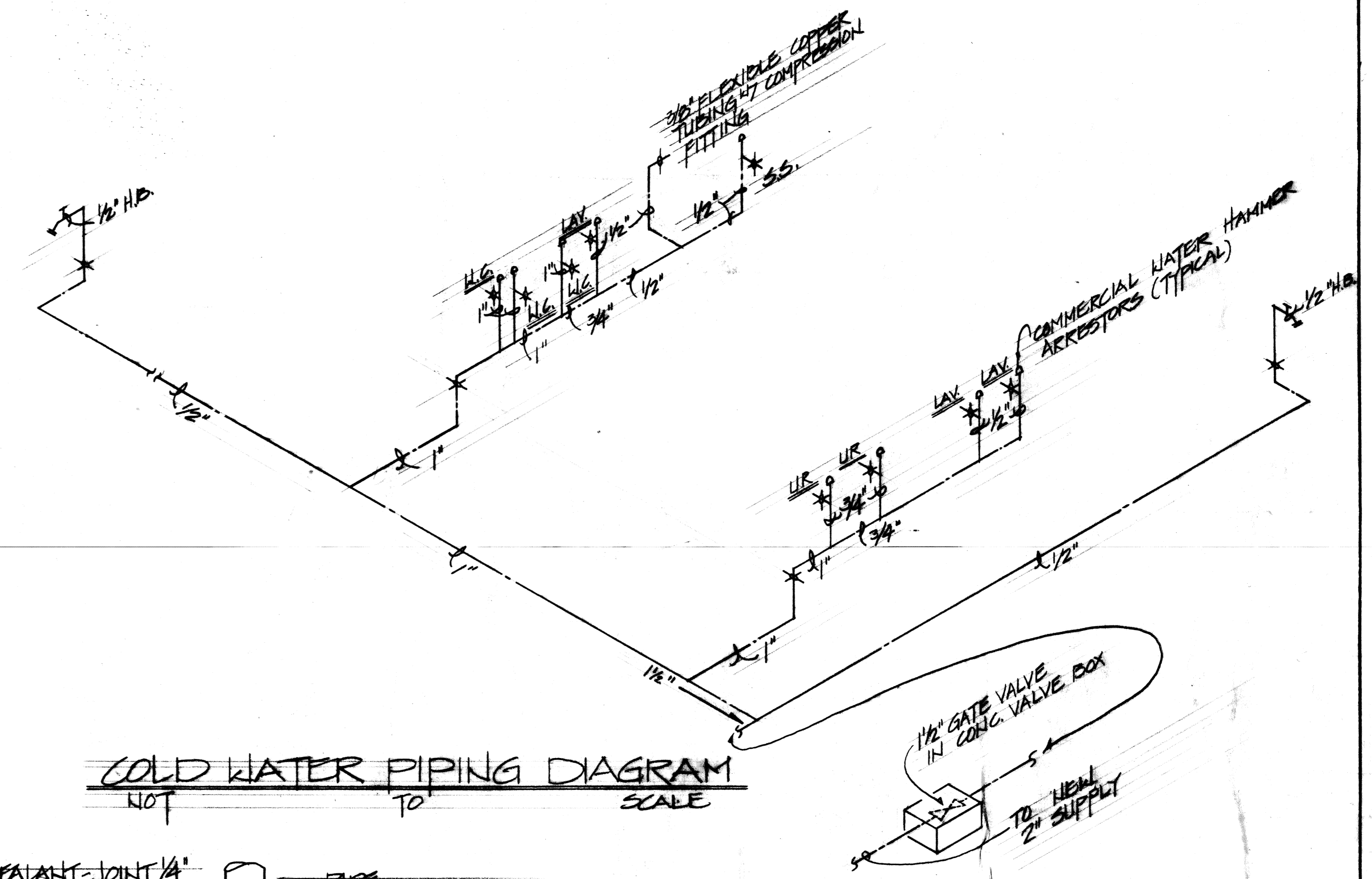
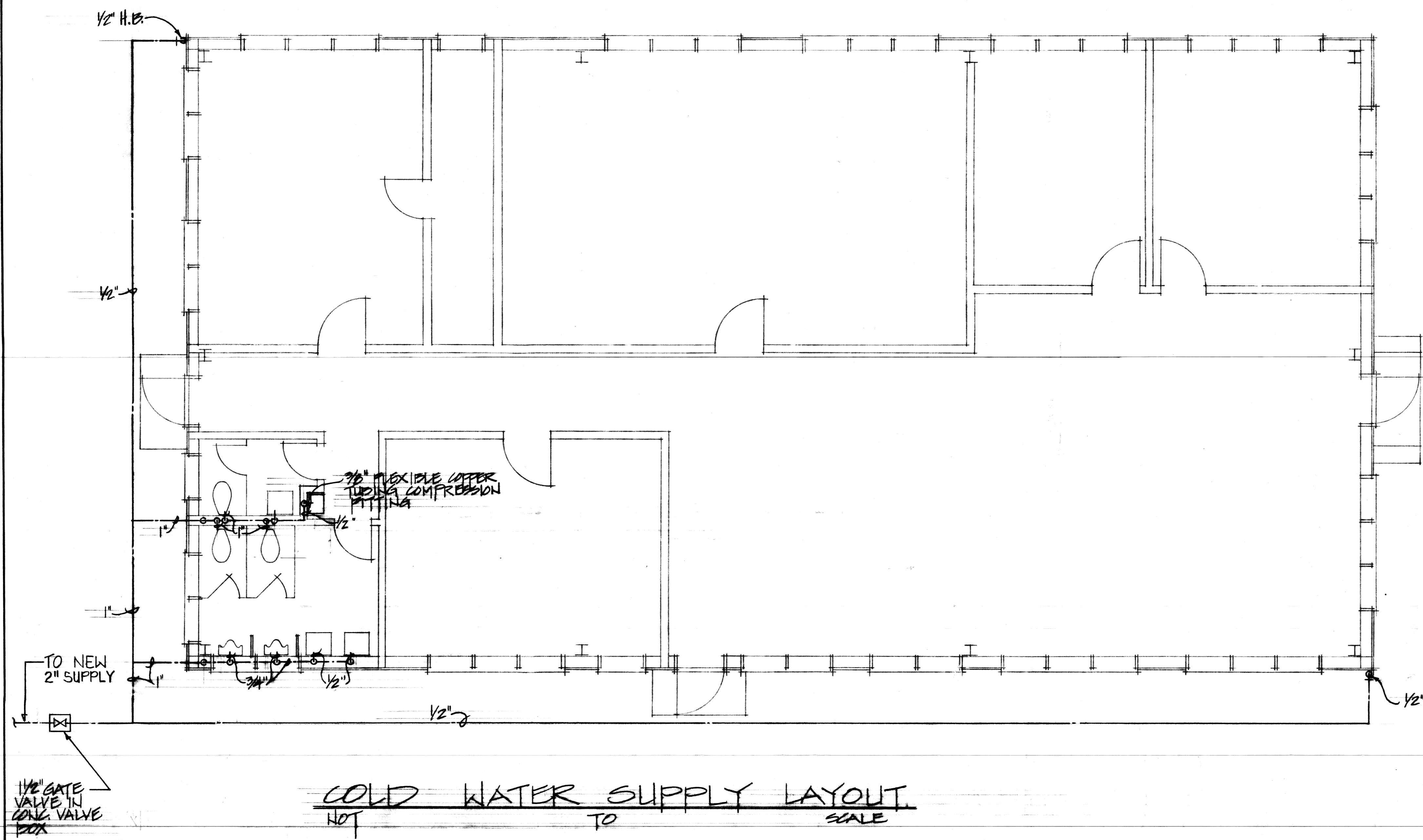
BLDG. 1903



SITE PLAN
SCALE: 1" = 60'

GENERAL NOTES:

1. ALL ITEMS ARE NEW UNLESS OTHERWISE NOTED.
2. HOSE PIPES AND STAND PIPES SHALL BE STRAPPED TO ADJACENT STRUCTURES.
3. ELECTRIC WATER COOLER SHALL BE SELF-CONTAINED, FLOOR MOUNTED, MECHANICALLY REFRIGERATED AND SHALL CONFORM TO ARI STANDARD 1010. ELECTRIC WATER COOLER SHALL USE ONE OF THE HALOGENATED HYDROCARBONS AS REFRIGERANT AND SHALL HAVE A MINIMUM CAPACITY OF 10GPH RATED AT STANDARD CONDITIONS.
4. VENT STACK PENETRATION THRU ROOF SHALL BE COVERED BY MANUFACTURER'S RECOMMENDATIONS AND SHALL BE MADE WATER-TIGHT. MATERIALS FURNISHED UNDER THIS SPECIFICATION SHALL BE STANDARD PRODUCTS AND SHALL BE MANUFACTURER'S LATEST STANDARD DESIGN THAT COMPLIES WITH SPECIFICATION REQUIREMENTS.



The Contractor will be responsible for coordinating the work among the various trades as necessary to avoid conflicts and to insure the installation of all work within the available space.

RECORD DRAWING
DATE 1 OCT 1995

SHT OF		DEPARTMENT OF THE NAVY NAVAL FACILITIES ENGINEERING COMMAND	
DES C. CHO		PACIFIC DIVISION	
CHK K. OGAWA		HAKALELA, HAWAII	
DRN H. K.		BANDERS POINT NAVAL AIR STATION OAHU, HAWAII	
DPR S. D.		CONSTRUCT OPERATIONS	
DR MGR M. KAWAMA		BUILDG - 147 TH AVIATION CO.	
DIRECTOR		25 TH INFANTRY DIVISION	
APPROVED	DATE	SIZE	CODE IDENT NO.
<i>[Signature]</i>	6/1/95	80091	7058022
FOR COMMANDER, NAVFAC		SCALE AS SHOWN	SHEET 7 OF 7

M-1 SATISFACTORY TO DATE

7058022

BLDG. 1903